

Model 962/963 HARVEST HEADER PARTS CATALOG

HEADER

MAIN FRAME, LIGHTS & ATTACHMENTS	2,3
HEADER STANDS	4,5
DRAPER DRIVE HYDRAULICS.....	6,7
REEL LIFT AND DRIVE HYDRAULICS: 30' HEADER	8,9
REEL LIFT AND DRIVE HYDRAULICS: 36' HEADER	10,11
DRIVE SHAFT ASSEMBLY.....	12,13
SICKLE AND DRIVE	14,15
SICKLE DRIVE BOX	16,17
DRAPERS & CARRIER DECKS	18,19
DRAPER ROLLERS & TIGHTENER GROUP	20,21
REEL DRIVE & SUPPORT ARMS	22 - 25
BAT REEL	26,27

OPTIONS & ACCESSORIES

HYDRAULIC REEL FORE-AFT: 30'	28,29
HYDRAULIC REEL FORE-AFT: 36'	30,31
GAUGE WHEEL / TRANSPORT OPTION	32 - 35
GAUGE WHEELS (NO TRANSPORT)	36,37
SKID SHOES.....	38

COMPLETION PACKAGES

WINDROWER ADAPTER GROUP: 9000 Series & Center Mount Bi-Directional Adapter	39
DRIVELINE: 9000 Series Windrowers, 960 Combine Adapter, Bi-Directional Adapters	40,41

DECALS, REFLECTORS & PAINT	42,43
---	-------

NUMERICAL LIST	44 - 47
-----------------------------	---------

SUGGESTED STOCKING LIST	48,49
--------------------------------------	-------

ABBREVIATIONS:

L/H - left hand (Determined from Operator's position,
R/H - right hand facing forward.)
I.D. - inside diameter
O.D. - outside diameter
A/R - as required (quantity varies with header size)
REF - reference, part number called up elsewhere in catalog
NC - national coarse thread
NF - national fine thread
NSS - not serviced separately

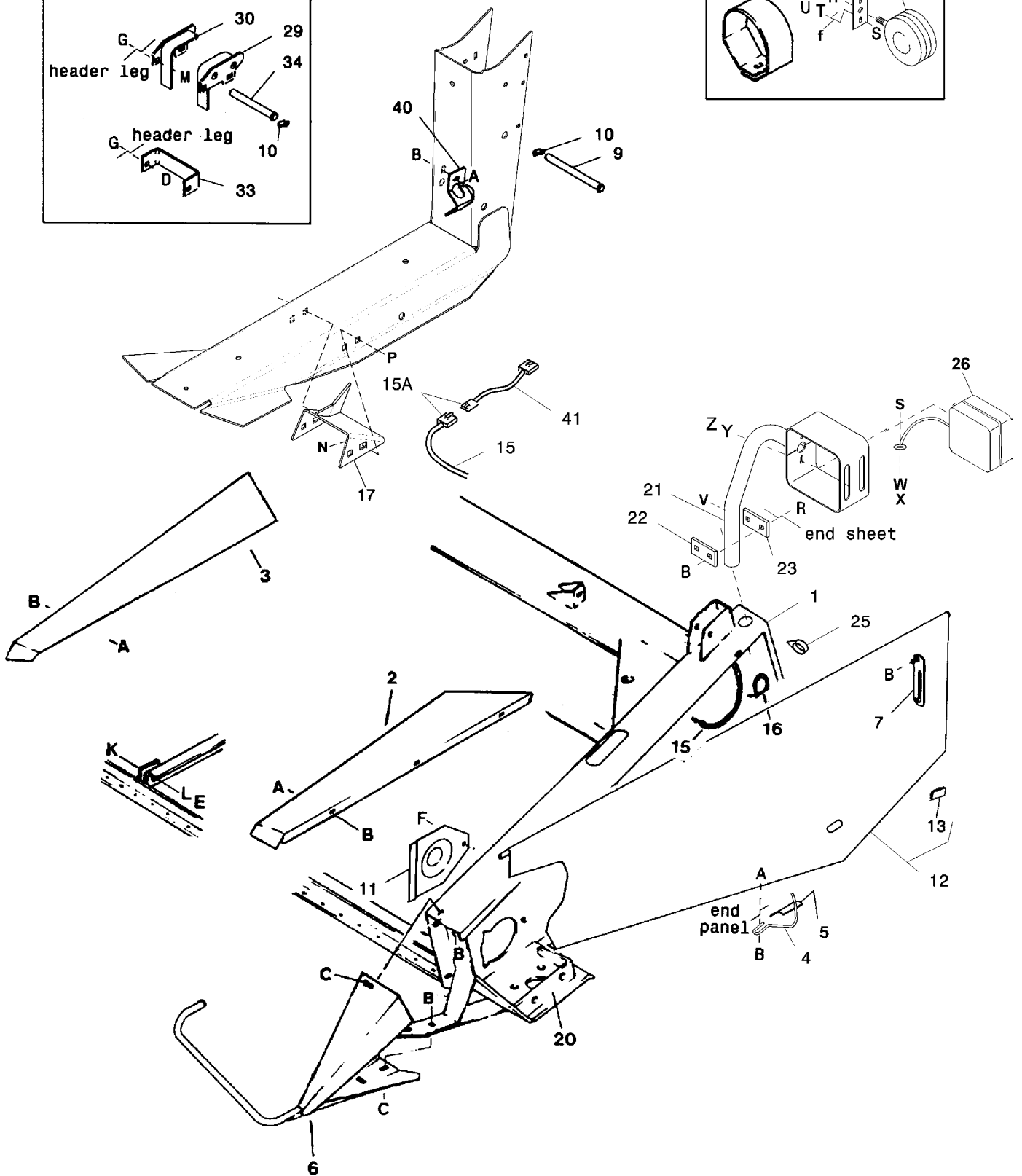
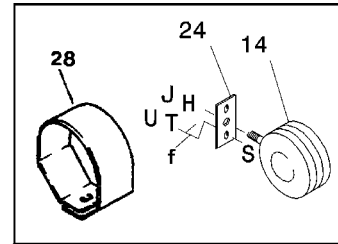
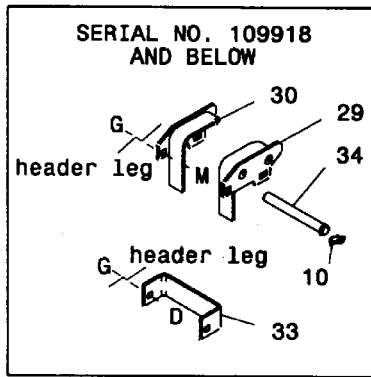
NOTE: Common hardware is not illustrated. Alphabetic references are used to designate position and description of these items.
When ordering, be sure the complete and proper serial number is given. Some parts vary with header size; be sure you are ordering the correct number for your header.

SERIAL NUMBER BREAKS:

Example: -115999 Used on machines up to and including serial number 115999.
 116000- Used on machines including and after serial number 116000.

BOLDDED PART NUMBERS INDICATE REVISIONS OR ADDITIONS SINCE LAST PRODUCTION YEAR.

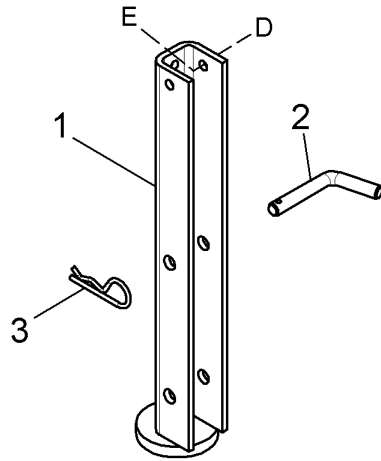
MAIN FRAME, LIGHTS & ATTACHMENTS



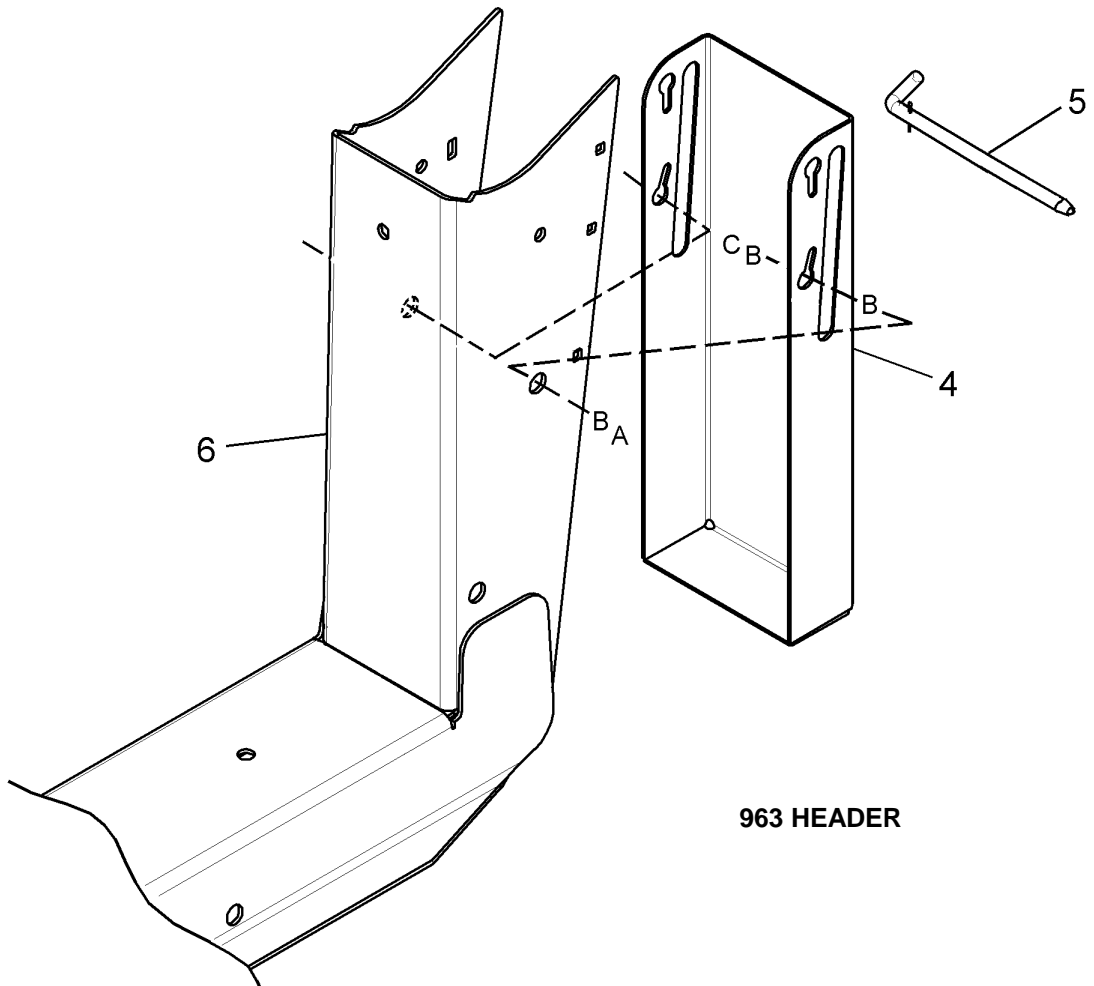
MAIN FRAME, LIGHTS & ATTACHMENTS

REF	PART NUMBER	DESCRIPTION	QTY	SERIAL NUMBER	
1	REF	FRAME - main, not serviced	1		
	32891	BAR - guard, repair piece 1500 mm long (5 ft.)			
	32892	TUBE - back, repair piece 1500 mm long (5 ft.)			
	43261	SUPPORT - sliding deck, repair piece 1590 mm long (5.3 ft.)			
	32893	CUTTERBAR - repair piece 1500 mm long (5 ft.)			
2	49076	DEFLECTOR - left side	1		
3	101019	DEFLECTOR - right side	1		
4	49661	CATCH ROD	1	109919-	
5	49660	HANDLE - shield catch	1	109919-124499	
6	38740	SHOE - divider, left	1		
	38741	SHOE - divider, right	1		
7	47876	BAR - adjusting, L/H shield	1		
9	49342	PIN - clevis, 3/4 x 8 inch effective length	2		
10	50193	PIN - lynch	2		
11	37367	SHIELD - wobble box	1	-115999	
	102509	SHIELD - wobble box	1	116000-	
12	114127	SHIELD - left side, with decal & seals (does not include rainbow or ID decals)	1		
13	25059	SEAL - sponge	3		
14	16539	LIGHT - amber	2	-131619	
15	43101	HARNESS - wiring, 30 ft. Double Delivery	1		
	43102	HARNESS - wiring, 36 ft. Double Delivery	1		
15A	31062	CONNECTOR KIT - 3-way, includes male and female plugs			
16	16661	FASTENER - nylon tie	A/R		
17	119020	GUIDE – lower link, L/H, for 963 combine header	1		
	119023	GUIDE – lower link, R/H, for 963 combine header	1		
20	114027	SUPPORT - sickle drive box (welded)	1		
		NOTE: Also required - 32926 Welding Jig - TO BE RETURNED			
21	113471	SUPPORT – amber light, left	1	124500-	
	113473	SUPPORT – amber light, right	1	124500-	
22	113474	PLATE – steel, light support	2	124500-	
23	113475	PLATE – plastic, light support	2	124500-	
24	116035	ADAPTER – light support	2	124500-131619	
25	30542	CLIP - nylon, for wiring harness	A/R	-131619	
26	113511	LIGHT – amber, c/w hardware	2	131620-	
28	43711	GUARD - light	2	-124499	
29	100766	SUPPORT - left (mounts to upper member of header leg)	2	-109918	
30	100549	SUPPORT - right (mounts to upper member of header leg)	2	-109918	
33	100399	CHANNEL - front stop (mounts to lower member of header leg)	2	-109918	
34	100765	PIN - clevis, 3/4 x 6-1/4 inch effective length	2	-109918	
40	103239	RETAINER - left upper, 962 with 871/872 Combine Adapter	1	109919-	
	103240	RETAINER - right upper, 962 with 871/872 Combine Adapter	1	109919-	
41	REF	HARNESS – wiring, adapter, see Combine Adapter Parts Catalog	1		
A	21863	BOLT - rnd hd, sq nk, 3/8 NC x 3/4 "	N	18523	BOLT – rnd hd, sq nk, 5/8 NC x 1-1/2"
B	30228	NUT - lock, smth flg, 3/8" NC dist thd.	P	50225	NUT – lock, smth flg, 5/8 NC dist. thd.
C	19965	BOLT - rnd hd, sq nk, 3/8 NC x 1"	R	21478	BOLT - rnd hd, sq nk, 3/8 NC x 2-1/2"
D	21469	BOLT - rnd hd, sq nk, 1/2 NC x 1-1/2"	S	30242	BOLT - rnd hd, sq nk, 1/4 NC x 5/8"
E	18669	NUT - lock, 3/8 inch NC dist. thread	T	18635	WASHER – lock, 1/4 inch
F	21821	BOLT - flange head, 3/8 NC x 3/4 inch	U	18588	NUT – hex, 1/4 NC
G	50186	NUT - lock, smth flg, 1/2 NC dist thd.	V	50124	SCREW – hex washer head, 5/16 x 1/2 thread cutting
H	18638	WASHER - lock, 1/2 inch			WASHER – internal tooth lock, 1/4 NC
J	6771	NUT - hex, 1/2 inch NF	W	113757	NUT – hex, lock, 1/4 NC, dist. thd.
K	20077	BOLT - hex head, 3/8 NC x 1 inch	X	18724	NUT – hex, M5 x 0.8
L	18637	WASHER - lock, 3/8 inch	Y	30506	NUT – lock, M5 x 0.8
M	21066	BOLT - rnd hd, sq nk, 1/2 NC x 1 inch	Z	109126	

HEADER STANDS



962 HEADER



963 HEADER

HEADER STANDS

REF	PART NUMBER	DESCRIPTION	QTY	SERIAL NUMBER
1	43648	STAND – 962 header, 30' w/o gauge wheels.....	1	
2	13747	PIN - "L"	1	
3	13125	PIN - hair	1	
4	119009	STAND – 963 header, outboard legs	2	
5	43633	PIN – “L”, c/w roll pin.....	2	
	16266	PIN – roll, for pin 43633.....	2	
6	REF	LEG - 963 harvest header, outer	NSS	
A	30512	BOLT – hex head, 3/4 NC x 2 inch		
B	18601	WASHER – flat, 13/16 I.D.		
C	18689	NUT – lock, hex, 3/4 NC, distorted thread		
D	21567	BOLT – hex head, 3/8 NC x 3/4 inch		
E	30228	NUT – lock, smooth flange, 3/8 NC, distorted thread		

DRAPER DRIVE HYDRAULICS

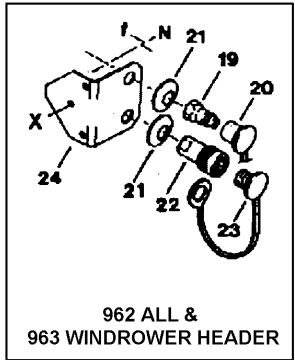
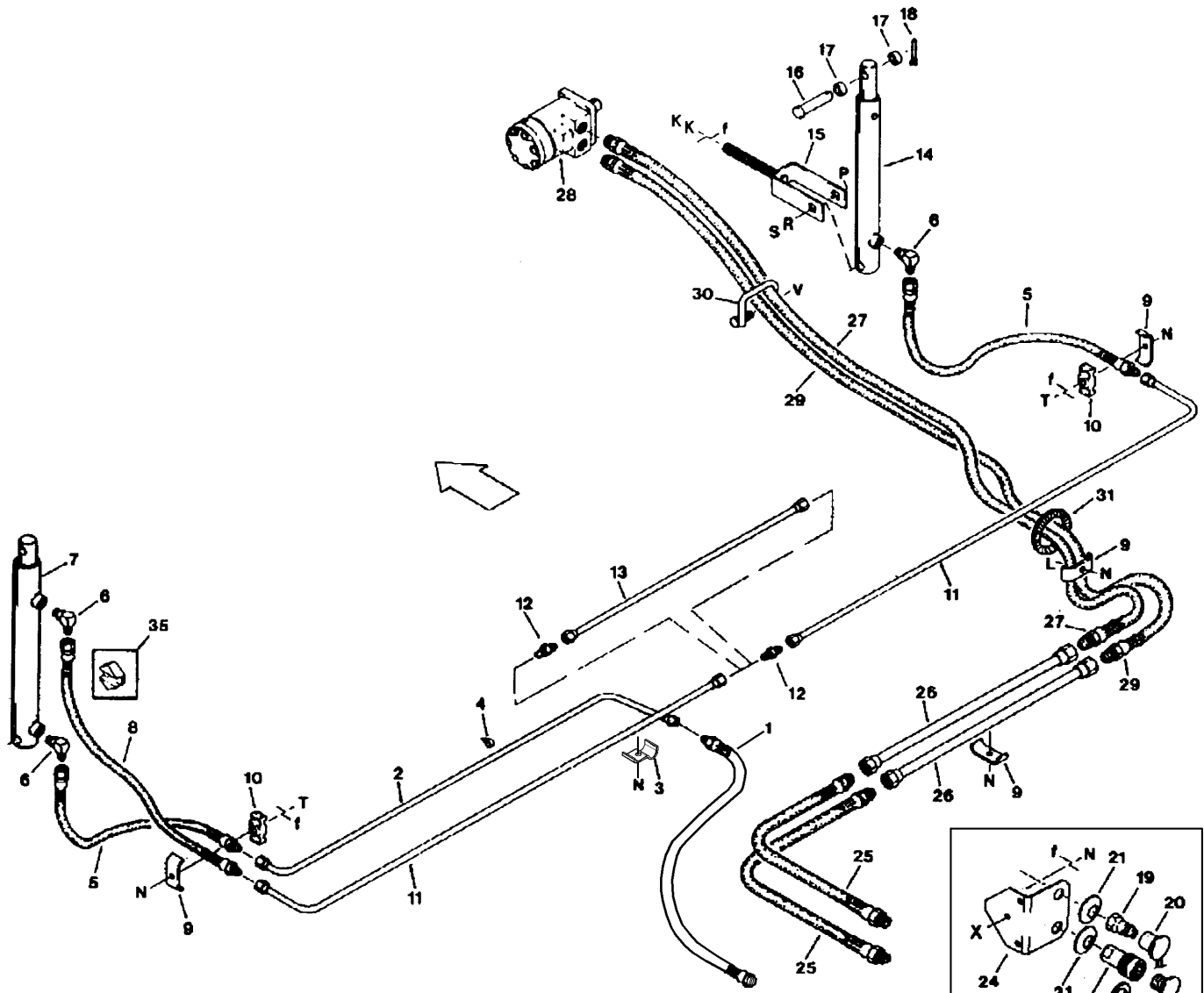
REF	PART NUMBER	DESCRIPTION	QTY	SERIAL NUMBER
1	21857	COUPLER – female, 962 all, and 963 windrower headers only	1	
	50082	O-RING - for coupler 21857		
2	43672	LINE - hydraulic, to and from left outboard draper motor - 30' header.....	2	
	43671	LINE - hydraulic, to and from left outboard draper motor - 36' header.....	2	
3	43615	HOSE - outboard draper motor, with O-ring.....	4	
	44210	O-RING - 7/8 inch, hose to motor connection		
4	101916	LINE - hydraulic, to and from right outboard draper motor - 30' header.....	2	
	43667	LINE - hydraulic, to and from right outboard draper motor - 36' header.....	2	
5	43624	HOSE - to left outboard draper motor, 962 combine header only	1	
	116034	HOSE – to left outboard draper motor, 963 combine header only	1	
6	101919	HOSE - from left draper motor to right draper motor	1	
7	102176	HOSE - draper flow return, 962 all, and 963 windrower header only	1	
	116032	HOSE – draper flow return, 963 combine header only	1	
8	43768	HOSE - to left inboard draper motor.....	1	
9	101917	HOSE - from left inboard draper motor	1	
10	32225	HOLDER - hose	see note (1)	
11	37167	HOLDER - hose, plastic	see note (2)	
12	21855	COUPLER – male, 962 all, and 963 windrower headers only	1	
13	50103	FITTING - 45° elbow, 7/8 O-ring x 7/8 JIC, inboard draper motors	4	
14	30558	FITTING - union, 5/8 tube, outboard assembly.....	2	
15	REF	MOTOR - draper drive, see page 21	2	
16	114195	HOLDER – hose.....	1	
A	50197	BOLT - round head, square neck, 3/8 NC x 1-3/4 inch		
B	30228	NUT - lock, smooth flange, 3/8 NC distorted thread		
C	19965	BOLT – round head, square neck, 3/8 NC x 1 inch		

NOTES:

(1)- Quantities:Motors Outboard - 30' = 8, 36' = 10 / Motors Inboard = 4

(2)- Quantities:Motors Outboard - 30' = 7, 36' = 9 / Motors Inboard = 3

REEL LIFT & REEL DRIVE HYDRAULICS - 30'



REEL LIFT & REEL DRIVE HYDRAULICS - 30'

REF	PART NUMBER	DESCRIPTION	QTY	SERIAL NUMBER
1	36849	HOSE – extension, to reel lift line, 963 combine headers only	1	
	43626	HOSE – extension, to reel lift line, 962 windrower header & 963 windrower header	1	
	43629	HOSE – extension, to reel lift line, 962 combine headers only	1	
2	43853	LINE - reel lift, to left cylinder: 30'	1	
3	29934	CLAMP - reel lift line.....	1	
4	30542	CLIP - nylon, hose	4	
5	32116	HOSE - reel lift cylinder	2	
6	30282	FITTING - 90° elbow, 9/16 O-ring x 3/8 tube	3	
7	118337	CYLINDER - double acting, reel lift (was 29169 or 113798).....	1	
	21494	SEAL KIT - for cylinder 29169, see note 1	1	-138024
	118157	SEAL KIT – for cylinder 113798 or 118337 , see note 1	1	138025-
	43802	PISTON - for cylinder 29169, 113798 or 118337 (also order proper Seal Kit)	1	
8	36849	HOSE – left reel lift cylinder.....	1	
9	32225	HOLDER - hose, steel.....	11	
10	37167	HOLDER - hose, plastic	2	
11	43661	LINE - reel lift, to cylinder	2	
12	30375	FITTING - 3/8 tube union	2	
13	43664	LINE - reel lift, connector: 30'	1	
14	29168	CYLINDER - single acting, reel lift.....	1	
	21495	SEAL KIT - for cylinder 29168	1	
15	37345	CLEVIS - cylinder adjusting.....	2	-115999
	103330	CLEVIS - cylinder adjusting, with bolt.....	2	116000-
16	18738	PIN - clevis, reel lift cylinder	2	
17	8640	SPACER - cylinder rod	4	
18	18648	PIN - cotter, 3/16 x 1-1/4 inch.....	2	
19	21855	FITTING - male quick coupler, 1/2 NPT, 962 all and 963 windrower header only	1	
20	21856	CAP - dust, for male coupler, 962 all and 963 windrower header only	1	
21	45153	WASHER – formed, 962 all and 963 windrower header only	2	
22	21857	FITTING - female quick coupler, 1/2 NPT, 962 all and 963 windrower header only..	1	
	50082	O-RING - for coupler 21857	1	
23	21858	PLUG - dust, for female coupler, 962 all and 963 windrower header only	1	
24	49109	HOLDER - hose coupler, 962 all and 963 windrower header only	1	
25	43630	HOSE - reel drive, 962 all and 963 windrower header only	2	
	100528	HOSE – reel drive, 963 combine header only	2	
26	37797	LINE - reel drive: 30'	2	
27	43612	HOSE - pressure to reel drive motor (top port)	1	
28	43011	MOTOR - reel drive, c/w key	1	
	2149	KEY - woodruff, SAE #15, for motor 43011.....	1	
	101670	SEAL KIT - for motor 43011 (was 43177)	1	
29	43612	HOSE - return from reel drive motor (bottom port)	1	
30	43597	GUIDE - reel drive hoses (not used with hydraulic reel fore-aft option)	1	
31	26671	CONDUIT - hose protector.....	2	
35	16568	RESTRICTOR - flow (to slow reel lift & drop rate, install in bottom port of item 7)	1	
K	18592	NUT - hex, 5/8 NC		
L	21484	BOLT - round head, square neck, 3/8 NC x 1-1/2 inch		
N	30228	NUT - lock, smooth flange, 3/8 NC distorted thread (962 headers only)		
P	30829	BOLT - round head, square neck, 5/8 NC x 3-1/2 inch		
R	18600	WASHER - flat, 21/32 inch ID		
S	18666	NUT - lock, 5/8 NC distorted thread		
T	50197	BOLT - round head, square neck, 3/8 NC x 1-3/4 inch		
V	18697	NUT - lock, 1/2 NC distorted thread		
X	21863	BOLT - round head, square neck, 3/8 NC x 3/4 inch (962 headers only)		

~ f REF Indicates where hardware passes through frame member.

NOTES:

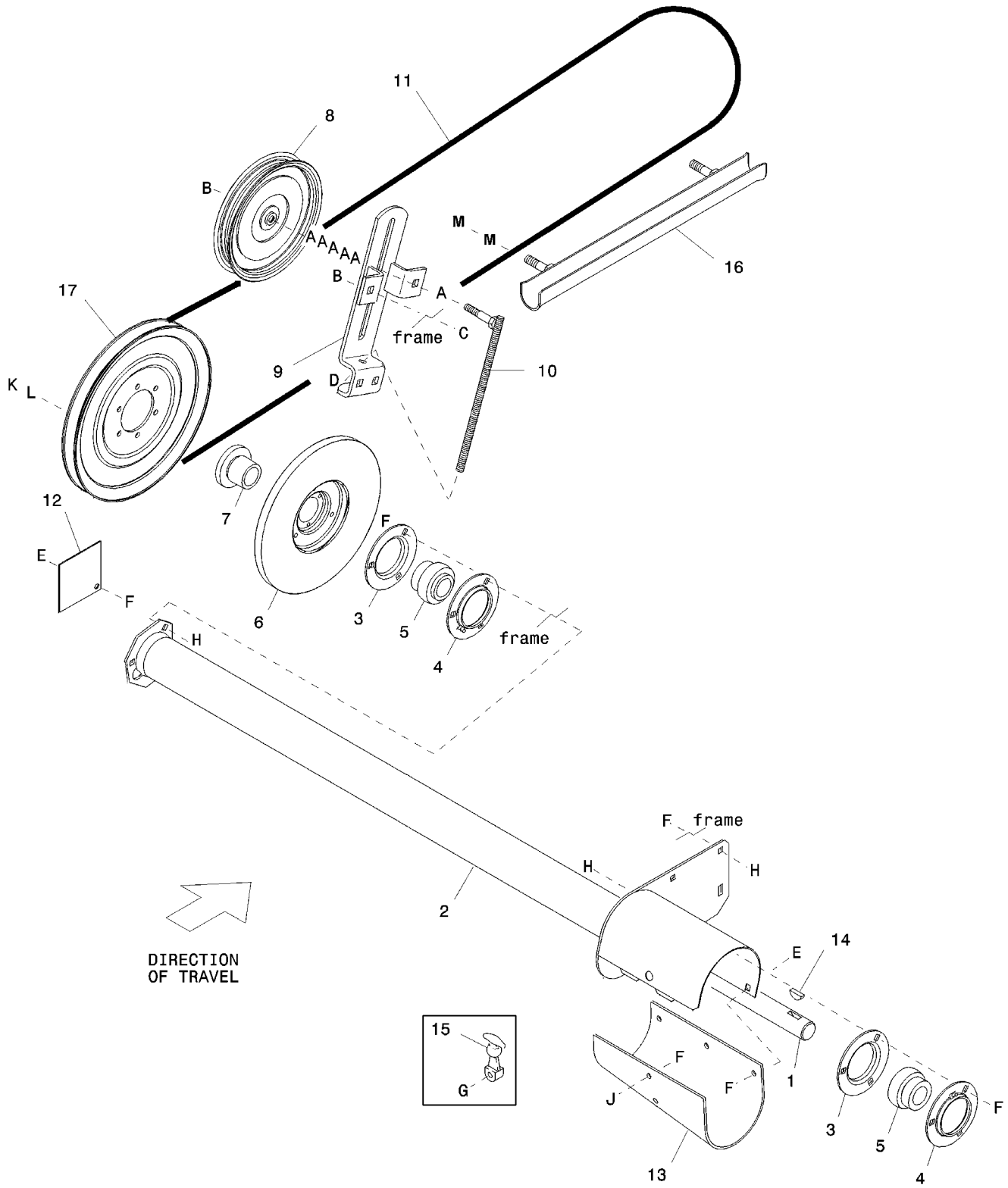
- When ordering seal kit for double acting cylinder (item 7), determine which kit you need as follows: Newer cylinders 113798 and **118337** are identified by an ID sticker marked with the part no. If your cylinder has this ID sticker, order seal kit 118157. If there is no ID sticker, order seal kit 21494.

REEL LIFT & REEL DRIVE HYDRAULICS - 36'

REF	PART NUMBER	DESCRIPTION	QTY	SERIAL NUMBER	
1	43626	HOSE – extension, to reel lift, 962 windrower header and 963 windrower header.....	1		
	43629	HOSE – extension, to reel lift, 962 combine headers only	1		
2	43640	HOSE - reel lift, to center cylinder	1		
3	37881	CONDUIT - hose protector	1		
4	113834	CYLINDER - double acting, center reel lift (was 32415), see notes 1 & 2.....	1		
	32416	SEAL KIT - for cylinder 32415 (with 5/8 hole in cyl. Rod)	1	-138024	
	113835	SEAL KIT – for cylinder 113834 (with 3/4 hole in cyl. Rod)	1	138025-	
	32417	PISTON – for cylinder 113834 or 32415 (also order proper seal kit).....	A/R		
5	37830	CLEVIS - center cylinder adjusting	1		
6	18667	PIN - clevis, 3/4 x 4-1/8 inch effective length	1		
7	103580	PIN - clevis, 5/8 x 3-3/4 inch effective length	1		
8	30282	FITTING - 90° elbow, 9/16 O-ring x 3/8 tube	4		
9	116009	HOSE - reel lift, from center cylinder	1		
10	43666	LINE - reel lift, from center cylinder	1		
11	30375	FITTING - 3/8 tube union	3		
12	43661	LINE - reel lift	3		
13	32116	HOSE - reel lift, to cylinder lower port.....	2		
14	118337	CYLINDER - double acting, R/H reel lift (was 29169 or 113798)	1		
	21494	SEAL KIT - for cylinder 29169, see note 2.....	1	-138024	
	118157	SEAL KIT – for cylinder 113798 or 118337 , see note 2	1	138025-	
	43802	PISTON - for cylinder 29169, 113798 or 118337 (also order proper Seal Kit)	1		
15	37345	CLEVIS - L/H and R/H cylinder adjusting	2	-115999	
	103330	CLEVIS - L/H and R/H cylinder adjusting, with bolt	2	116000-	
16	36849	HOSE - reel lift, from R/H cylinder upper port.....	1		
17	37167	HOLDER - hose, plastic.....	2		
18	32225	HOLDER - hose, steel	3		
19	43665	LINE - reel lift, connector	1		
20	29168	CYLINDER - single acting, L/H reel lift	1		
	21495	SEAL KIT - for cylinder 29168	1		
21	18738	PIN - clevis, 5/8 x 2-1/2 inch effective length	2		
22	8640	SPACER - cylinder rod	4		
23	21855	FITTING - male quick coupler, 1/2 NPT, 962 all and 963 windrower header	1		
24	21856	CAP - dust, for male coupler, 962 all and 963 windrower header	1		
25	102653	WASHER – formed, 962 all and 963 windrower header	2		
26	49109	HOLDER - hose couplers, 962 all and 963 windrower header	1		
27	116007	HOSE - reel drive.....	2		
28	43011	MOTOR - reel drive, with key.....	1		
	2149	KEY - Woodruff, SAE #15, for motor 43011	1		
	101670	SEAL KIT - for motor 43011 (was 43177).....	1		
29	21857	FITTING - female quick coupler, 1/2 NPT, 962 all and 963 windrower header	1		
	50082	O-RING - for coupler 21857	1		
30	21858	PLUG - dust, for female coupler, 962 all and 963 windrower header	1		
31	103820	HOSE - reel drive at motor.....	2	116000-	
32	16568	RESTRICTOR - flow (to slow reel lift & drop rate, install in bottom port of item 4) ...	1		
33	30553	FITTING - 90° elbow, 5/8 tube x 1/2 NPT, 962 all and 963 windrower header	2		
34	50022	CLIP - hose	1		
35	116010	CONDUIT – hose protector.....	1		
36	118131	SPACER – cylinder mount.....	1	138025-	
G	18601	WASHER - flat, 13/16 inch I.D.	P	18666	NUT - lock, 5/8 NC distorted thread
H	18648	PIN - cotter, 3/16 x 1-1/4 inch	R	50197	BOLT - rnd hd, sq. nk, 3/8 NC x 1-3/4 inch
J	101898	SCREW – flange head, self tapping, 3/8 x 5/8"	S	21470	BOLT - round head, sq neck, 3/8 NC x 2 inch
K	18592	NUT - hex, 5/8 NC	T	30228	NUT - lock, sm flange, 3/8 NC distorted thread
L	21345	NUT - hex jam, 5/8 NC	V	21863	BOLT - round head, sq. nk, 3/8 NC x 3/4 inch
M	30829	BOLT - round head, sq. nk, 5/8 NC x 3-1/2 inch	f	REF	Indicates where hardware passes through frame member.
N	18600	WASHER - flat, 21/32 inch I.D.			

- NOTES:** 1. If replacing cylinder 32415 (with 5/8" hole in cylinder rod) with cylinder 113834 (with 3/4" hole in cylinder rod) also order spacer item 36.
2. When ordering seal kits, determine which kit you need as follows: Newer cylinders 113834 (item 4) and 113798/118337 (item 14) are identified by an ID sticker marked with their part no. If your cylinder has this ID sticker, order seal kit 113835 (item 4) or 118157 (item 14). If there is no ID sticker, order seal kit 32416 (item 4) or 21494 (item 14).

DRIVE SHAFT ASSEMBLY

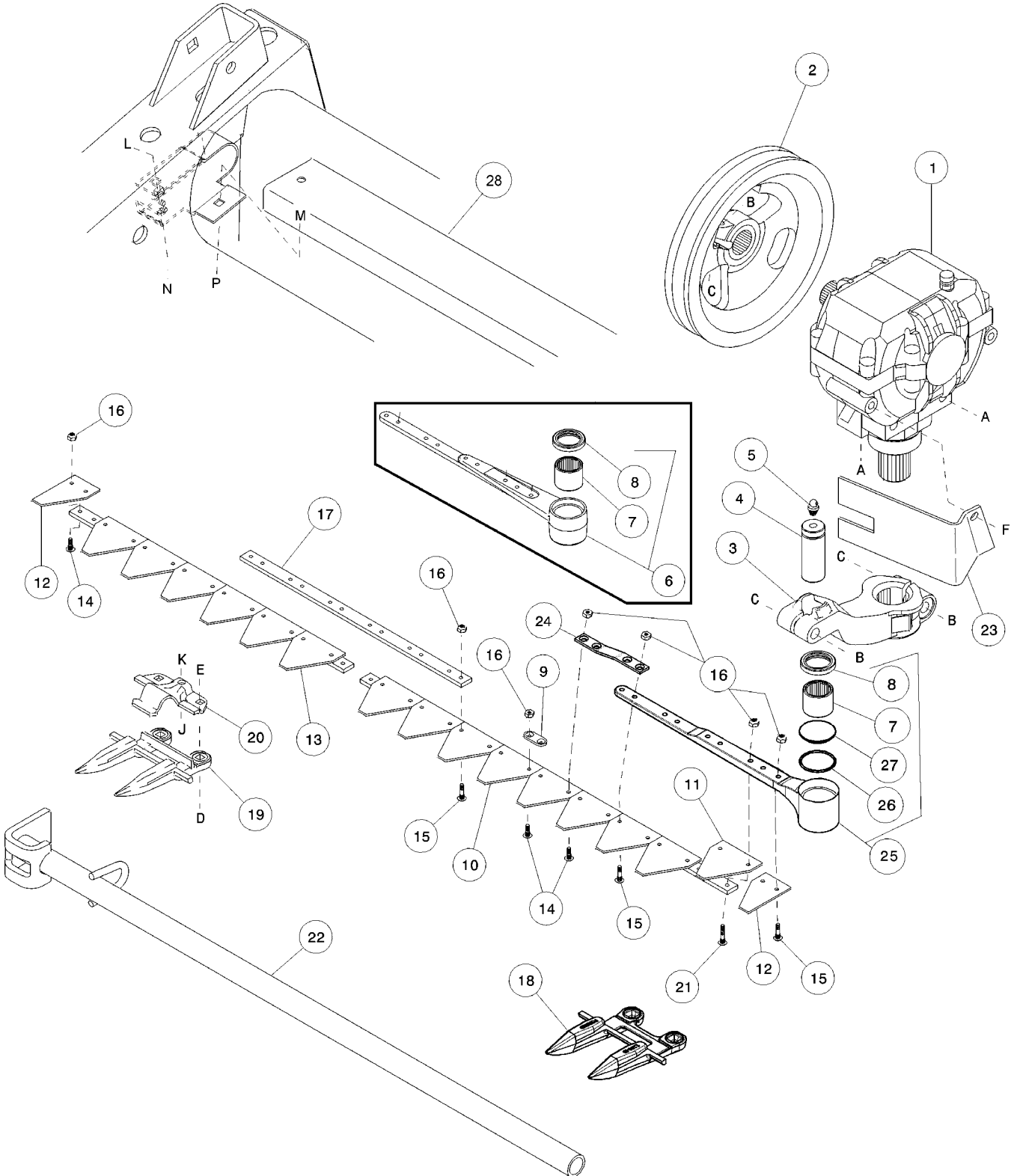


DRIVE SHAFT ASSEMBLY

REF	PART NUMBER	DESCRIPTION	QTY	SERIAL NUMBER
	NOTE:	Assembly shown is for 871/872/873 Combine Adapter or 801 Bi-Directional Adapter. Assembly of parts is different when used with windrower tractor or 802 Bi-Directional Adapter. See 962 Operator's Manual 46446 or 963 Operator's Manual 147277.		
1	100554	SHAFT - sickle drive, 30' header.....	1	
	100556	SHAFT - sickle drive, 36' header.....	1	
2	100558	TUBE - shaft guard, 30' header.....	1	-115999
	103607	TUBE - shaft guard, 30' header.....	1	116000-124499
	116040	TUBE - shaft guard, 30' header.....	1	124500-
	100561	TUBE - shaft guard, 36' header.....	1	-115999
	103605	TUBE - shaft guard, 36' header.....	1	116000-124499
	116039	TUBE - shaft guard, 36' header.....	1	124500-
3	30602	FLANGE - bearing (qty. 3 for S.N. 109920-124499)	2	
4	30603	FLANGE - bearing, with lube fitting (qty. 1 for S.N. 109920-124499).....	2	
5	21936	BEARING - ball, with lock collar (qty. 3 for 36' header).....	2	
6	100039	PULLEY - sickle drive.....	1	
7	21934	BUSHING - split taper	1	
8	21862	PULLEY - back side idler	1	
9	100730	BRACKET - idler adjusting	1	
10	100737	ROD - threaded, with welded bolt.....	1	
11	114006	BELT - sickle drive (was 100232), windrower plus following combines:	1	
		John Deere, Case, Gleaner, New Holland		
	108222	BELT - sickle drive, Cat Lexion Combine only (was 108152)	1	
12	100655	PLATE - cover	1	
13	101794	SHIELD - rubber.....	1	-115999
	103554	SHIELD - rubber.....	1	116000-
14	11142	KEY - Woodruff, SAE #C	2	
15	38894	LATCH - rubber	1	
16	43965	GUIDE - belt	1	
		NOTE: Item 17 is used with 801 and 871/872/873 Adapters only		
17	100050	PULLEY - 13" O.D. - John Deere, Case and New Holland CR/CX Combines, 801 Adapter	1	
	100042	PULLEY - 11-1/2" O.D. - Gleaner & New Holland TR/TX Combines.	1	
	102836	PULLEY - 9-1/2" O.D. - Cat Lexion Combine	1	
A	18599	WASHER - flat, 17/32 inch I.D.		
B	50186	NUT - lock, smooth flange, 1/2 NC distorted thread		
C	21868	BOLT - round head, short square neck, 1/2 NC x 1 inch		
D	18591	NUT - hex, 1/2 NC		
E	21863	BOLT - round head, short square neck, 3/8 NC x 3/4 inch		
F	30228	NUT - lock, smooth flange, 3/8 NC distorted thread		
G	21561	BOLT - hex head, 3/8 NC x 1-1/2 inch		
H	19965	BOLT - round head, square neck, 3/8 NC x 1 inch		
J	21821	BOLT - flange head, 3/8 NC x 3/4 inch		
K	20077	BOLT - hex head, 3/8 NC x 1 inch		
L	18637	WASHER - lock, 3/8 inch		
M	21941	NUT - hex jam, 5/8 NC		

SICKLE AND DRIVE

NOTE: Newer sickle head 113232 and seal 113222 may be used to replace 103705 head and 37930 seal, respectively. When making either of these substitutions, also order sickle head pin 113229 (item 4) to prevent seal damage on installation.



SICKLE AND DRIVE

REF	PART NUMBER	DESCRIPTION	QTY	SERIAL NUMBER	
			30' / 36'		
1	100532	DRIVE - sickle, see page 16 for components	1		
2	47832	PULLEY - driven.....	1		
3	113698	ARM – output (was 100421).....	1		
4	100502	PIN - sickle head	1	-124499	
	113229	PIN - sickle head	1	124500-	
5	21194	FITTING - lubrication, 90°	1		
6	100501	HEAD ASSEMBLY - sickle, includes items 7 and 8.....	1	-115999	
	103705	HEAD ASSEMBLY - sickle, includes items 7 and 8 (see note, page 14).....	1	116000-124490	
	113232	HEAD ASSEMBLY - sickle, includes items 7 and 8.....	1	124500-138024	
7	100500	BEARING - needle	1		
8	37930	SEAL - sickle head (install with lip facing outward) (see note, page 14).....	1	-124499	
	113222	SEAL - sickle head (install with lip facing outward)	1	124500-	
9	49670	BAR - reinforcing - package of 77	1		
10	49667	FINE SICKLE ASSEMBLY - less head, left hand, includes item 9.....	1		
	103424	COARSE SICKLE ASSEMBLY – less head, left hand, includes item 9.....	1		
11	34390	FINE SECTION - sickle, top-serrated – 14 serr. per inch (Kondex).....	A/R		
	118475	FINE SECTION - sickle, top-serrated – 14 serr. per inch (Busatis)...	OPT		
	102053	COARSE SECTION – sickle, top-serrated – 7 serrations per inch.....	A/R		
12	34391	SECTION - sickle, half	2		
13	43077	FINE SICKLE ASSEMBLY - right, 30' (9 ft. extension)	1		
	103441	COARSE SICKLE ASSEMBLY – right, 30' (9 ft. extension).....	1		
	43078	FINE SICKLE ASSEMBLY - right, 36' (15 ft. extension)	1		
	103442	COARSE SICKLE ASSEMBLY – right, 36' (15 ft. extension).....	1		
14	30696	SCREW - rib neck, #12 NC x 5/8 inch - for sections to sickle back.....	A/R		
15	49671	SCREW - rib neck, #12 NC x 0.92 inch	14		
16	30669	NUT - lock, #12 NC distorted thread	A/R		
17	33955	BAR - splice.....	1		
18	118345	SPECIAL SICKLE GUARD - first three at left end (was 28014)	3		
19	23064	SICKLE GUARD - except three at left end.....	57 / 69		
20	49420	GUIDE - sickle, hold-down, except four at splice bar (was 28815).....	28 / 34		
	50228	GUIDE - high clearance hold down, at splice bar (may sub 49420).....	4	-124499	
21	30852	SCREW - rib neck, #12 NC x 1-1/8 inch	7		
22	52031	TOOL - guard straightener (accessory)	1		
23	114109	SHIELD – drive arm	1		
24	113941	BAR – reinforcing	1		
25	115321	HEAD ASSEMBLY – sickle, includes items 7, 8, 26 & 27.....	1	138025-	
26	115670	O-RING – sickle head	1	138025-	
27	113937	PLUG – sickle head.....	1	138025-	
28	113586	TUBE – spare sickle storage, 30' headers	1		
	113587	TUBE – spare sickle storage, 36' headers	1		
A	100233	BOLT - hex head, 5/8 NC x 1-1/2 inch	J	50237	NUT – hex, 3/8 NC, stainless steel
B	21583	BOLT - hex head, 5/8 NC x 3 inch	K	50119	BOLT – hx hd, 3/8 NC x 3/4", stnless
C	18666	NUT - lock, 5/8 NC distorted thread	L	21478	BOLT – rnd hd, sq nk, 3/8 NC x 2-1/2"
D	8218	BOLT - rnd hd, sq nk, 7/16 NC x 1-1/2"	M	21863	BOLT – rnd hd, sq nk, 3/8 NC x 3/4"
E	18654	NUT - hex, 7/16 NC	N	30228	NUT – lock, smth fig, 3/8 NC, dist thd.
F	21975	BOLT – flange head, 3/8 NC x 1 inch	P	21452	NUT – flange, serrated face, 3/8 NC

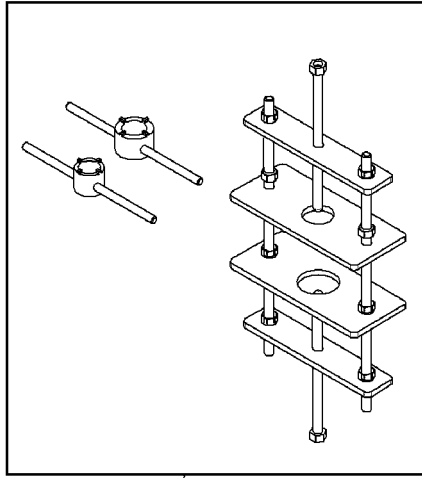
NOTE: For a complete **fine** serrated sickle, order:

Item 10	49667	L/H Assembly	Qty. 1
Item 11	34390	Section, sickle	Qty. 3
Item 12	34391	Section, half	Qty. 1
Item 13	43077	R/H Assembly - 30'	Qty. 1
	43078	R/H Assembly - 36'	Qty. 1
Item 15	49671	Screw, #12 x 0.92 in.	Qty. 8
Item 16	30669	Nut, lock	Qty. 8
Item 17	33955	Bar, splice	Qty. 1
Item 24	113941	Bar, reinforcing	Qty. 1

NOTE: For a complete **coarse** serrated sickle, order:

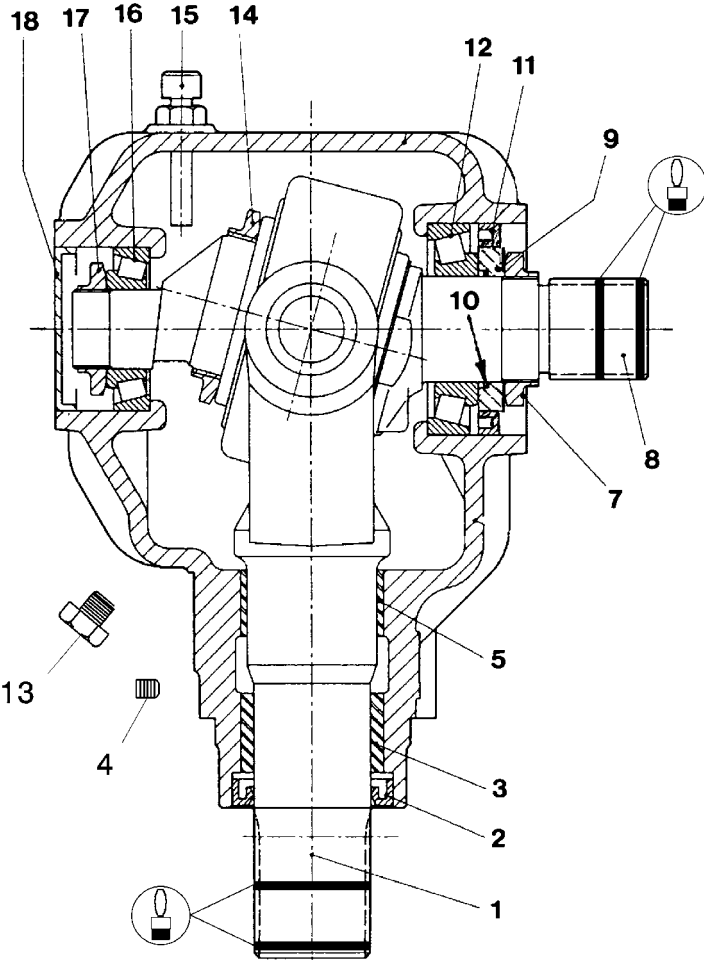
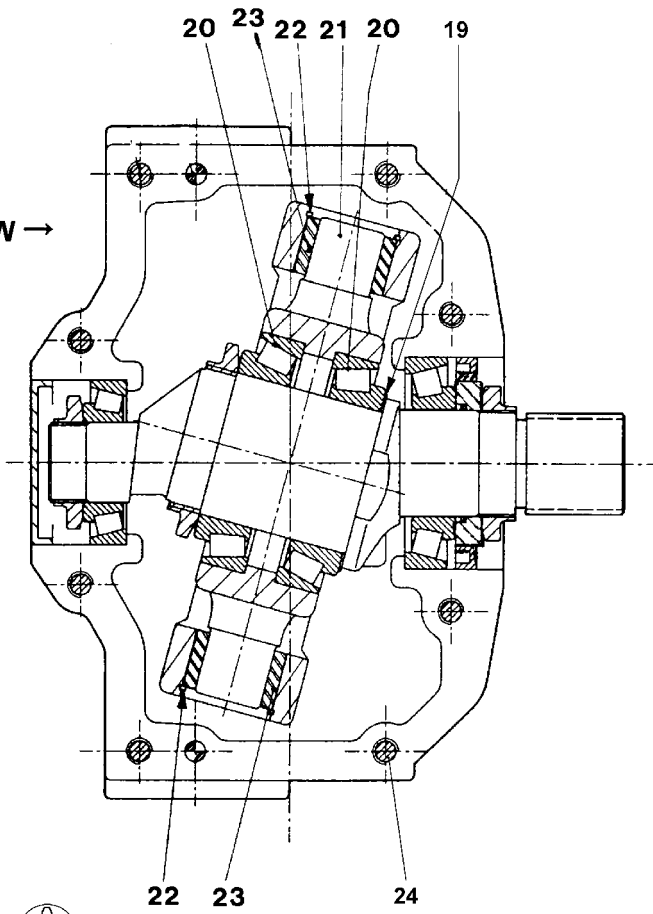
Item 10	103424	L/H Assembly	Qty. 1
Item 11	102053	Section, sickle	Qty. 3
Item 12	34391	Section, half	Qty. 1
Item 13	103441	R/H Assembly - 30'	Qty. 1
	103442	R/H Assembly - 36'	Qty. 1
Item 15	49671	Screw, #12 x 0.92 in.	Qty. 8
Item 16	30669	Nut, lock	Qty. 8
Item 17	33955	Bar, splice	Qty. 1
Item 24	113941	Bar, reinforcing	Qty. 1

SICKLE DRIVE BOX



25

TOP VIEW →



← SIDE VIEW

SICKLE DRIVE BOX

REF	PART NUMBER	DESCRIPTION	QTY	SERIAL NUMBER
	100532	DRIVE - sickle, complete.....	1	
1	100706	YOKE - output	1	
2	100707	SEAL - oil, output shaft.....	1	
3	100708	BUSHING - bronze.....	1	
4	103565	PLUG - hex socket	2	
5	100726	BUSHING - steel	1	
7	100709	NUT - special.....	1	
8	100710	SHAFT - input.....	1	
9	102629	SPACER - 60 mm O.D., see NOTE 1	1	
10	100712	O-RING	1	
11	102630	SEAL - oil, input shaft, 60 mm I.D., see NOTE 1	1	
12	100714	BEARING ASSEMBLY - cup & cone.....	1	
13	103096	PLUG - oil drain	2	
14	100715	NUT - lock, M55 x 2.....	1	
15	100716	BREATHER PLUG - with dipstick	1	
16	100717	BEARING ASSEMBLY - cup & cone.....	1	
17	100718	NUT - lock, M30 x 1.5.....	1	
18	100719	CAP - dust	1	
19	113152	SHIM - input shaft.....	1	
20	100720	BEARING ASSEMBLY - cup & cone.....	2	
21	100721	PIVOT.....	1	
22	100722	RING - retaining, internal.....	2	
23	100723	BUSHING - bronze.....	2	
24	113153	BOLT - socket head, M10 x 50 mm.....	8	
25	139003	TOOL KIT - sickle drive box disassembly/assembly	A/R	

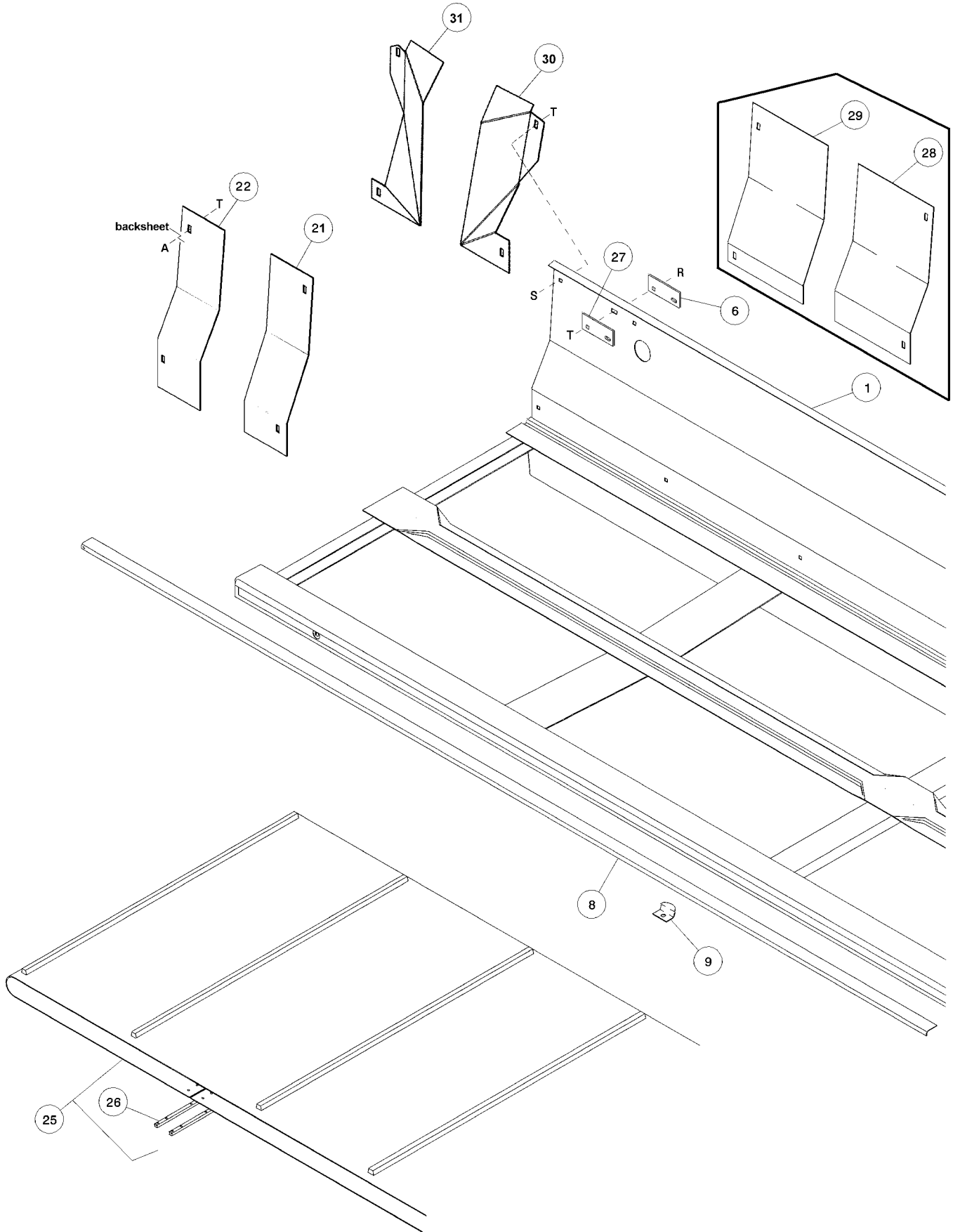
(Refer to Tech Manual for instructions on use.)



REF Apply Loctite 243 adhesive or equivalent to splines before assembly

NOTES: 1. If part being replaced is 50 mm (O.D. of spacer, item 9) (I.D. of seal, item 11), order both items 9 and 11.

DRAPERS & CARRIER DECKS



DRAPERS & CARRIER DECKS

REF	PART NUMBER	DESCRIPTION	QTY	SERIAL NUMBER
1	49486	CARRIER DECK - left, 30' Header.....	1	-109919
	101674	CARRIER DECK - left, 30' Header.....	1	109920-
	49488	CARRIER DECK - left, 36' Header.....	1	-109919
	101336	CARRIER DECK - left, 36' Header.....	1	109920-
	49487	CARRIER DECK - right, 30' Header.....	1	-109919
	49489	CARRIER DECK - right, 36' Header.....	1	-109919
6	43581	PLATE - top guide.....	8	-109919
	101718	PLATE - top guide.....	2	109920-15999
	103495	PLATE - top guide.....	2	116000-
8	101777	DRAPER SEAL - front, removable - center section - 30' & 36' headers.....	1	
	101778	DRAPER SEAL - front, removable - end section - 30' header.....	2	
	101779	DRAPER SEAL - front, removable - end section - 36' header.....	2	
9	49075	RETAINER - front draper seal.....	see note (1)	
21	119024	PANEL – backsheet extension, L/H, for 873 Combine Adapter (see note 3) ..	1	
22	119025	PANEL – backsheet extension, R/H, for 873 Combine Adapter (see note 3) ..	1	
25	100265	DRAPER - left side, 30 ft. header.....	1	
	100266	DRAPER - right side, 30 ft. header.....	1	
	100267	DRAPER - left side, 36 ft. header.....	1	
	100268	DRAPER - right side, 36 ft. header.....	1	
	49169	DRAPER - side draper extension piece, 15 in. (380 mm) long.....	A/R	
	113938	DRAPER – 75' bulk roll, economy material, (see note 2).....	A/R	
	113939	DRAPER – 150' bulk roll, deluxe material, (see note 2).....	A/R	
26	43469	SLAT - connector kit, includes 2 slats and hardware.....	A/R	
	103542	PACKAGE - draper hardware, includes 12 each of screw and nut		
27	101371	GUIDE - top.....	2	109920-15999
	103495	PLATE - top guide.....	2	116000-
28	101786	PANEL - extension, left - for 871 Combine Adapter, (see note 3).....	1	109920-138024
29	101787	PANEL - extension, right - for 871 Combine Adapter, (see note 3).....	1	109920-130024
30	121008	PANEL – extension, left – for 872 Combine Adapter, (see note 3).....	1	138025-
31	121009	PANEL – extension, right – for 872 Combine Adapter, (see note 3).....	1	138025-
A	21863	BOLT – round head, short square neck, 3/8 NC x 3/4 inch		
R	19965	BOLT - round head, short square neck, 3/8 NC x 1 inch		
S	21567	BOLT - hex head, 3/8 NC x 3/4 inch		
T	30228	NUT - lock, smooth flange, 3/8 NC distorted thread		

NOTE:

(1)- Quantities for item 9: 30 ft. = 18, 36 ft. = 22

(2)- Economy draper bulk rolls are a lower priced option to the deluxe drapers supplied with a new header.

Economy draper material is friction coated with rubber on both sides. Deluxe draper bulk rolls are the same material as supplied with a new header. This material is skim coated with 0.015" thick rubber on cleat side and friction coated with rubber on side opposite cleats. All bulk draper rolls come with no holes and no connector bars.

(3) - Included with completion package provided with 871/872/873 Combine Adapter.

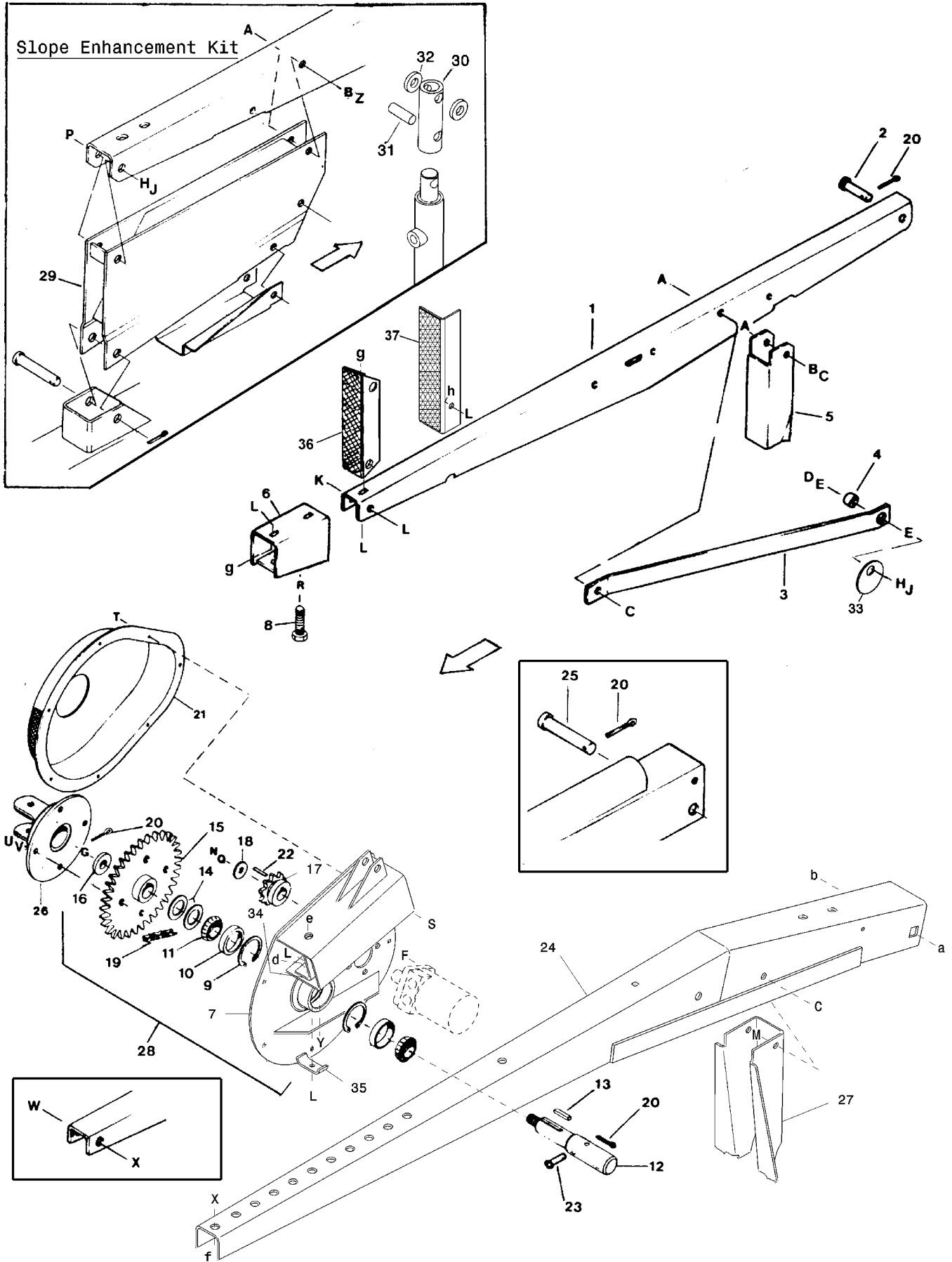
DRAPER ROLLERS & TIGHTENER GROUP

REF	PART NUMBER	DESCRIPTION	QTY	SERIAL NUMBER
1	43513	ROLLER - drive	2	-109919
	101255	ROLLER - drive	2	109920-138024
	113962	ROLLER - drive, vulcanized rubber coated	2	138025-
2	100108	MOTOR - draper drive, with key (item 3) - Danfoss	2	-109919
	100102	SEAL KIT - for Danfoss motor		
	49526	MOTOR - draper drive, with key (item 3) - Eaton	2	109920-124499
	101669	MOTOR - draper drive, with key (item 3) - Eaton	2	124500-
	101670	SEAL KIT - for Eaton motor (was 43177)		
3	2149	KEY - Woodruff, SAE 15	2	
5	40008	WASHER - flat	2	
6	30550	BEARING - ball, drive roller	2	
7	43517	SUPPORT - drive roller	2	-109919
	101648	SUPPORT - drive roller	2	109920-
8	43779	LAGGING KIT - includes 3 pieces, one kit per roller	A/R	
9	43320	TUBE - idler roller	2	
10	49056	SHAFT - idler roller	2	
12	21062	BEARING - ball, idler roller	4	
13	43523	WASHER - flat	6	
14	37912	SPACER - idler roller	2	
16	43530	SUPPORT - roller	4	-109919
	101644	SUPPORT - roller, outboard end	4	109920-
17	43521	SPRING - compression	4	
19	100322	CABLE - tightener, 30 ft. header	2	-109919
	100323	CABLE - tightener, 36 ft. header	2	-109919
	101696	CABLE - tightener, 30 & 36 ft. headers	2	109920-
20	43542	ARM - draper tightener, includes item 29	2	
21	43556	ANCHOR - draper tightener	2	
22	22072	WASHER - flat	2	
23	43558	BOLT - draper tightener	2	
24	114234	SUPPORT - draper, use for delivery opening 41.7" (1060 mm) and smaller	2	
38	100262	SUPPORT - motor	2	-109919
39	43219	WASHER - flat	4	
40	49209	CLAMP - cable	4	
41	16652	WASHER - flat	4	
42	101332	SUPPORT - roller, inboard end	4	109920-
43	101667	SUPPORT - motor	2	109920-
44	103188	SUPPORT - motor, used at R/H end with motors outboard only	1	
45	113429	ADHESIVE - for lagging, 148 ml (5 fl. oz.)	A/R	
A	113420	SCREW - machine, countersunk Torx head, 3/8 NC x 3/4 inch		
B	20077	BOLT - hex head, 3/8 NC x 1 inch		
C	30228	NUT - lock, smooth flange, 3/8 NC distorted thread		
D	19965	BOLT - round head, square neck, 3/8 NC x 1 inch		
E	27647	BOLT - special, hex head shoulder, 3/8 NC		
F	21484	BOLT - round head, square neck, 3/8 NC x 1-1/2 inch		
G	21863	BOLT - round head, square neck, 3/8 NC x 3/4 inch		
H	30940	SETSCREW - socket head, cup point, 3/8 NC x 5/16 inch		
J	30941	SETSCREW - hex socket through bore, 3/8 NC x 3/16 inch		
M	21447	BOLT - large flange head, 3/8 NC x 1 inch		
P	21941	NUT - hex jam, 5/8 NC		
R	21594	BOLT - hex head, 5/8 NC x 1 1/2 inch		
S	18666	NUT - lock, 5/8 NC distorted thread		
T	30693	BOLT - flange head, 3/8 NC x 1/2 inch - R/H fixed deck only.		
f	REF	Indicates where hardware passes through frame member.		

REEL DRIVE & SUPPORT ARMS

REF	PART NUMBER	DESCRIPTION	QTY	SERIAL NUMBER
1	37948	ARM - reel support	2	
2	19958	PIN - clevis, 5/8 dia. x 3-1/4"	2	
3	26446	BRACE - diagonal	2	
4	8640	SPACER - tube.....	2	
5	37336	SUPPORT - reel prop, left.....	1	
	103497	SUPPORT - reel prop, right.....	1	
6	37919	SUPPORT - reel (qty 2 on 36 ft.).....	1	
7	37869	SUPPORT - reel drive (incl. items 9 & 10), 30 ft. (36' see S.N. break)	1	36' -115999
	103819	SUPPORT - reel drive (includes items 9 & 10), 36 ft. (shown)	1	36' 116000-
8	37866	SCREW - reel position (3 on 36' with Ser. No. 115999 and below)	2	
9	21545	RING - retaining, internal.....	2	
10	7900	BEARING - cup	2	
11	7910	BEARING - cone	2	
12	121029	SHAFT - reel drive (was 33532)	1	
13	103366	KEY - reel drive shaft.....	1	
14	19681	WASHER - flat	2	
15	26848	SPROCKET - driven, 30 ft.....	1	
	33003	SPROCKET - driven, 36 ft.....	1	
16	16235	WASHER - flat	1	
17	26847	SPROCKET - drive, hydraulic motor	1	
18	43219	WASHER - flat	1	
19	20117	CHAIN - roller, #60 x 40 links	1	
20	18648	PIN - cotter, 3/16 x 1-1/4 inch.....	5	
21	47167	SHIELD - reel drive, 30 ft.	1	
	33010	SHIELD - reel drive, 36 ft.	1	
22	43464	SHIM - reel drive sprocket (nominal quantity 4)	A/R	
23	19809	PIN - clevis, 1/2 dia. x 2 inch	2	
24	37851	ARM - center reel support, 36 ft.	1	-115999
	103712	ARM - center reel support, 36 ft.	1	116000-
25	18629	PIN - clevis, 3/4 dia. x 3-3/4 inch, 36' center arm.....	1	-115999
26	33265	HUB - with clevis, 36 ft. (1/2" holes in clevis)	1	-109919
	49629	HUB - with clevis, 36 ft. (3/4" holes in clevis)	1	109920-
27	37885	SUPPORT - reel prop, 36' center.....	1	-115999
	114262	SUPPORT - reel prop, 36' center.....	1	116000-
28	47154	REEL DRIVE ASSEMBLY - with motor - 30'	1	
29	49087	SUPPORT - reel slope enhancement	1	
30	49080	EXTENSION - single acting cylinder	1	
	49081	EXTENSION - double acting cylinder.....	1	
31	43326	PIN - cylinder extension.....	2	
32	22070	WASHER - flat	4	
33	101292	RETAINER - reel brace.....	2	
34	103829	CHANNEL - inner, 36 ft. center arm.....	1	116000-
35	32225	HOLDER - hose, 36 ft.	1	116000-
36	116059	SUPPORT - reel fore-aft cylinder, c/w reflector (was 26710).....	1 for 30', 2 for 36'	
37	121031	SUPPORT - transport light bracket, c/w reflector, 30' R/H only	1	
A	21581	BOLT - hex head, 1/2 NC x 3-1/2 inch		
B	18638	WASHER - lock, 1/2 inch		
C	18697	NUT - lock, 1/2 NC distorted thread		
D	21582	BOLT - hex head, 5/8 NC x 1-3/4 inch		
E	18600	WASHER - flat, 21/32 inch I.D.		
F	21821	BOLT - flange head, 3/8 NC x 3/4 inch		
G	5512	NUT - slotted, 3/4 NF		
H	18639	WASHER - lock, 5/8 inch		
J	18592	NUT - hex, 5/8 NC		

REEL DRIVE & SUPPORT ARMS



REEL DRIVE & SUPPORT ARMS

REF	PART NUMBER	DESCRIPTION	QTY	SERIAL NUMBER
K	21579	BOLT - hex head, 3/8 NC x 3-1/4 inch		
L	30228	NUT - lock, smooth flange 3/8 NC distorted thread		
M	21589	BOLT - hex head, 1/2 NC x 4 inch		-115999
	21575	BOLT - hex head, 1/2 NC x 1 inch		116000-
N	21566	BOLT - hex head, 1/4 NC x 3/4 inch		
P	21406	BOLT - hex head, 5/8 NC x 3-1/2 inch		
Q	18635	WASHER - lock, 1/4 inch		
R	21345	NUT - hex jam, 5/8 NC		
S	21476	BOLT - round head, square neck, 1/4 NC x 3/4 inch		
T	21455	NUT - serrated flange lock, 1/4 NC		
U	20077	BOLT - hex head, 3/8 NC x 1 inch		
V	18637	WASHER - lock, 3/8 inch		
W	21584	BOLT - hex head, 5/8 NC x 2-1/2 inch, 36' center arm		-115999
X	18666	NUT - lock, 5/8 NC distorted thread		
Y	21863	BOLT - round head, square neck, 3/8 NC x 3/4 inch		
Z	18591	NUT - hex, 1/2 NC		
a	103883	BOLT - round head, square neck, 3/4 NC x 5 inch		
b	18689	NUT - lock, 3/4 NC distorted thread		
d	20078	BOLT - round head, square neck, 3/8 NC x 1-3/4 inch		
e	21594	BOLT - hex head, 5/8 NC x 1-1/2 inch		
f	21585	BOLT - hex head, 5/8 NC x 1-1/4 inch		
g	19965	BOLT - round head, square neck, 3/8 NC x 1 inch		
h	21567	BOLT - hex head, 3/8 NC x 3/4 inch		

BAT REEL

REF	PART NUMBER	DESCRIPTION	QTY	SERIAL NUMBER
1	49459	TUBE - reel, 30'	1	
	49470	TUBE - L/H reel, 36'	1	
2	49468	TUBE - R/H reel, 36' (1/2" holes in clevis).....	1	-109919
	49633	TUBE - R/H reel, 36' (3/4" holes in clevis).....	1	109920-
3	137035	BLOCK - connector, with lube fitting (item 5), 36' only (was 32200)	1	
4	32202	SPACER - 36' only, used with 1/2" hardware	2	-109919
5	21301	FITTING - lube, 45°	1	
6	35694	BUSHING - reel support (qty. 2 for 36').....	1	
8	27160	WASHER - flat (qty. 2 for 36')	1	
9	43145	ARM - reel (qty. 50 for 36')	35	
10	43109	BAT - reel, 30'	5	
	43106	BAT - reel, 36'	10	
11	40110	SHIELD - reel end (qty. 20 for 36')	10	
13	18671	FITTING - lube	1	
	21010	FITTING - lube, 90°, 36' R/H only.....	1	
15	49476	SUPPORT - reel, includes lube fitting 18671 (qty. 2 for 36')	1	
A	21581	BOLT - hex head, 1/2 NC x 3-1/2 inch		-109919
	137036	BOLT - hex head, 3/4 NC x 4-1/4 inch		109920-
B	18601	WASHER - flat, 3/4 inch I.D.		
D	19965	BOLT - round head, square neck, 3/8 NC x 1 inch		
E	21484	BOLT - round head, square neck, 3/8 NC x 1-1/2 inch - 30'		
	21863	BOLT - round head, square neck, 3/8 NC x 3/4 inch - 36'		
G	30693	BOLT - flange head, 3/8 NC x 1/2 inch		
H	30228	NUT - lock, smooth flange, 3/8 NC distorted thread		
J	18697	NUT - lock, 1/2 NC distorted thread		-109919
	18689	NUT - lock, 3/4 NC distorted thread		109920-
K	18600	WASHER - flat, 21/32 inch I.D.		
L	21587	BOLT - hex head, 5/8 NC x 2 inch		

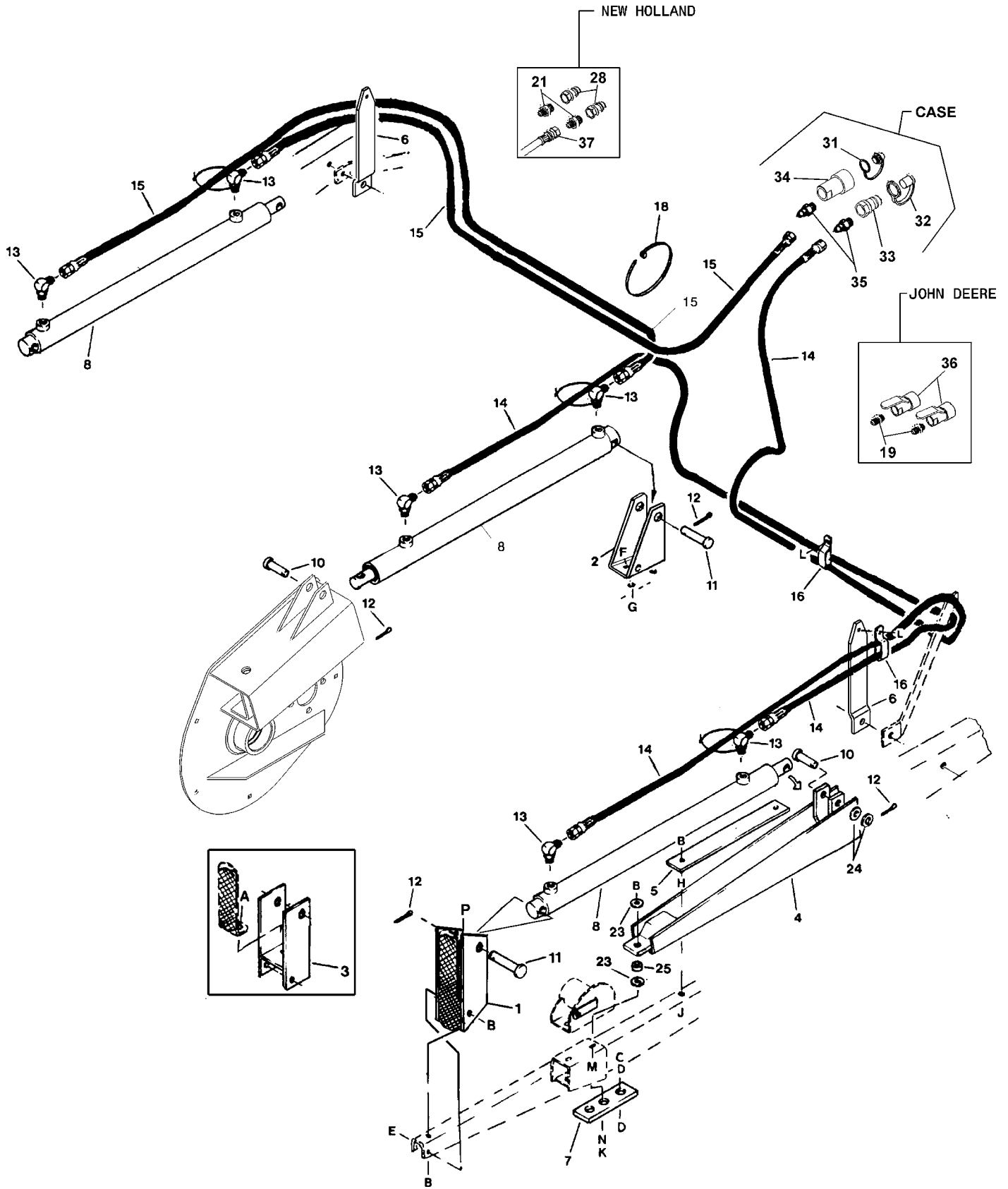
30' HEADER HYDRAULIC REEL FORE-AFT KIT

REF	PART NUMBER	DESCRIPTION	QTY	SERIAL NUMBER	
•	B 2823	HYDRAULIC FORE-AFT KIT, complete - for 30' header (Kit available through WholeGoods only.)			
1	REF	SUPPORT – cylinder, c/w reflector – see Reel Drive & Support Arms	1	131620-	
2	43870	SUPPORT - cylinder, right rear	1		
3	49008	SUPPORT - cylinder, left front	1		
4	49000	SUPPORT - cylinder, left rear	1		
5	43860	BAR - guide	1		
6	114110	SUPPORT – hose (was 49006)	1		
7	43980	BAR - adapter	2		
8	121028	CYLINDER – hydraulic (was 49175), see note 2	2		
	43887	SEAL KIT - for cylinder 49175, see note 2			
	118157	SEAL KIT – for cylinder 121028, see note 2			
	43803	PISTON - for cylinder (also order proper Seal Kit per note 2)			
9	121032	HOSE – to right cylinder port (was 43892)	1		
10	18704	PIN - clevis, 5/8 dia. x 2.28 inch effective length	2		
11	18624	PIN - clevis, 5/8 dia. x 2.76 inch effective length	2		
12	18648	PIN - cotter, 3/16 dia. x 1-1/4 inch	4		
13	30282	FITTING - 90° elbow, 9/16 O-ring x 3/8 tube	4		
14	43895	HOSE - from left cylinder rear port.....	1		
15	43896	HOSE - right cylinder rear port to left cylinder front port.....	1		
16	43848	FASTENER - hose clamp	16		
17	30753	FASTENER - plastic tie.....	5		
18	37881	PROTECTOR - hose	2		
23	20535	WASHER – flat, see note 1 below	2		
24	18600	WASHER – flat	2		
25	49007	SUPPORT - reel drive hoses	1		
26	32225	HOLDER - hose	1		
27	19411	SPACER - bushing	1		
	B 2825	CASE COMPLETION KIT			
31	114229	PLUG – dust	1		
32	114230	CAP – dust.....	1		
33	114142	FITTING – male quick coupler, 7/8 O-ring.....	1		
34	114143	FITTING – female quick coupler, 7/8 O-ring.....	1		
	44210	O-RING – for 7/8 fittings			
35	114141	FITTING – male adapter, 3/8 tube x 7/8 O-ring	2		
	B 2826	JOHN DEERE COMPLETION KIT			
19	15903	FITTING - adapter, 3/8 tube x 9/16 O-ring.....	2		
36	114120	FITTING – female quick coupler, with shut off.....	2		
	B 2827	NEW HOLLAND COMPLETION KIT			
21	21806	FITTING - adapter, 3/8 tube x 1/2 NPT.....	2		
30	21855	FITTING – male quick coupler, 1/2 NPT.....	2		
37	103392	HOSE – hydraulic	1		
A	19966	BOLT - rnd hd, sq nk, 3/8 NC x 1-1/4 inch	H	18590	NUT - hex, 3/8 NC
B	30228	NUT - lock, smth flg, 3/8 NC dist. thd	J	21264	BOLT - hex head, 3/8 NC x 1-1/4 inch
C	21871	BOLT - hex hd, 5/8 NC x 2-1/2", full thd	K	21594	BOLT - hex head, 5/8 NC x 1-1/2 inch
D	18592	NUT - hex, 5/8 NC	L	50124	SCREW - self tapping, 5/16 NC x 1/2"
E	21579	BOLT - hex head, 3/8 NC x 3-1/4 inch	M	21484	BOLT - rnd hd, sq nk, 3/8 NC x 1-1/2 inch
F	21868	BOLT - rnd hd, sq nk, 1/2 NC x 1 inch	N	18639	WASHER - lock, 5/8 inch
G	21383	NUT - serrated flange lock, 1/2 NC	P	19965	BOLT – rnd hd, sq nk, 3/8 NC x 1 inch

NOTES:

1. For washer, item 23: When installed on header with Pick-Up Reel, do not install lower washer.
2. When ordering seal kit for cylinder (item 8), determine which kit you need as follows: Newer cylinder 121028 is identified by an ID sticker marked with its part no. If your cylinder has this ID sticker, order seal kit 118157 or replacement cylinder 121028. If there is no ID sticker, order seal kit 43887, or if replacing complete cylinder order two of 121028, one for each reel arm.

36' HEADER HYDRAULIC REEL FORE-AFT KIT



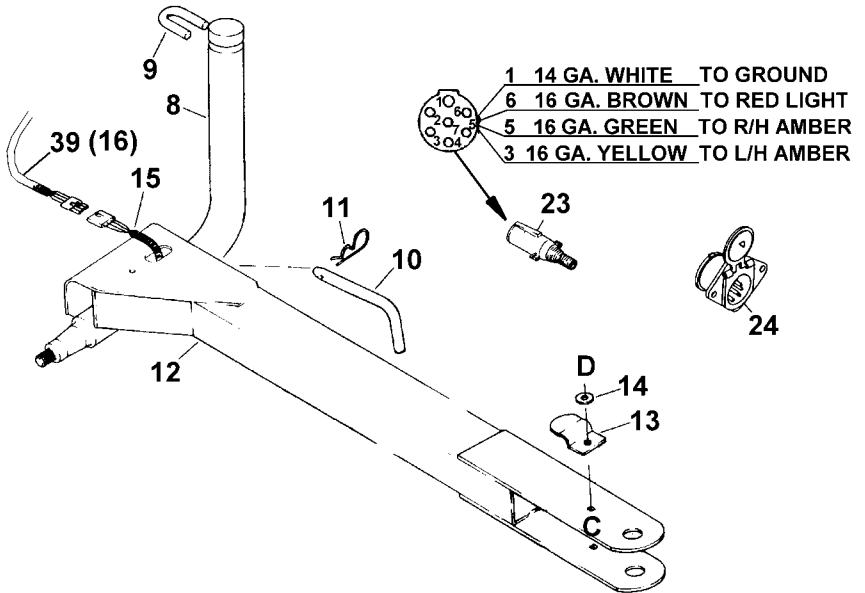
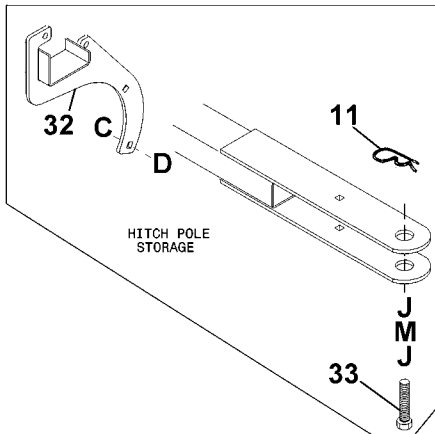
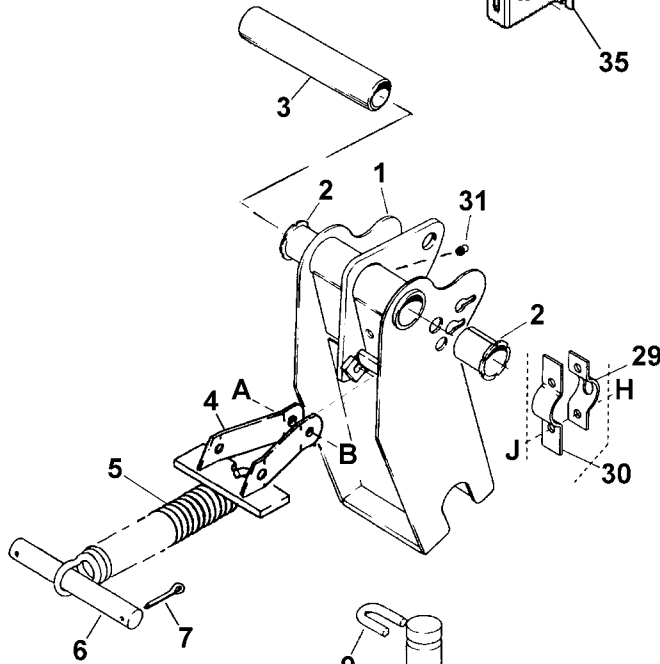
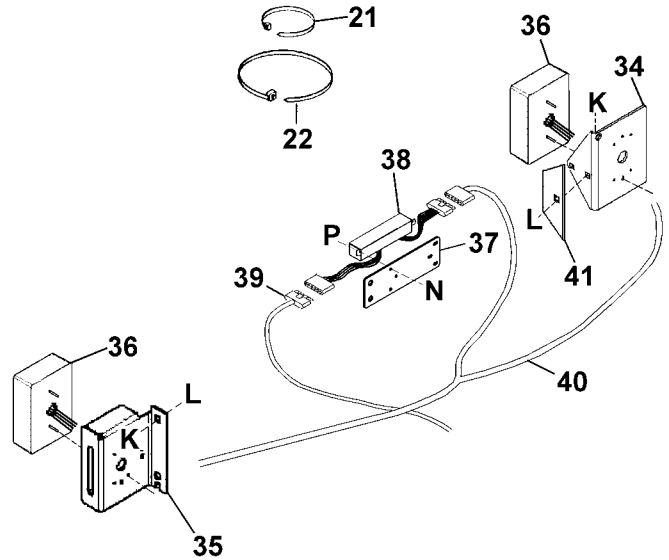
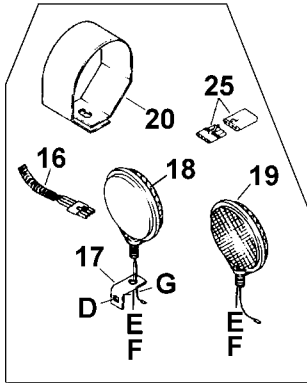
36' HEADER HYDRAULIC REEL FORE-AFT KIT

REF	PART NUMBER	DESCRIPTION	QTY	SERIAL NUMBER	
•	B 2824	HYDRAULIC FORE-AFT KIT, complete - for 36' header (Kit available through WholeGoods only.)			
1	REF	SUPPORT – cylinder, c/w reflector – see Reel Drive & Support Arms	2	131620-	
2	43870	SUPPORT - cylinder, center rear	1		
3	49008	SUPPORT - cylinder, left & right front	2	-131619	
4	49000	SUPPORT - cylinder, left & right rear	2		
5	43860	BAR - guide	2		
6	114110	SUPPORT - hose (was 49006)	2		
7	43980	BAR - adapter.....	3		
8	121028	CYLINDER – hydraulic (was 49175), see note 2	3		
	43887	SEAL KIT - for cylinder 49175, see note 2			
	118157	SEAL KIT – for cylinder 121028, see note 2			
	43803	PISTON - for cylinder (also order proper Seal Kit per note 2)			
10	18704	PIN - clevis, 5/8 dia. x 2.28 inch effective length.....	3		
11	18624	PIN - clevis, 5/8 dia. x 2.76 inch effective length.....	3		
12	18648	PIN - cotter, 3/16 dia. x 1-1/4 inch.....	6		
13	30282	FITTING - 90° elbow, 9/16 O-ring x 3/8 tube	6		
14	121032	HOSE – (was 43892): from left cylinder front port.....	2		
		- center cylinder front port to left cylinder rear port			
15	121033	HOSE – (was 43894): to right cylinder rear port.....	2		
		- right cylinder front port to center cylinder rear port			
16	43848	FASTENER - hose clamp.....	22		
18	30753	FASTENER - plastic tie	6		
	16661	FASTENER - plastic tie (for reel drive hoses)	5		
23	20535	WASHER - flat (see Note 1 below)	4		
24	18600	WASHER - flat	4		
25	19411	SPACER - bushing.....	2		
	B 2825	CASE COMPLETION KIT			
31	114229	PLUG – dust.....	1		
32	114230	CAP – dust	1		
33	114142	FITTING – male quick coupler, 7/8 O-ring	1		
34	114143	FITTING – female quick coupler, 7/8 O-ring	1		
	44210	O-RING – for 7/8 fittings			
35	114141	FITTING – male adapter, 3/8 tube x 7/8 O-ring	2		
	B 2826	JOHN DEERE COMPLETION KIT			
19	15903	FITTING - adapter, 3/8 tube x 9/16 O-ring.....	2		
36	114120	FITTING – female quick coupler, with shut off.....	2		
	B 2827	NEW HOLLAND COMPLETION KIT			
21	21806	FITTING - adapter, 3/8 tube x 1/2 NPT	2		
28	21855	FITTING – male quick coupler, 1/2 NPT	1		
37	103392	HOSE – hydraulic.....	1		
A	19966	BOLT - rnd hd, sq nk, 3/8 NC x 1-¼"	H	18590	NUT - hex, 3/8 NC
B	30228	NUT - lock, sm flange, 3/8 NC dist. thd	J	21264	BOLT - hex head, 3/8 NC x 1-1/4 inch
C	21871	BOLT - hex hd, 5/8 NC x 2-½", full thd.	K	21594	BOLT - hex head, 5/8 NC x 1-1/2 inch
D	18592	NUT - hex, 5/8 NC	L	50124	SCREW - self tap, 5/16 NC x 1/2 inch
E	21579	BOLT - hex head, 3/8 NC x 3-1/4 inch	M	21484	BOLT - rnd hd, sq nk, 3/8 NC x 1-½"
F	21868	BOLT - rnd hd, sq neck, 1/2 NC x 1 inch	N	18639	WASHER - lock, 5/8 inch
G	21383	NUT - serrated flange lock, 1/2 NC	P	19965	BOLT – rnd hd, sq nk, 3/8 NC x 1 inch

NOTES:

- For washer, item 23: When installed on header with Pick-Up Reel, do not install lower washer (both sides).
- When ordering seal kit for cylinder (item 8), determine which kit you need as follows: Newer cylinder 121028 is identified by an ID sticker marked with its part no. If your cylinder has this ID sticker, order seal kit 118157 or replacement cylinder 121028. If there is no ID sticker, order seal kit 43887, or if replacing complete cylinder order three of 121028, one for each reel arm.

Gauge Wheels with Transport Option
LEFT WHEEL SUPPORT, HITCH & ELECTRICAL

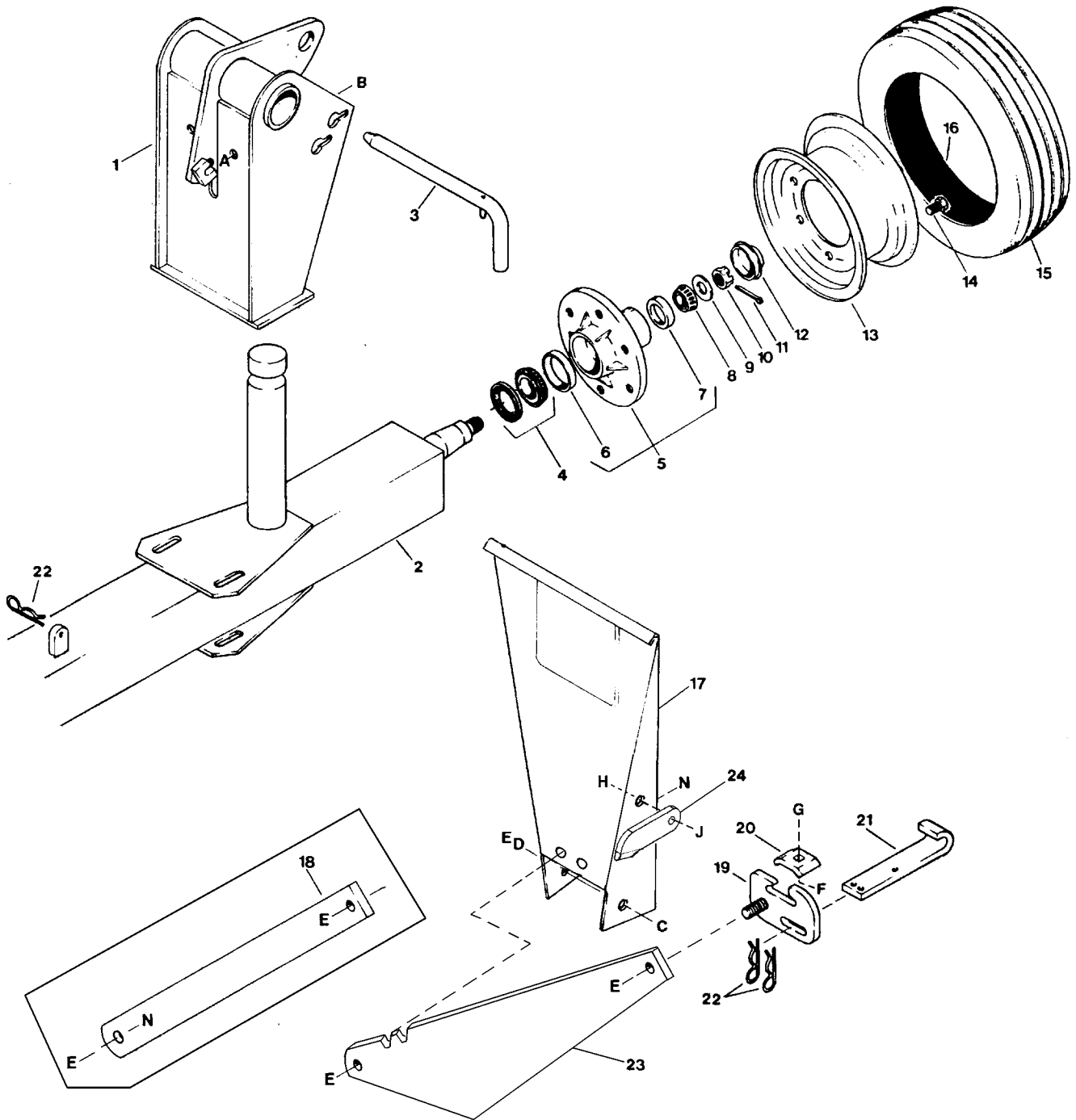


Gauge Wheels with Transport Option LEFT WHEEL SUPPORT, HITCH & ELECTRICAL

- NOTES:**
- For standard Gauge Wheel package (no transport option), see page 36 & 37.
 - For wheel components see page 34 & 35.

REF	PART NUMBER	DESCRIPTION	QTY	SERIAL NUMBER
1	49102	SUPPORT - left wheel, with decals & lube fitting	1	
2	35694	BUSHING - plastic.....	4	
3	49060	TUBE - wheel support	2	
4	49065	SUPPORT - spring.....	2	
5	37442	SPRING – extension, [qty. 4 (2 per side) for 36' headers with a..... pick-up reel in combination with the Model 960 Combine Adapter]	2	
6	49063	PIN - front.....	2	
7	18609	PIN - cotter, 1/4 x 2 inch.....	4	
8	43951	SPINDLE - left wheel.....	1	
9	43975	RETAINER - spindle.....	1	
10	43826	PIN - L	1	
11	13125	PIN - hair	2	
12	43828	HITCH - with decals & transport chain	1	
13	43982	RETAINER - hitch storage	1	-115999
14	24750	WASHER - rubber.....	1	-115999
15	43838	HARNESS - wiring, hitch section, incl. 7-pole plug & 4-way connector.....	1	
16	43977	HARNESS - wiring, header section, incl. 4-way connector (was 43841)	1	-131619
17	43842	SUPPORT - light	2	-131619
18	21402	LIGHT - red	2	-131619
19	16539	LIGHT - amber	2	-131619
20	43711	GUARD - amber light	1	-124499
21	21763	FASTENER - plastic tie, 7-1/2 inch	7	
22	30753	FASTENER - plastic tie, 14-1/2 inch	4	
23	30710	PLUG - 7 pole.....	1	
24	30461	RECEPTACLE - 7 pole, for towing vehicle.....	1	
25	31061	CONNECTOR KIT - harness, includes male and female connectors.....	1	-131619
29	101335	BRACKET - tube support	4	
30	101334	BRACKET - tube support (welded)	4	
31	18671	FITTING - lube	2	110100-
32	103217	SUPPORT - hitch pole storage	1	116000-
33	114011	BOLT - hex head, 1/2 NC x 3-1/4 inch, thread full length, drilled.....	1	
34	113519	SUPPORT – rear lamp.....	1	131620-
35	113580	SUPPORT – front lamp, with amber reflector	1	131620-
36	113518	LAMP – amber/red, ECE/SAE.....	2	131620-
37	113520	SUPPORT – lamp module	1	131620-
38	113579	MODULE – lamp	1	131620-
39	113523	HARNESS – wiring, hitch to module	1	131620-
40	113524	HARNESS – wiring, module to lamps	1	131620-
41	116062	SPACER – rear lamp support	1	131620-
A	18666	NUT - lock, 5/8 NC distorted thread		
B	21583	BOLT - hex head, 5/8 NC x 3 inch		
C	19965	BOLT - round head, square neck, 3/8 NC x 1 inch		
D	30228	NUT - lock, smooth flange, 3/8 NC distorted thread		
E	18638	WASHER - lock, 1/2 inch I.D.		
F	6771	NUT - hex, 1/2 NF		
G	21863	BOLT - round head, square neck, 3/8 NC x 3/4 inch		
J	18591	NUT - hex, 1/2 NC		
K	21868	BOLT – round head, square neck, 1/2 NC x 1 inch		
L	50186	NUT – lock, 1/2 NC, distorted thread		
M	18600	WASHER - flat, 21/32 inch I.D.		
N	135020	SCREW – truss head, #8 NC x 3/4 inch		
P	135021	NUT – keps lock, #8 NC		

Gauge Wheels with Transport Option RIGHT WHEEL SUPPORT & WHEEL COMPONENTS



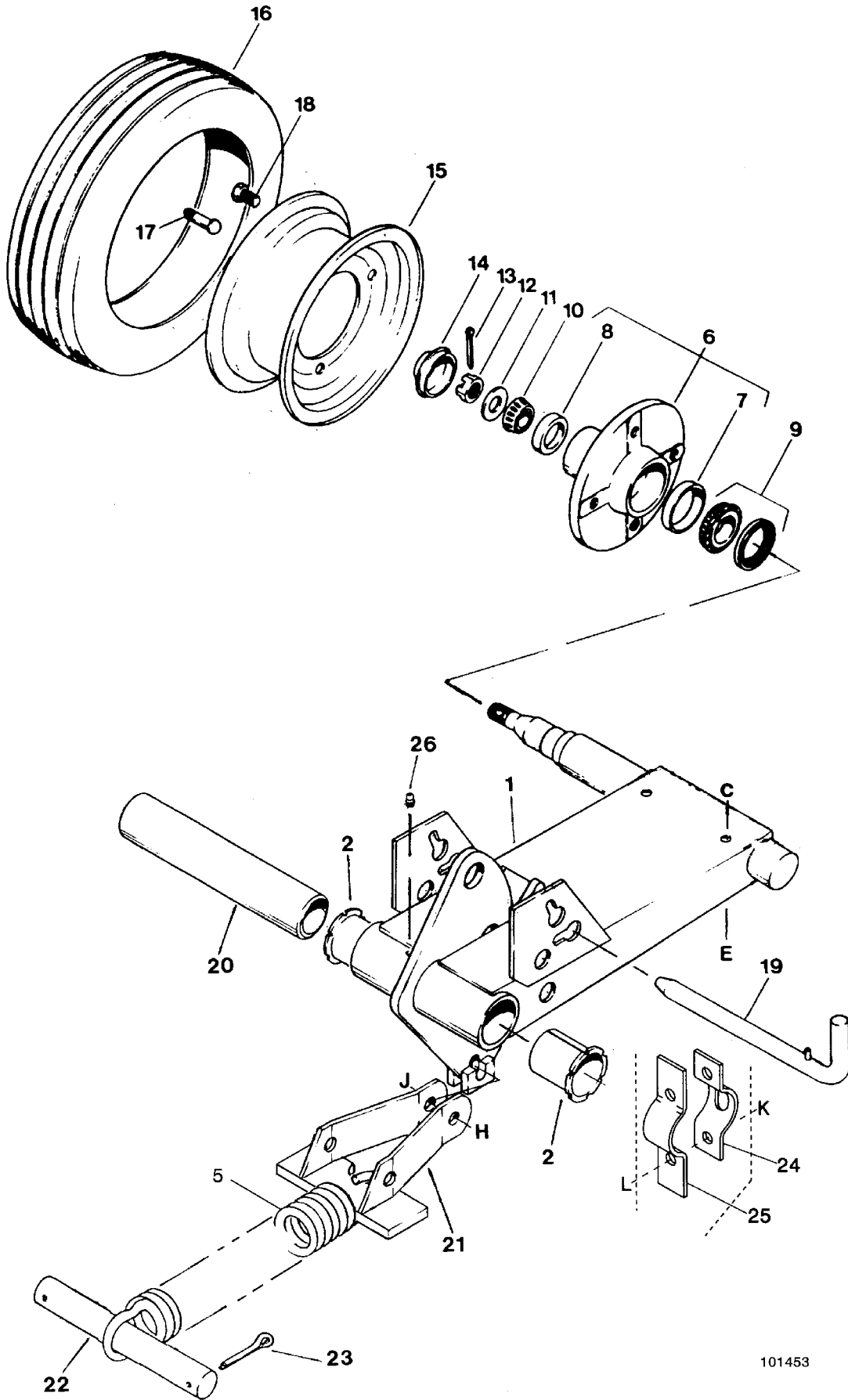
Gauge Wheels with Transport Option

RIGHT WHEEL SUPPORT & WHEEL COMPONENTS

- NOTES:**
- For standard Gauge Wheel package (no transport option), see page 36 & 37.
 - For parts common to both left and right wheel supports, but not shown here, see page 32 & 33.

REF	PART NUMBER	DESCRIPTION	QTY	SERIAL NUMBER
1	49121	SUPPORT - right wheels, with decal & lube fitting.....	1	
2	49135	BEAM - axle, right wheels	1	
3	43633	PIN - L, with roll pin	2	
4	30517	BEARING - cone, with seal	3	
5	30521	HUB - with bearing cups, items 6 & 7.....	3	
6	30516	BEARING - cup, inner	3	
7	7900	BEARING - cup, outer	3	
8	21376	BEARING - cone	3	
9	21540	WASHER - flat, hardened	3	
10	5512	NUT - hex slotted, 3/4 NF.....	3	
11	18648	PIN - cotter	3	
12	30520	CAP - dust	3	
13	30758	WHEEL - 6 bolt, 14 x 8 KB.....	3	
14	21719	BOLT - wheel	18	
15	30991	TIRE - tube type, 9.5L-14 8 ply \pm 1 Rib Implement.....	3	
16	30827	TUBE - inner.....	3	
17	49654	SUPPORT - R/H wheel beam, cutterbar end.....	1	
18	49653	BAR - brace, R/H wheel beam, cutterbar end.....	1	-131619
19	49154	RETAINER - brace bar.....	1	
20	49157	ANCHOR - cutterbar, brace bar	1	
21	49146	BAR - locking.....	1	
22	13125	PIN - hair	3	
23	121003	BAR - brace, R/H wheel beam, cutterbar end	1	131620-
24	121004	LATCH - brace bar, R/H wheel beam, cutterbar end	1	131620-
A	18697	NUT - lock, 1/2 NC distorted thread		
B	21560	BOLT - hex head, 1/2 NC x 3 inch		
C	21586	BOLT - hex head, 5/8 NC x 6 inch		
D	18639	WASHER - lock, 5/8		
E	18666	NUT - lock, 5/8 NC distorted thread		
F	21468	BOLT - round head, square neck, 7/16 NC x 1-3/4 inch		
G	18654	NUT - hex, 7/16 NC		
H	21585	BOLT - hex head, 5/8 NC x 1-1/4 inch		
J	50225	NUT - lock, smooth flange, 5/8 NC distorted thread		
N	21594	BOLT - hex head, 5/8 NC x 1-1/2 inch		

GAUGE WHEELS



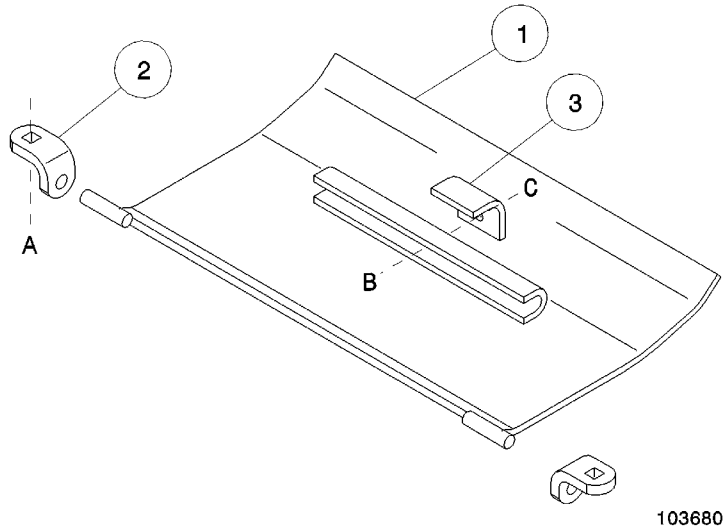
GAUGE WHEELS

REF	PART NUMBER	DESCRIPTION	QTY	SERIAL NUMBER
-----	-------------	-------------	-----	---------------

NOTE: For Gauge Wheel / Transport option, see pages 32 to 35.

1	49072	SUPPORT - gauge wheel, with welded spindle as shown	1	
	49073	SUPPORT - gauge wheel, with welded spindle opposite side	1	
2	35694	BUSHING - plastic.....	4	
5	37442	SPRING – extension, [qty. 4 (2 per side) for 36' headers with a..... pick-up reel in combination with the Model 960 Combine Adapter]	2	
6	4453	HUB - with bearing cups.....	2	
7	7900	BEARING - cup, inner	2	
8	7909	BEARING - cup, outer	2	
9	7910	BEARING - cone, with seal	2	
10	7920	BEARING - cone	2	
11	18601	WASHER - flat, 13/16 inch I.D.	2	
12	5512	NUT - slotted hex, 3/4 inch NF	2	
13	18648	PIN - cotter, 3/16 x 1-1/4 inch.....	2	
14	11529	CAP - dust	2	
15	4454	WHEEL - 4 bolt.....	2	
	102186	WHEEL - 4 bolt, with valve stem protector.....	OPT	
16	4231	TIRE - 6.70 x 15 I1 rib implement	2	
	50212	TIRE - 205-75 R15-SL2 radial	OPT	
17	21153	STEM- valve	2	
18	21719	BOLT- wheel	8	
19	43633	PIN- lock, with roll pin.....	2	
20	49060	TUBE - pivot	2	
21	49065	SUPPORT - spring	2	
22	49063	PIN - front	2	
23	18609	PIN - cotter, 1/4 x 2 inch.....	4	
24	101335	BRACKET - tube support	4	
25	101334	BRACKET - tube support (welded)	4	
26	18671	FITTING - lube	2	110100-
C	21102	BOLT- hex head, 3/8 NC x 2-1/2 inch		
E	30228	NUT- smooth flange, 3/8 NC distorted thread		
H	21583	BOLT - hex head, 5/8 NC x 3 inch		
J	18666	NUT - lock, 5/8 NC distorted thread		
K	21491	BOLT - hex head, 1/2 NC x 1-1/4 inch		
L	18697	NUT - lock, 1/2 NC distorted thread		

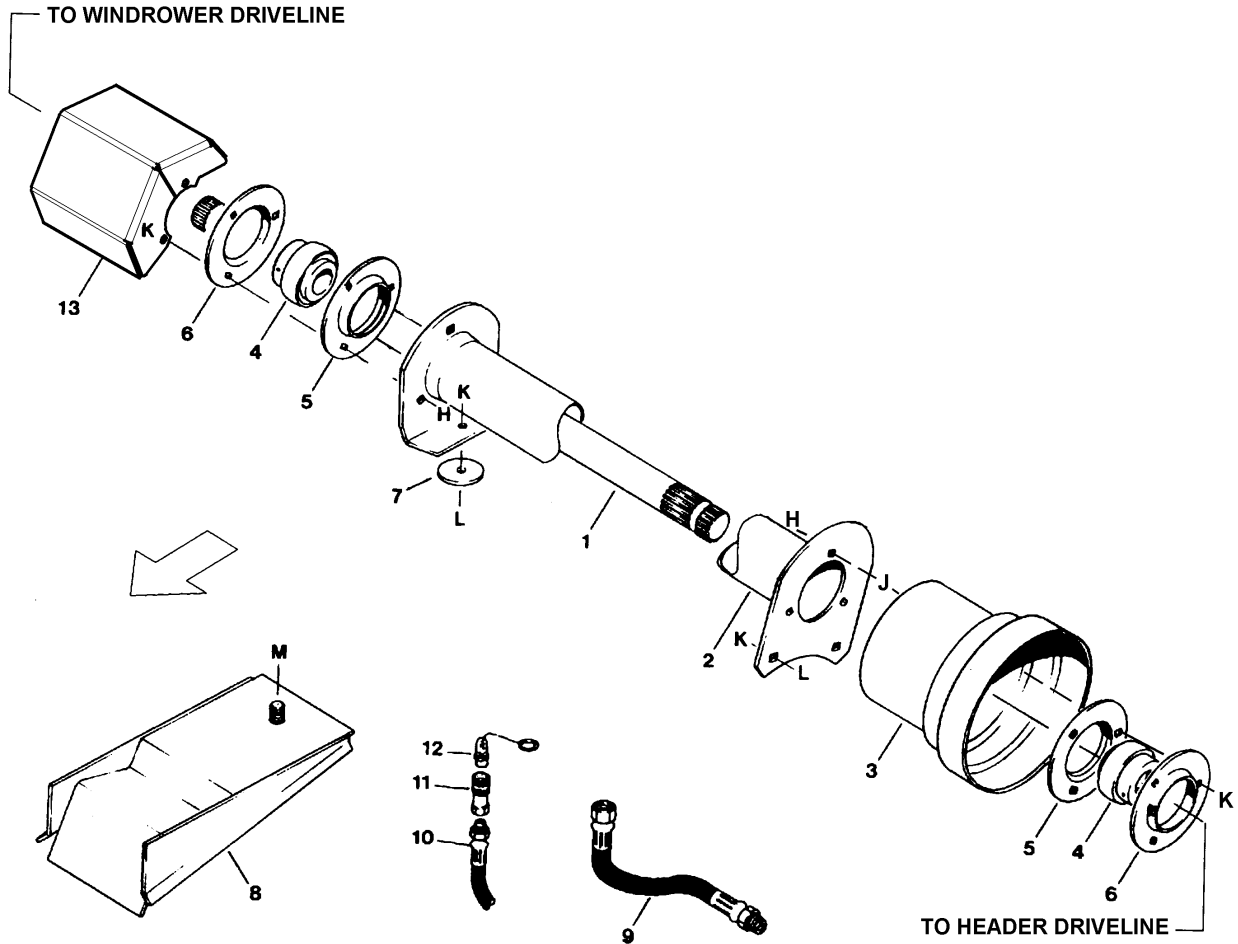
SKID SHOES



103680

REF	PART NUMBER	DESCRIPTION	QTY	SERIAL NUMBER
..	C 1359	KIT- two skid shoes, complete (Available through WholeGoods only)		
1	49461	SHOE- skid, adjustable	2	
2	43195	SUPPORT- front, skid shoe	4	
3	49465	ANGLE - rear support.....	2	
4	49460	SHOE - skid, adjustable - with rear support angle & hardware	2	
		(replaces shoe with welded supports at both ends of welded angle)		
A	21468	BOLT- round head, square neck, 7/16 NC x 1-3/4 inch		
B	21264	BOLT - hex head, 3/8 NC x 1-1/4 inch		
C	30228	NUT - lock, smooth flange, 3/8 NC distorted thread		

9000 Series Windrowers & Center Mount Bi-Directional Adapters
WINDROWER ADAPTER GROUP

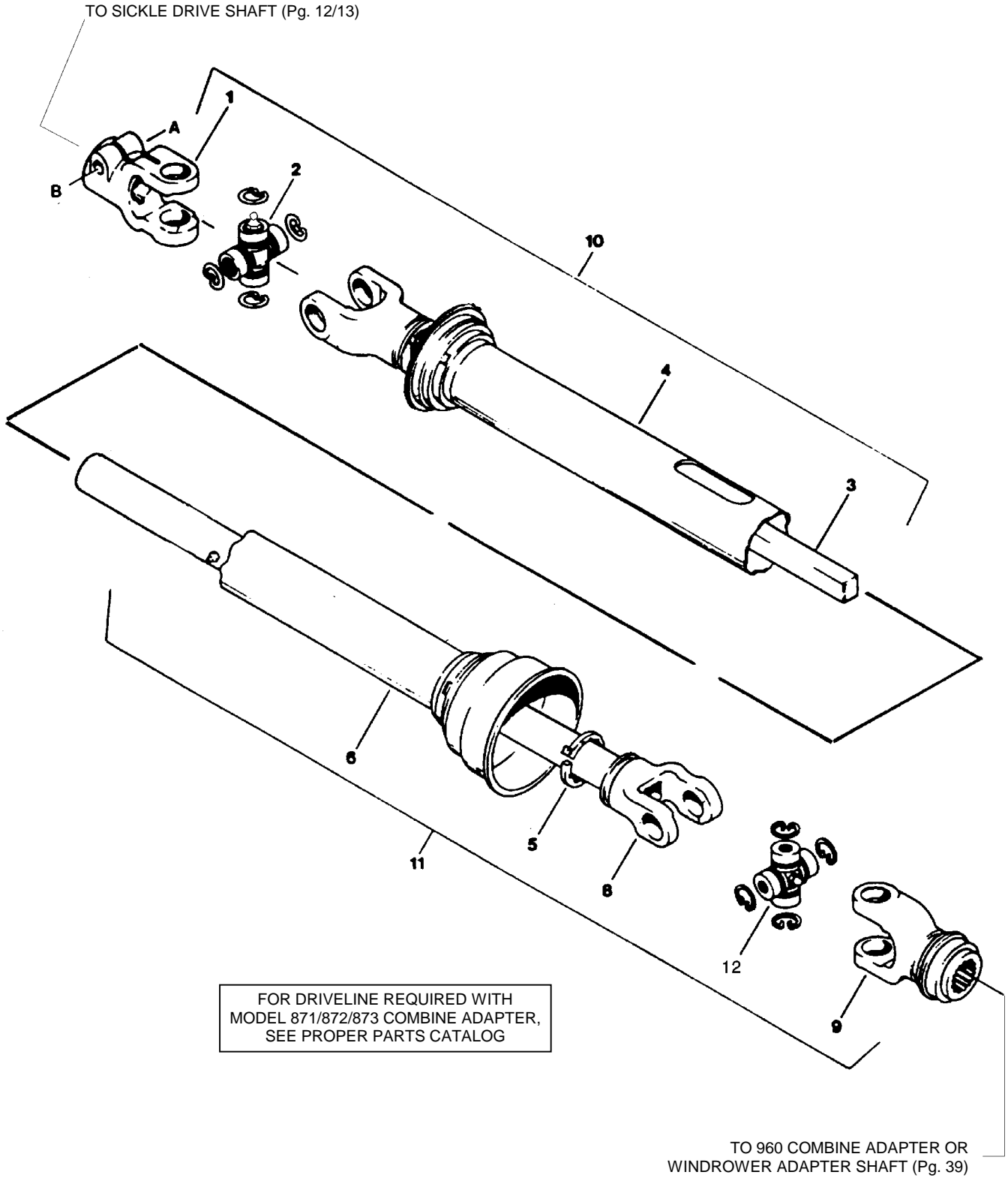


REF	PART NUMBER	DESCRIPTION	QTY	SERIAL NUMBER
1	43286	SHAFT - driveline adapter.....	1	
2	43770	SUPPORT - adapter.....	1	
3	43777	SHIELD - shaft, header end.....	1	
4	21936	BEARING - ball, with collar.....	2	
5	30602	FLANGE - bearing.....	2	
6	30603	FLANGE - bearing, with lube fitting.....	2	
7	1246	WASHER - flat, 802 Center Mount Adapter only.....	1	
8	43301	SUPPORT - linkage adapter, lower leg.....	2	
9	40245	HOSE - draper return (extends hose at header L/H leg).....	1	
10	43626	HOSE - reel lift, (attach to hydraulic line at header L/H leg).....	1	
11	30442	COUPLER - female, 1/4 NPT - attach to header reel lift hose.....	1	
	50083	O-RING - for coupler 30442		
12	21876	PLUG - dust.....	1	
13	121034	SHIELD - shaft, tractor end.....	1	
H	20077	BOLT - hex head, 3/8 NC x 1 inch		
J	18637	WASHER - lock, 3/8 inch		
K	30228	NUT - lock, smooth flange, 3/8 NC distorted thread		
L	19965	BOLT - round head, square neck, 3/8 NC x 1 inch		
M	18666	NUT - lock, 5/8 NC distorted thread		

DRIVELINE

Required when mounting to:

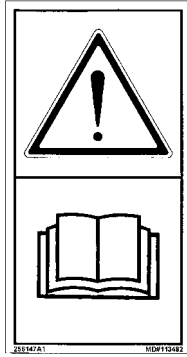
- 960 Combine Adapter
- 9000 Series Windrower Tractor
- Adapters for Bi-Directional Tractor



DRIVELINE
Required when mounting to:
960 Combine Adapter
9000 Series Windrower Tractor
Adapters for Bi-Directional Tractor

REF	PART NUMBER	DESCRIPTION	QTY	SERIAL NUMBER
1	100692	YOKE - clamp, to header drive shaft.....	1	
2	114145	CROSS & BEARING KIT, with lube fitting in end cap	1	
3	NSS	YOKE & SHAFT (order item 10).....	1	
4	100828	SHIELD - outer, with decal	1	
5	32800	BEARING KIT - shield	2	
6	43706	SHIELD - inner (was 101172).....	1	
8	NSS	YOKE & TUBE - (order item 11).....	1	
9	24779	YOKE - spline bore, 1-3/8 x 21 teeth, with slide collar	1	
10	100825	JOINT ASSEMBLY - male half, includes items 1,2,3,4,5.....	1	
11	43707	JOINT ASSEMBLY - female half, includes items 5,6,8,9,12.....	1	
12	30622	CROSS & BEARING KIT, with lube fitting in body of cross	1	
•	100797	DRIVELINE - complete, includes items 10 and 11.....	1	
A	21880	BOLT - hex head, 1/2 NC x 2-3/4 inch		
B	50186	NUT - lock, smooth flange, 1/2 NC distorted thread		

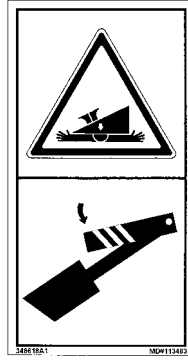
HEADER DECALS & REFLECTORS



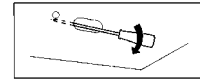
1



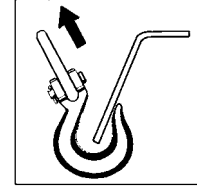
2



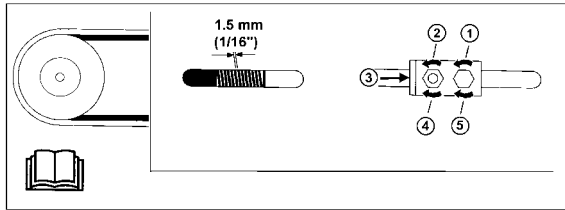
3



4



5



6



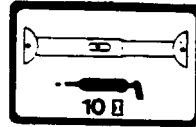
7



8



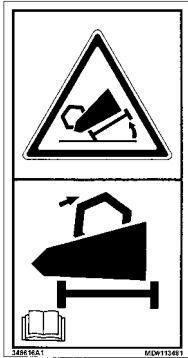
9



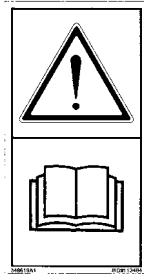
10



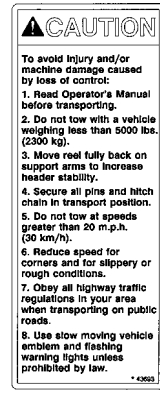
11



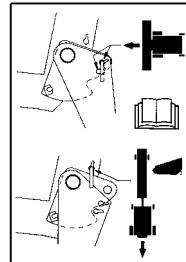
12



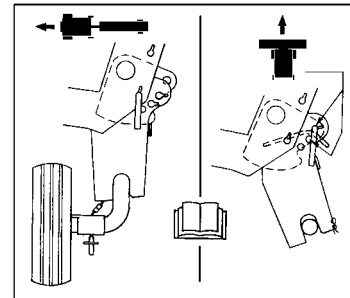
13



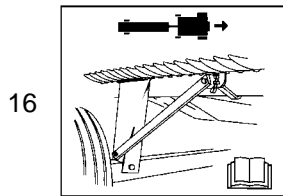
13A



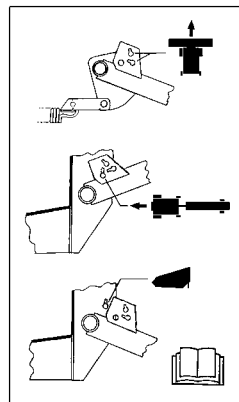
14



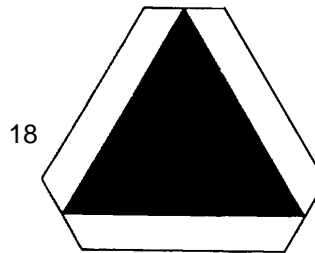
15



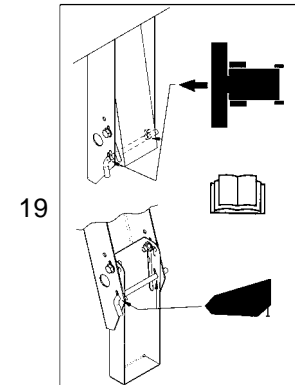
16



17



18

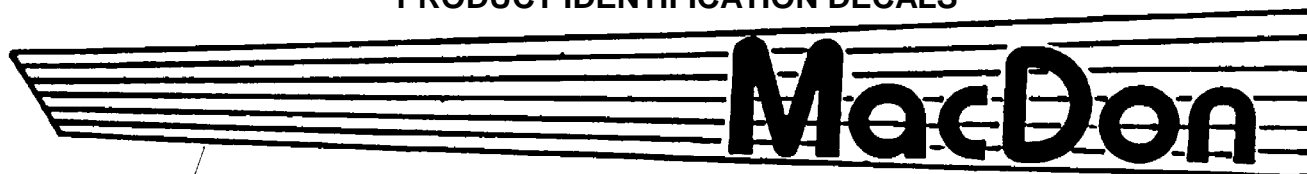


19

HEADER DECALS & REFLECTORS

REF	PART NUMBER	DESCRIPTION	QTY	SERIAL NUMBER
1	113482	DECAL – General Hazard		
2	113480	DECAL – Reel Hazard		
3	113483	DECAL – Header Hazard		
4	113485	DECAL – Shield Opener		
5	113492	DECAL – Lift Here		
6	113494	DECAL – Draper Adjustment		
7	30316	DECAL - DANGER: Rotating Driveline		
8	36651	DECAL - DANGER: Shield Missing		
9	25929	DECAL - 5 Hour Grease, Sickle Head		-124499
	23164	DECAL - 25 Hour Grease, Sickle Head		124500-
	23163	DECAL - 10 Hour Grease		
	23165	DECAL - 50 Hour Grease		
10	24777	DECAL - Driveline Grease		
11	115145	REFLECTOR – Day-Glow Orange		
	115146	REFLECTOR – Amber		
	115147	REFLECTOR - Red		
12	113481	DECAL – Transport Hazard		
13	113484	DECAL – General Hazard, Transport Hitch		
13A	43693	DECAL – Transport Safety		
14	113488	DECAL – Wheel Positions, R/H Transport		
15	113489	DECAL – Wheel Positions, L/H Transport		
16	113491	DECAL – R/H axle, Transport Position		
17	113490	DECAL – Gauge Wheel Positions		
18	43843	REFLECTOR – Slow Moving Vehicle, Transport		
19	119015	DECAL – 963 Header Stand		

PRODUCT IDENTIFICATION DECALS



31

962

32

33 — **962 HARVEST HEADER**34 — **963 HARVEST HEADER**

31	49433	DECAL - L/H Rainbow with MacDon	1	-115999
	49434	DECAL - R/H Rainbow with MacDon	1	-115999
	102533	DECAL - L/H Rainbow with MacDon	1	116000-
	102532	DECAL - R/H Rainbow with MacDon	1	116000-
32	49482	DECAL - 962	2	-115999
33	102534	DECAL - 962 Harvest Header	2	116000-
34	119029	DECAL – 963 Harvest Header	2	

PAINT

	23951	PAINT - black, spray can (25-35 Gloss Level)		-124499
	23955	PAINT- black, 1 litre (25-35 Gloss Level)		-124499
	135148	PAINT – black, spray can (55-65 Gloss Level) (was 25990).....		124500-
	25991	PAINT – black, 1 litre (55-65 Gloss Level)		124500-
	32879	PAINT - white spray can		
	23957	PAINT- white, 1 litre		

NUMERICAL LIST

<u>PART NO.</u>	<u>PAGE</u>	<u>PART NO.</u>	<u>PAGE</u>	<u>PART NO.</u>	<u>PAGE</u>	<u>PART NO.</u>	<u>PAGE</u>
1246	39	18667	11	21936	39	30753	29
2149	9	18671	27	22070	23	30753	31
2149	11	18671	33	22072	21	30753	33
2149	21	18671	37	23064	15	30758	35
4231	37	18704	29	23163	43	30827	35
4453	37	18704	31	23164	43	30852	15
4454	37	18738	9	23165	43	30991	35
5512	35	18738	11	23951	43	31061	33
5512	37	19411	29	23955	43	31062	3
7900	23	19411	31	23957	43	32116	9
7900	35	19681	23	24750	33	32116	11
7900	37	19809	23	24777	43	32202	27
7909	37	19958	23	24779	41	32225	7
7910	23	20117	23	25059	3	32225	9
7910	37	20535	29	25929	43	32225	11
7920	37	20535	31	25991	43	32225	23
8640	9	21010	27	26446	23	32225	29
8640	11	21062	21	26671	9	32416	11
8640	23	21153	37	26847	23	32417	11
11142	13	21194	15	26848	23	32800	41
11529	37	21301	27	27160	27	32879	43
13125	5	21376	35	29168	9	32891	3
13125	33	21402	33	29168	11	32892	3
13125	35	21494	9	29934	9	32893	3
13747	5	21494	11	30282	9	33003	23
15903	29	21495	9	30282	11	33010	23
15903	31	21495	11	30282	29	33265	23
16235	23	21540	35	30282	31	33955	15
16266	5	21545	23	30316	43	34390	15
16539	3	21719	35	30375	9	34391	15
16539	33	21719	37	30375	11	35694	27
16568	9	21763	33	30442	39	35694	33
16568	11	21806	29	30461	33	35694	37
16652	21	21806	31	30516	35	36651	43
16661	3	21855	7	30517	35	36849	9
16661	31	21855	9	30520	35	36849	9
18600	29	21855	11	30521	35	36849	11
18600	31	21855	29	30542	3	37167	7
18601	37	21855	31	30542	9	37167	9
18609	33	21856	9	30550	21	37167	11
18609	37	21856	11	30553	11	37336	23
18624	29	21857	7	30558	7	37345	9
18624	31	21857	9	30602	13	37345	11
18629	23	21857	11	30602	39	37367	3
18648	9	21858	9	30603	13	37442	33
18648	23	21858	11	30603	39	37442	37
18648	29	21862	13	30622	41	37797	9
18648	31	21876	39	30669	15	37830	11
18648	35	21934	13	30696	15	37851	23
18648	37	21936	13	30710	33	37866	23

NUMERICAL LIST

<u>PART NO.</u>	<u>PAGE</u>	<u>PART NO.</u>	<u>PAGE</u>	<u>PART NO.</u>	<u>PAGE</u>	<u>PART NO.</u>	<u>PAGE</u>
37869	23	43629	9	43980	31	49482	43
37881	11	43629	11	43982	33	49486	19
37881	29	43630	9	44210	7	49487	19
37885	23	43633	5	44210	29	49488	19
37912	21	43633	35	44210	31	49489	19
37919	23	43633	37	45153	9	49526	21
37930	15	43640	11	47154	23	49629	23
37948	23	43648	5	47167	23	49633	27
38740	3	43661	9	47832	15	49653	35
38741	3	43661	11	47876	3	49654	35
38894	13	43664	9	49000	29	49660	3
40008	21	43665	11	49000	31	49661	3
40110	27	43666	11	49007	29	49667	15
40245	39	43667	7	49008	29	49670	15
43011	9	43671	7	49008	31	49671	15
43011	11	43672	7	49056	21	50022	11
43077	15	43693	43	49060	33	50082	7
43078	15	43706	41	49060	37	50082	9
43101	3	43707	41	49063	33	50082	11
43102	3	43711	3	49063	37	50083	39
43106	27	43711	33	49065	33	50103	7
43109	27	43768	7	49065	37	50193	3
43145	27	43770	39	49072	37	50212	37
43195	38	43777	39	49073	37	50228	15
43219	21	43779	21	49075	19	52031	15
43219	23	43802	9	49076	3	100039	13
43261	3	43802	11	49080	23	100042	13
43286	39	43803	29	49081	23	100050	13
43301	39	43803	31	49087	23	100102	21
43320	21	43826	33	49102	33	100108	21
43326	23	43828	33	49109	9	100262	21
43464	23	43838	33	49109	11	100265	19
43469	19	43842	33	49121	35	100266	19
43513	21	43843	43	49135	35	100267	19
43517	21	43848	29	49146	35	100268	19
43521	21	43848	31	49154	35	100322	21
43523	21	43853	9	49157	35	100323	21
43530	21	43860	29	49169	19	100399	3
43542	21	43860	31	49209	21	100500	15
43556	21	43870	29	49342	3	100501	15
43558	21	43870	31	49420	15	100502	15
43581	19	43887	29	49433	43	100528	9
43597	9	43887	31	49434	43	100532	15
43612	9	43895	29	49459	27	100532	17
43612	9	43896	29	49460	38	100549	3
43615	7	43951	33	49461	38	100554	13
43624	7	43965	13	49465	38	100556	13
43626	9	43975	33	49468	27	100558	13
43626	11	43977	33	49470	27	100561	13
43626	39	43980	29	49476	27	100655	13

NUMERICAL LIST

<u>PART NO.</u>	<u>PAGE</u>	<u>PART NO.</u>	<u>PAGE</u>	<u>PART NO.</u>	<u>PAGE</u>	<u>PART NO.</u>	<u>PAGE</u>
100692	41	101794	13	113473	3	114229	31
100706	17	101916	7	113474	3	114230	29
100707	17	101917	7	113475	3	114230	31
100708	17	101919	7	113480	43	114234	21
100709	17	102053	15	113481	43	114262	23
100710	17	102176	7	113482	43	115145	43
100712	17	102186	37	113483	43	115146	43
100714	17	102509	3	113484	43	115147	43
100715	17	102532	43	113485	43	115321	15
100716	17	102533	43	113488	43	115670	15
100717	17	102534	43	113489	43	116007	11
100718	17	102629	17	113490	43	116009	11
100719	17	102630	17	113491	43	116010	11
100720	17	102653	11	113492	43	116032	7
100721	17	102836	13	113494	43	116034	7
100722	17	103096	17	113511	3	116035	3
100723	17	103188	21	113518	33	116039	13
100726	17	103217	33	113519	33	116040	13
100730	13	103239	3	113520	33	116059	23
100737	13	103240	3	113523	33	116062	33
100765	3	103330	9	113524	33	118131	11
100766	3	103330	11	113579	33	118157	9
100797	41	103366	23	113580	33	118157	11
100825	41	103392	29	113586	15	118157	29
100828	41	103392	31	113587	15	118157	31
101019	3	103424	15	113698	15	118337	9
101255	21	103441	15	113834	11	118337	11
101292	23	103442	15	113835	11	118345	15
101332	21	103495	19	113937	15	118475	15
101334	33	103495	19	113938	19	119009	5
101334	37	103497	23	113941	15	119015	43
101335	33	103542	19	113962	21	119020	3
101335	37	103554	13	114006	13	119023	3
101336	19	103565	17	114011	33	119024	19
101371	19	103580	11	114027	3	119025	19
101644	21	103605	13	114109	15	119029	43
101648	21	103607	13	114110	29	121003	35
101667	21	103705	15	114110	31	121004	35
101669	21	103712	23	114120	29	121008	19
101670	9	103819	23	114120	31	121009	19
101670	11	103820	11	114127	3	121028	29
101670	21	103829	23	114141	29	121028	31
101674	19	108222	13	114141	31	121029	23
101696	21	113152	17	114142	29	121031	23
101718	19	113153	17	114142	31	121032	29
101777	19	113222	15	114143	29	121032	31
101778	19	113229	15	114143	31	121033	31
101779	19	113232	15	114145	41	121034	39
101786	19	113429	21	114195	7	135148	43
101787	19	113471	3	114229	29	137035	27

NUMERICAL LIST

<u>PART NO.</u>	<u>PAGE</u>	<u>PART NO.</u>	<u>PAGE</u>	<u>PART NO.</u>	<u>PAGE</u>	<u>PART NO.</u>	<u>PAGE</u>
139003	17						
B 2823	29						
B 2825	29						
B 2825	31						
B 2826	29						
B 2826	31						
B 2827	29						
B 2827	31						
C 1359	38						

Model 962/963 Harvest Header SUGGESTED STOCKING LIST

P.C. REF	PART NUMBER	DESCRIPTION	SUGGESTED QTY.		ORDER QTY	UNIT PRICE	EXT. PRICE
			2 UNITS	5 UNITS			
<u>MAIN FRAME, LIGHTS & ATTACHMENTS</u>							
- Parts Catalog Pg 3							
10	50193	PIN - lynch	1	2			
34	100765	PIN - clevis	1	2			
<u>REEL LIFT & REEL DRIVE HYDRAULICS</u>							
- Parts Catalog Pg 9							
7	118157	SEAL KIT - double acting cylinder	1	2			
14	21495	SEAL KIT - single acting cylinder	1	2			
28	101670	SEAL KIT - hydraulic motor	1	1			
<u>36' REEL LIFT HYDRAULICS - Parts Catalog Pg 11</u>							
4	113835 *	SEAL KIT - for center cylinder	1	1			
<u>DRIVE SHAFT ASSEMBLY - Parts Catalog Pg 13</u>							
3	30602	FLANGE - bearing	1	2			
4	30603	FLANGE - bearing, with lube fitting	1	2			
5	21936	BEARING - ball, with lock collar	1	2			
11	114006 ●	BELT - sickle drive	1	3			
	108222 ▲	BELT - sickle drive	1	3			
14	11142	KEY - Woodruff, SAE #C	1	2			
<u>SICKLE & DRIVE - Parts Catalog Pg 15</u>							
3	113698	ARM - output	1	3			
4	113229	PIN - sickle head	2	4			
7	100500	BEARING - needle	1	3			
8	113222	SEAL - sickle head	1	3			
9	49670	BAR - reinforcing, pkg. of 77	3	5			
10	49667	SICKLE - fine, less head: L/H	1	3			
11	34390	SECTION - fine, sickle, top-serrated	50	200			
12	34391	SECTION - sickle, half	2	8			
13	43077 *	SICKLE - fine, R/H, 30'	1	3			
	43078 *	SICKLE - fine, R/H, 36'	1	3			
14	30696	SCREW - sickle section	50	200			
15	49671	SCREW - sickle head & splice pl.	15	60			
16	30669	NUT - sickle	50	200			
17	33955	BAR - splice	1	1			
18	118345	SICKLE GUARD - left end	3	10			
19	23064	SICKLE GUARD	10	100			
20	49420	GUIDE - sickle, hold-down	10	40			
21	30852	SCREW - sickle head	15	60			
24	113941	BAR - reinforcing	1	2			
25	115321	HEAD ASSEMBLY - sickle	2	4			

● - Windrower and following Combines: John Deere, Case, Gleaner, New Holland

▲ - Cat Lexion Combine only

* - Order to suit header sizes sold.

Continued next page...

**Model 962/963 Harvest Header
SUGGESTED STOCKING LIST**

P.C. REF	PART NUMBER	DESCRIPTION	SUGGESTED QTY.		ORDER QTY	UNIT PRICE	EXT. PRICE
			2 UNITS	5 UNITS			
<u>SICKLE DRIVE BOX - Parts Catalog Pg 17</u>							
	100532	DRIVE - sickle, complete	0	1			
1	100706	YOKE - output	0	1			
2	100707	SEAL - oil, output shaft	2	4			
3	100708	BUSHING - bronze	1	2			
5	100726	BUSHING - steel	1	2			
8	100710	SHAFT - input	0	1			
10	100712	O-RING	1	2			
11	102630	SEAL - oil, input shaft	1	2			
12	100714	BEARING ASS'Y - cup & cone	1	2			
16	100717	BEARING ASS'Y - cup & cone	1	2			
18	100719	CAP - dust	1	2			
20	100720	BEARING ASS'Y - cup & cone	2	4			
21	100721	PIVOT	0	1			
22	100722	RING - retaining, internal	2	4			
23	100723	BUSHING - bronze	2	4			
<u>DRAPERS & CARRIER DECKS - Parts Catalog Pg 19</u>							
6	103495	PLATE - top guide	0	1			
25	100265 *	DRAPER - left side, 30 ft. header	0	1			
	100266 *	DRAPER - right side, 30 ft. header	0	1			
	100267 *	DRAPER - left side, 36 ft. header	0	1			
	100268 *	DRAPER - right side, 36 ft. header	0	1			
	49169	DRAPER - extension piece	1	2			
26	43469	SLAT - connector kit	2	3			
<u>DRAPER ROLLERS - Parts Catalog Pg 21</u>							
5	40008	WASHER - flat	1	2			
6	30550	BEARING - ball, drive roller	2	6			
7	101648	SUPPORT - drive roller	1	2			
12	21062	BEARING - ball, idler roller	2	4			
13	43523	WASHER - flat	1	2			
<u>BAT REEL - Parts Catalog Pg 27</u>							
6	35694	BUSHING - reel support	3	5			
9	43145	ARM - reel	1	3			
<u>TRANSPORT OPTION - Parts Catalog Pg 33 & 35</u>							
10	43826 *	PIN - L	0	1			
3	43633 *	PIN - L, with roll pin	1	2			
21	49146 *	BAR - locking	1	2			
<u>DRIVELINE for 960 Combine Adapter, 9000 Tractor & 9030 Adapters - Parts Catalog Pg 41</u>							
2	114145	CROSS & BEARING KIT	1	2			
12	30622	CROSS & BEARING KIT	1	2			
<u>PAINT - Parts Catalog Pg 43</u>							
	25991	PAINT - black, 1 litre	1	1			
	23957	PAINT - white, 1 litre	1	1			

* - Order to suit header sizes and types sold.