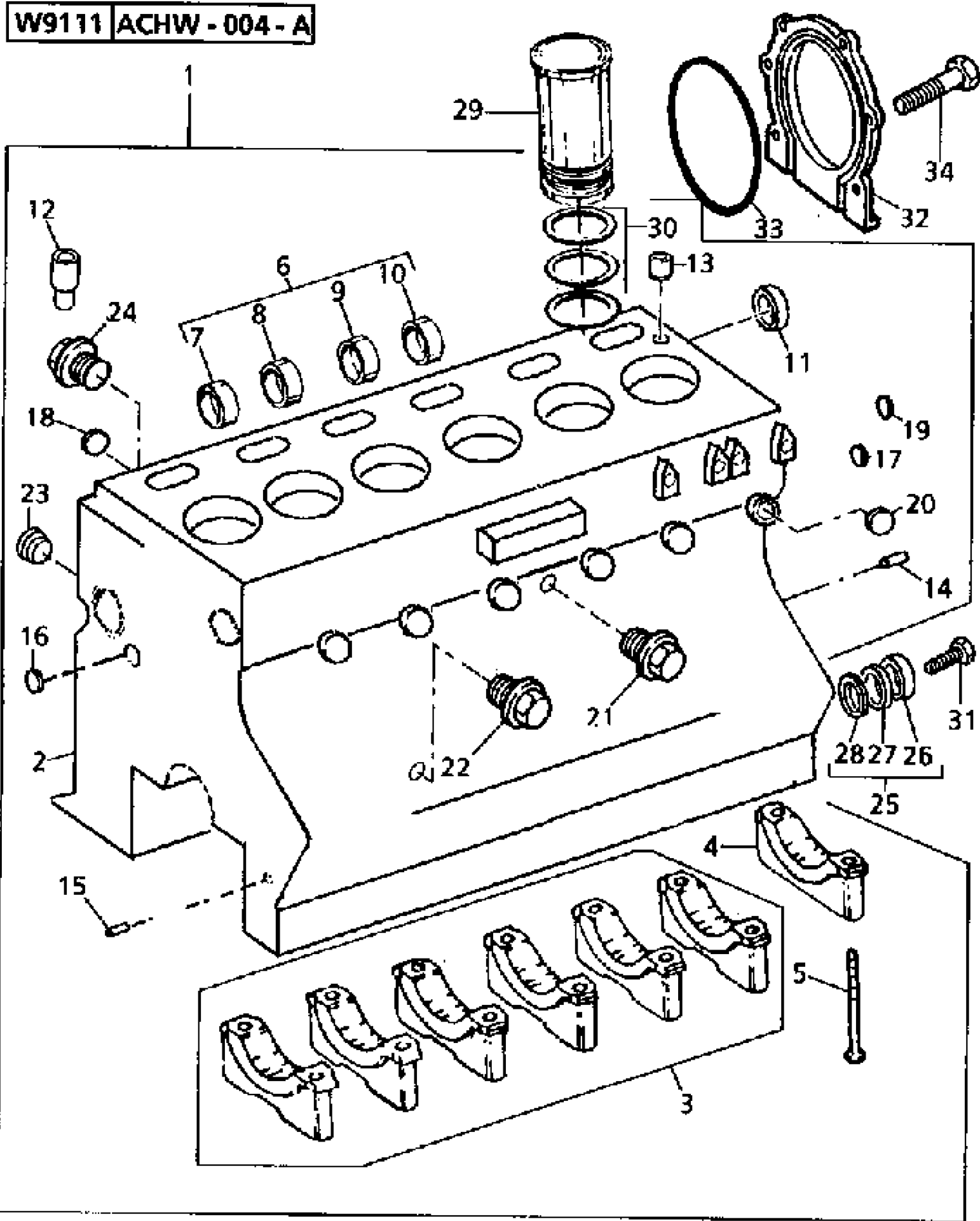


W9111 ACHW - 004 - A



(A) REFER TO CRANKSHAFT SECTION (B) WAS 1820852C94, 1820852C93, 1820852C92, 1820852C91

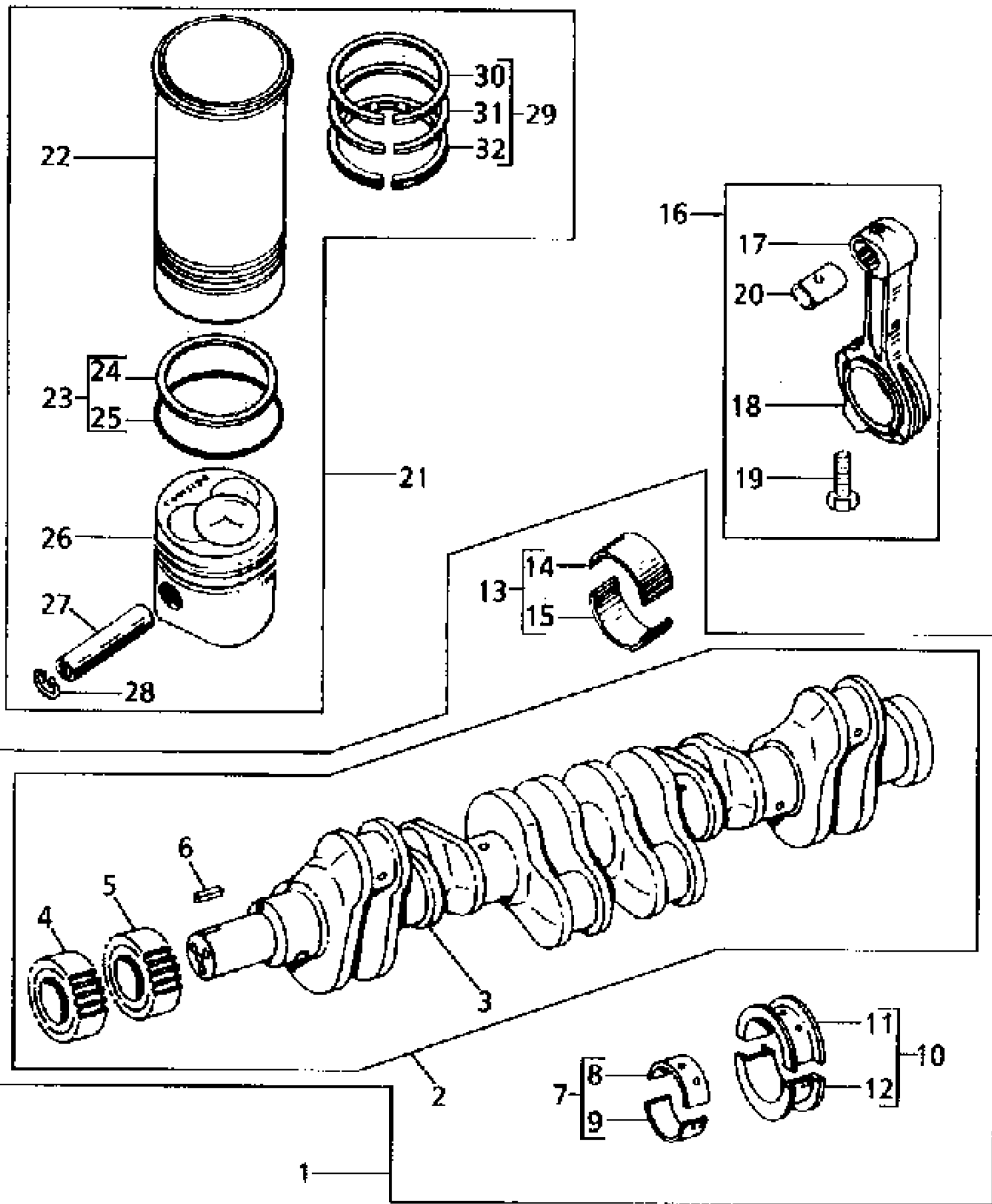
## 1006-6T ENGINE

## 01 CYLINDER BLOCK

Ref	Part Number	Qty	Description
1	1820852C95	1	Cylinder block, was 1820852C94, 1820852C93, 1820852C92, 1820852C91
2		1	Block 1, Order Ref.1
3		6	Cap 1, Order Ref.1
4		1	Cap 1, Order Ref.1
5	1817356C1	14	Bolt metric 1
6	680117C3	1	Kit, bearing 1, Repairs And Replaces 680117C2
7		1	Bush 6, Order Ref.6
8		1	Bush 6, Order Ref.6
9		1	Bush 6, Order Ref.6
10		1	Bush 6, Order Ref.6
11	682444C1	1	Seal 1
12	343464R1	12	Jet 1
13	684902C1	2	Dowel 1
14	680484C1	2	Dowel 1
15	680483C1	2	Dowel 1
16	40005R1	1	Plug 1, Repairs And Replaces 327412R1
17	40005R1	2	Plug 1, Repairs And Replaces 327412R1
18	23623R1	2	Plug 1
19	23623R1	1	Plug 1
20	23623R1	6	Plug 1
21	444625	1	Plug 1
22	444612	1	Plug 1
23	1826342C1	4	Plug 1, Repairs And Replaces 50410DA
24	9409949	3	Plug 1
25		1	Seal, See Appropriate Section - Reference
26		1	Seal 25, Order Ref.25
27		1	Sleeve 25, Order Ref.25
28		1	Spacer 25, Order Ref.25
29		6	Liner, refer to crankshaft section
30		1	Kit, seal, refer to crankshaft section
31	1817958C1	6	Bolt metric
32		1	Housing, See Appropriate Section - Reference
33		1	O ring, See Appropriate Section - Reference
34		6	Bolt metric, See Appropriate Section - Reference

(A) REFER TO CRANKSHAFT SECTION (B) WAS 1820852C94, 1820852C93, 1820852C92, 1820852C91

**W9123 | ACHW -001-C**



(A) PART NUMBER DETAILS CAN BE FOUND UNDER THE ENGINE RATING OPTION PACK PREFIXED "M"

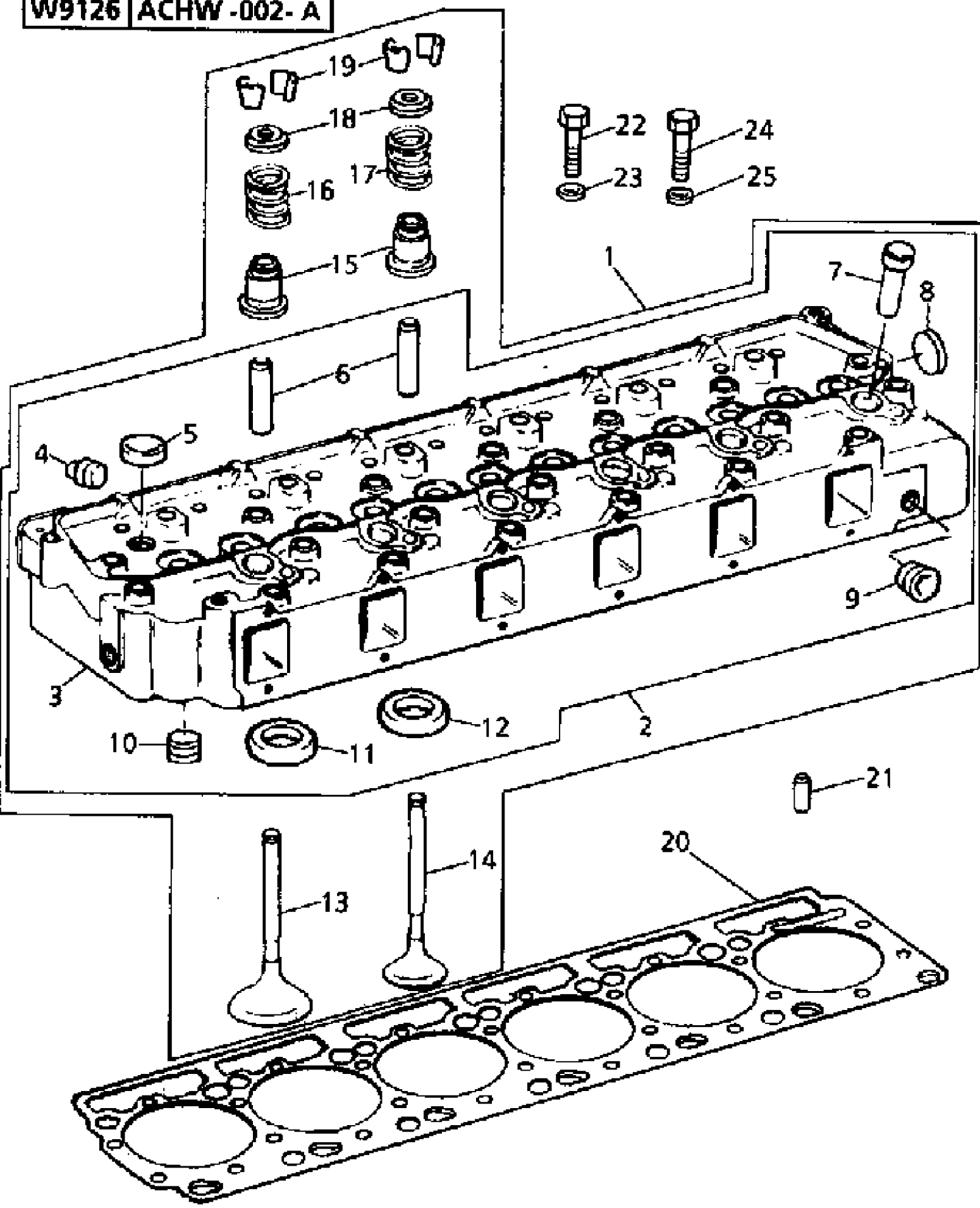
## 1006-6T ENGINE

## 03 CRANKSHAFT, PISTONS AND CONNECTING RODS

Ref	Part Number	Qty	Description
1		1	Kit, crankshaft T.B.A
2	1821981C91	1	Crankshaft 1
3		1	Crankshaft 2, Order Ref.2
4	675364C1	1	Gear 2
5	1820299C1	1	Gear 2
6	17135R1	1	PIN, 5/32" x 5/16", Slotted, 2
7	1822321C91	6	Main bearing 1
7	1822490C91		UAR Kit, bearing Thickness (-)0.010"
7	1822491C91		UAR Kit, bearing Thickness (-)0.020"
7	1822492C91		UAR Kit, bearing Thickness (-)0.030"
8		1	Bearing 7, Order Ref.7
9		1	Bearing 7, Order Ref.7
10	1822379C91	1	Main bearing 1
10	1822494C91		UAR Kit, bearing Thickness (-)0.010"
10	1822495C91		UAR Kit, bearing Thickness (-)0.020"
10	1822496C91		UAR Kit, bearing Thickness (-)0.030"
11		1	Bearing shell 10, Order Ref.10
12		1	Bearing shell 10, Order Ref.10
13	1822389C91	6	Kit, bearing 1
13	1822486C91		UAR Kit, bearing Thickness (-)0.010"
13	1822487C91		UAR Kit, bearing Thickness (-)0.020"
13	1822488C91		UAR Kit, bearing Thickness (-)0.030"
14		1	Bearing shell 13, Order Ref.13
15		1	Bearing shell 13, Order Ref.13
16	1818597C92	6	Conrod Repairs And Replaces 1818597C91
17		1	Conrod 16, Order Ref.16
18		1	Bearing cap 16, Order Ref.16
19	1817537C1	2	Bolt 16
20	1818598C1	1	Bush 16
21		6	Kit, cylinder, part number details can be found under the engine rating option pack prefixed "M"
22		1	Liner 21, part number details can be found under the engine rating option pack prefixed "M"
23		1	Kit, seal 21, part number details can be found under the engine rating option pack prefixed "M"
24		1	Seal 23, Order Ref.23
25		1	O ring 23, Order Ref.23
26		1	Piston 21, part number details can be found under the engine rating option pack prefixed "M"
27		1	Gudgeon pin 21, part number details can be found under the engine rating option pack prefixed "M"
28		2	Circlip 21, part number details can be found under the engine rating option pack prefixed "M"
29		1	Kit, piston ring 21, part number details can be found under the engine rating option pack prefixed "M"
30		1	Piston ring 29, Order Ref.29
31		1	Piston ring 29, Order Ref.29
32		1	Piston ring 29, Order Ref.29

(A) PART NUMBER DETAILS CAN BE FOUND UNDER THE ENGINE RATING OPTION PACK PREFIXED "M"

W9126 ACHW -002- A

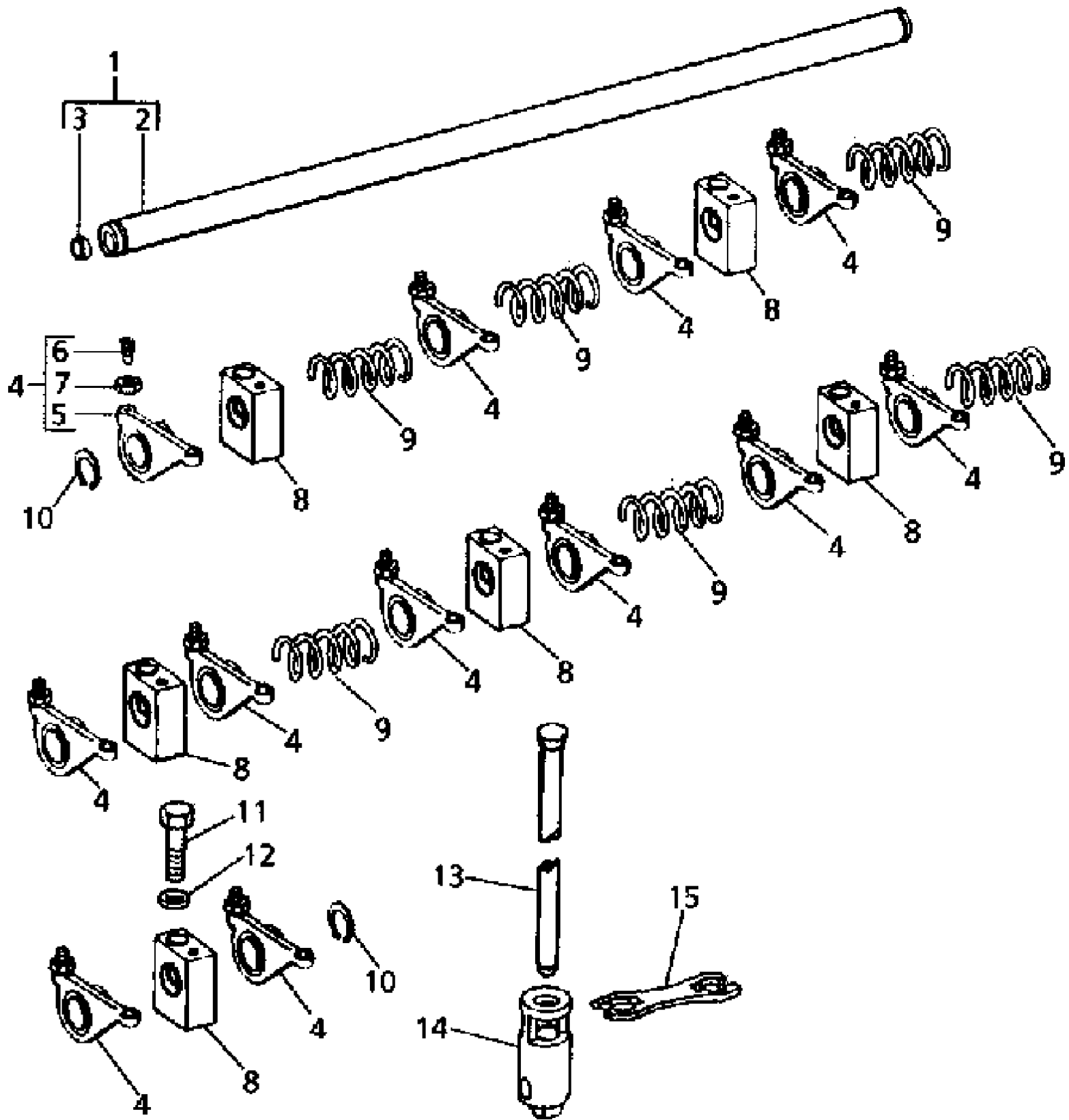


## 1006-6T ENGINE

## 05 CYLINDER HEAD

Ref	Part Number	Qty	Description
1	1824639C93	1	Kit, cyl. head, Repairs And Replaces 1824639C92 Repairs And Replaces 1824639C91, Used only with 1824639C91, 1824639C92, and 1824639C93.
2	1824640C91	1	Kit, cyl. head 1, Repairs And Replaces 1822369C91
3		1	Cylinder head 2, Order Ref.2
4	444650	1	Plug 2
5	445751	6	Plug 2
6	1820264C1	12	Guide 2, Used only with 1822369C91.
6	1824646C1	12	Guide 2, Used only with 1824640C91.
7	675442C1	6	Sleeve 2
8	445751	6	Plug 2
9	9409949	1	Plug 2
10		12	Plug 2, Not fitted on this application.
11	675043C1	6	Insert 2, inlet
12	675450C3	6	Insert, 2, exhaust, Repairs And Replaces 675450C2
12	671563C3	X	Insert, exhaust
12	671565C3	X	Insert, exhaust
13	1818580C1	6	Valve inlet 1, Used only with 1822368C91.
13	1824642C2	6	Valve inlet, 1, Used only with 1824639C91, 1824639C92, and 1824639C93.
14	1818579C1	6	Valve exhaust 1, Used only with 1822368C91.
14	1824643C1	6	Valve exhaust 1, Used only with 1824639C91, 1824639C92, and 1824639C93.
15	1822245C1	12	Seal, 1, Used only with 1822368C91.
15	1823925C1	12	Seal 1, Used only with 1824639C91, 1824639C92, and 1824639C93.
16	677349C1	6	Spring 1, inlet
17	1825540C1	6	Spring, 1, exhaust
18	1820826C91	12	Rotator 1, Contains 1819380C1, Used only with 1822368C91.
18	1824680C1	12	Rotator 1, Contains 1824683C1 seal., Used only with 1824639C91, 1824639C92, and 1824639C93.
19	1810944C1	24	Key 1, Used only with 1822368C91.
19	1824644C1	24	Key 1, Used only with 1824639C91, 1824639C92, and 1824639C93.
20	1817562C4	1	Head gasket, Repairs And Replaces 1817562C3
21		2	Dowel, Refer to cylinder block section.
22	1817352C1	20	Bolt
23	1814757C1	20	Washer
24	1817355C1	6	Bolt
25	1814757C1	6	Washer

**W9131 ACHW-001-A**



(A) REFER TO CYLINDER HEAD SECTION (B) USED ONLY WITH 1822368C91 (C) USED ONLY WITH 1824639C91

## 1006-6T ENGINE

## 08 ROCKER SHAFT

Ref	Part Number	Qty	Description
1	675660C92	1	Rockershaft assy
2		1	Rocker shaft 1, Order Ref.1
3	291171C1	2	Plug 1
4	1820830C91	12	Rockerarm, used only with 1822368C91
4	1823924C91	12	Rockerarm, used only with 1824639C91
5		1	Lever 4, Order Ref.4
6	16067DA	1	Screw 4
7	133093R1	1	Nut 4
8	1822199C1	6	Bracket
9	675105C1	5	Spring
10	24577R1	2	Ring, Snap, #84, Ext
11		6	Screw, refer to cylinder head section
12		6	Washer, refer to cylinder head section
13	1809589C2	12	Pushrod Repairs And Replaces 1809589C1
14	1809570C1	12	Tappet
15	1813892C1	6	Guide

(A) REFER TO CYLINDER HEAD SECTION (B) USED ONLY WITH 1822368C91 (C) USED ONLY WITH 1824639C91



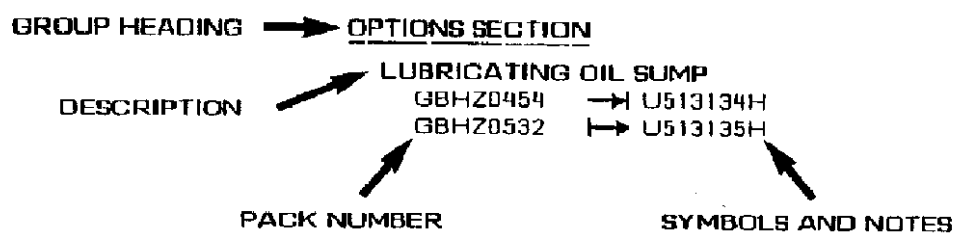
## GENERAL INFORMATION

## 1. ENGINE LIST INDEX

## (i) EXAMPLE

<u>CORE UNIT SECTION</u>	<u>PAGE No.</u>	<u>OPTIONS SECTION</u>	<u>PAGE No.</u>	<u>ACCESSORIES SECTION</u>	<u>PAGE No.</u>
CYLINDER BLOCK		FUEL INJECTION EQUIPMENT ( DIESEL )		MOUNTINGS ( FRONT AND REAR )	
ACHZ0020	1	AFHZ0040	22	ZCHZ0250	65
CRANKSHAFT, PISTONS AND CONNECTING RODS		STARTER MOTOR		HEATER / STARTER SWITCH	
ACHZ0020	4	EQHZ0208	27	ZCHZ0408	68
CYLINDER HEAD		LUBRICATING OIL SUMP		TEMPERATURE GAUGE AND SENDER	
ACHZ0020	7	GBHZ0454 → U513134H	28	ZLHZ0084	68
		GBHZ0532 → U513135H	31		

## ( ii ) EXPLANATION



1006-6T ENGINE

0-A GENERAL INFORMATION

Ref	Part Number	Qty	Description

## INFORMATION GENERALES

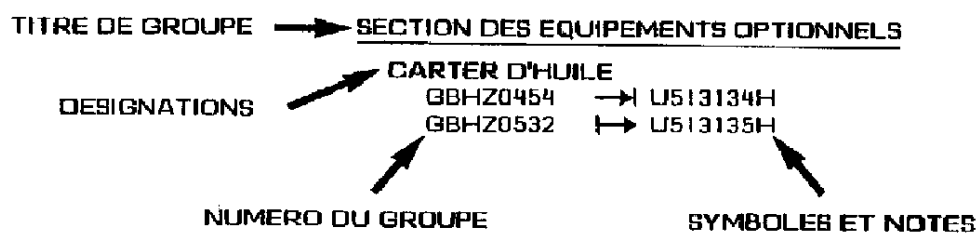
2

## 1. COMPOSITION DE LA LISTE MOTEUR

## (i) EXEMPLE

<u>SECTION DES EQUIPEMENT DE BASE</u>	No. DE PAGE.	<u>SECTION DES EQUIPEMENTS OPTIONNELS</u>	No. DE PAGE.	<u>SECTION DES EQUIPEMENTS ACCESSOIRES</u>	No. DE PAGE.
BLOC-CYLINDRES ACHZ0020	1	EQUIPEMENT D'INJECTION (DIESEL) AFHZ0840	22	SUPPORTS (AV. ET AR.) ZCHZ0250	65
VILEBREQUIN PISTONS ET BIELLES ACHZ0020	4	DEMARREUR EDHZ0208	27	CONTRACTEUR CHAUFFAGE/DEMARRAGE ZEHZ0408	66
CULASSE ACHZ0020	7	CARTER D'HUILE GBHZ0454 → U513134H GBHZ0532 → U513135H	28 31	MANOMETRE TEMPERATURE TRANSMETTEUR ZLHZ0064	66

## (ii) EXPLICATIONS



1006-6T ENGINE

0-B

Ref	Part Number	Qty	Description

## ALLGEMEINE HINWEISE

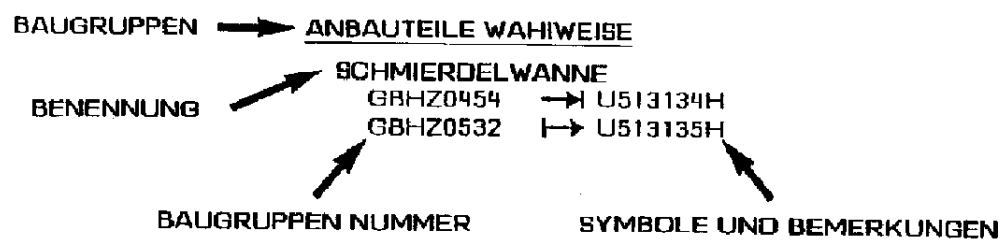
3

## I. BAUGRUPPENVERZEICHNIS

## (i) BEISPIEL

<u>GRUNDMOTOR</u>	<u>SEITENNUMMER.</u>	<u>ANBAUTEILE WAHWEISE</u>	<u>SEITENNUMMER.</u>	<u>ZUBEHOER</u>	<u>SEITENNUMMER.</u>
ZYLINDERBLOCK ACHZ0020	1	EINSPRITZANLAGE (DIESEL) AFHZ0640	22	MOTORENAUFHAENGUNGEN (VORNE UND HINTEN) ZDHZ0250	65
KURBELWELLE, KOLBEN UND PLEUEL ACHZ0020	4	ANLASSER EDHZ0208	27	GLUEH/ANLASSCHALTER ZEHZ0408	66
ZYLINDERKOPF ACHZ0020	7	SCHMIERDELWANNE GBHZ0454 → U513134H GBHZ0532 → U513135H	28 31	TEMPERATURANZEIGER UND -GEBER ZLHZ0064	68

## (ii) ERLAUTERUNG



1006-6T ENGINE

0-C

Ref	Part Number	Qty	Description

## INFORMAZIONE GENERALI

4

## I INDICE LISTA MOTORE

## (i) ESEMPIO

<u>SEZIONE PARTI INTERNE</u>	<u>NUMERO DI PAGINA</u>	<u>SEZIONE PARTI A RICHIESTA</u>	<u>NUMERO DI PAGINA</u>	<u>SEZIONE ACCESSORI</u>	<u>NUMERO DI PAGINA</u>
MONOBLOCCO		EQUIPAGGIAMENTO INIEZIONE NAFTA (DIESEL)		MONTAGGI (ANTERIORE E POSTERIORE)	
ACHZ0020	1	AF1120604	22	ZCHZ0250	65
ALBERO A MANOVELLA-BIELLE E PISTONI		MOTORING AVVIAMENTO		CANDELETTA/INTERRUTTORE D'AVVIAMENTO	
ACHZ0020	4	EDHZ0208	27	ZEHZ0408	68
TESTATA		<b>COPPA OLIO</b>		BULBO E MANOMETRO TEMPERATURA	
ACHZ0020	7	GBHZ0454 → U513134H	28	ZLHZ0064	68
		GBHZ0532 → U513135H	31		

## (ii) SPIEGAZIONE



1006-6T ENGINE

0-D

Ref	Part Number	Qty	Description





1006-6T ENGINE

0-E

Ref	Part Number	Qty	Description

**GENERAL INFORMATION / INFORMATION GENERALES / ALLGEMEINE HINWEISE /  
INFORMAZIONE GENERALI / INFORMACION GENERAL**

2. TEXT PART NUMBER REFERENCE LISTS	(i) EXAMPLE
2. LISTES DES NUMEROS DE REFERENCE DES PIECES	(i) EXEMPLE
2. BAUGRUPPENTEXTSEITE	(i) BEISPIEL
2. ELENCO DEI PARTICOLARI DI RICAMBIO	(i) ESEMPIO
2. LISTAS DE REFERENCIA DE LOS NUMEROS DE PIEZA	(i) EJEMPLO

A	B	C	D	E	F	G	G	G
1	*	41313007	1	→	U510601F	1	WATER PUMP	POMPE A EAU POMPA ACQUA WASSERPUMPE
1	*	41313011	1	→	U510602F	1	WATER PUMP	POMPE A EAU POMPA ACQUA WASSERPUMPE
2			1	⇒	REF. 1	1	BODY	CORPS CORPO KOERPER
3			1	⇒	REF. 25	1	SHAFT	ARBRE WELLE ARBOL
4		2721A535	1	(A)		1	CIRCLIP	SEGMENT D' ARRET ANELLO D' ARRESTO SICHERUNGSRING CIRCUITO

43

**H****(ii) EXPLANATION**

- COL. A - ILLUSTRATION REFERENCE NUMBER**
- \* B - AN ASTERISK INDICATES A CHANGE SINCE LAST PRINT
  - \* C - PART NUMBER
  - \* D - ITEM ALSO A COMPONENT OF AN ASSEMBLY. SEE ASSEMBLY ILLUSTRATION NUMBER INDICATED.
  - \* E - REMARKS (SEE SYMBOLS AND NOTES)
  - \* F - QUANTITY REQUIRED (SEE NOTE BELOW)
  - \* G - DESCRIPTION ENGLISH, FRENCH, GERMAN, ITALIAN AND SPANISH.
  - \* H - PAGE NUMBER

1006-6T ENGINE

0-F GENERAL INFORMATION

Ref	Part Number	Qty	Description

**(ii) EXPLICATIONS**

- COL. A - NUMERO REPERE DE L'ILLUSTRATION**
- **B - UN ASTERISQUE INDIQUE UN CHANGEMENT DEPUIS LA DERNIERE EDITION**
  - **C - REFERENCE DE LA PIECE**
  - **D - PIECE COMPRISE DANS L'ENSEMBLE PORTANT LE NUMERO REPERE INDIQUE VOIR L'ILLUSTRATION D'ENSEMBLE**
  - **E - REMARQUES(VOIR SYMBOLES ET NOTES)**
  - **F - QUANTITE(VOIR NOTE CI-DESSOUS)**
  - **G - DESIGNATIONS - ANGLAIS, FRANCAIS, ALLEMAND, ITALIEN, ESPAGNOL**
  - **H - No. DE PAGE**

**(ii) ERLAUTERUNG**

- SPALTE A - BILDNUMMER**
- **B - EIN STERN BEDEUTET AENDERUNG GEGENUEBER VORIGER AUSGABE**
  - **C - ERSATZTEILNUMMER**
  - **D - IM KOMPLETTEIL (BILDNUMMER) ENTHALTEN**
  - **E - ANMERKUNGEN (SIEHE SYMBOLE UND BEMERKUNGEN)**
  - **F - ERFORDERLICHE ANZAHL (SIEHE UNTEN)**
  - **G - BENENNUNG - ENGLISCH, FRANZOESISCH, DEUTSCH, ITALIENSCH UND SPANISH**
  - **H - BEITENNUMMER**

**(iii) SPIEGAZIONE**

- COL. A - NUMERO DI RIFERIMENTO DELL'ILLUSTRAZIONE**
- **B - UN ASTERISCO INDICA UNA VARIAZIONE RISPETTO ALL ULTIMA EMISSIONE**
  - **C - NUMERO DEL RICAMBIO**
  - **D - IL PARTICOLARE E'ANCHE COMPONENTE DI UN GRUPPO IL CUI NUMERO DI ILLUSTRAZIONE E'INDICATO IN QUESTA COLONNA**
  - **E - NOTE (VEDERE SIMBOLI E NOTE)**
  - **F - QUANTITA RICHIESTA (VEDERE NOTA A SEQUITO)**
  - **G - DESCRIZIONE - INGLESE, FRANCESE, TEDESCO, ITALIANO E SPAGNOLO**
  - **H - NUMERO DI PAGINA**

**(iii) EXPLICACION**

- COL. A - NO. DE REFERENCE DEL DIBUJO**
- **B - UN ASTERISCO UNA MODIFICACION DESDE LA ULTIMA EDICION**
  - **C - DESDE LA ULTIMA EDICION**
  - **D - PIEZA INCLUIDA EN UN CONJUNTO. VER EL DIBUJO DEL CONJUNTO**
  - **E - OBSERVACIONES (VER SIMBOLOS Y NOTAS)**
  - **F - CANTIDAD DESEADA (VER NOTA ABAJO)**
  - **G - DESIGNACION - INGLES, FRANCOES, ALEMAN, ITALIANO Y ESPANOL**
  - **H - NO. DE PAGINA**

1006-6T ENGINE

0-G GENERAL INFORMATION

Ref	Part Number	Qty	Description

**(iii) SPECIAL NOTES**

A NUMERICAL INDEX CAN BE FOUND AT THE REAR OF THIS PARTS BOOK  
THE QUANTITY SHOWN IN COLOUMN 'F' IS THE QUANTITY REQUIRED FOR THE  
PARTICULAR APPLICATION THAT IS ILLUSTRATED. WHERE THESE PARTS ARE  
COMPONENTS OF AN ASSEMBLY, THIS REFERS TO THE QUANTITY IN ONE  
ASSEMBLY OR SUB-ASSEMBLY.

FOR PARTS SUCH AS SHIMS, WASHERS ETC., AN 'X' IN THE QUANTITY COLUMN  
MEANS "QUANTITY AS REQUIRED"

IF A SUITABLE SYMBOL IS NOT AVAILABLE, A FOOTNOTE ALPHA CHARACTER  
IN BRACKETS WILL BE INSERTED AGAINST THE APPROPRIATE PARTS.

ONLY THE FOOTNOTE(S) WHICH ARE APPLICABLE TO YOUR APPLICATION WILL  
BE SHOWN AT THE FOOT OF THE TEXT PAGE.

**EXAMPLE:-**

CRANKSHAFT, PISTONS AND RODS - PLATE A  
PACK ACHT 9999

1 - XXXXX 1 CRANKSHAFT KIT  
2           1 CRANKSHAFT (G)

A - PRE FINISHED	} NOTES: B - C - E - F ARE NOT REQUIRED FOR THIS APPLICATION
D - UN TOPPED	
G - ORDER ASSEMBLY	

**(iii) NOTES SPECIALES**

UN INDEX NUMERIQUE DES NUMEROS DE PIECE SE TROUVE AU BOUT DE CE CATALOGUE  
LA QUANTITE INDIQUEE DANS LA COLONNE 'F' EST CELLE NECESSAIRE  
A L' APPLICATION PARTICULIERE ILLUSTRÉE. LORSQUE LES PIECES SONT  
COMPOSANTES D'UN ENSEMBLE LA QUANTITE DONNEE CORRESPOND A UN  
SEUL ENSEMBLE OU SOUS ENSEMBLE.

POUR DES PIECES TELLES QUE DALES D'ESPASSEUR, RONDELLES, ETC.,  
UN "X" DANS LA COLONNE QUANTITE SIGNIFIE "SUIVANT BESOIN".

SI UN SYMBLE CONVENABLE N'EST PAS DISPONIBLE, UN REPERE, CARACTERE  
ALPHABETIQUE ENTRE PARENTHESES, SERA MENTIONNE EN REGARD DE LA  
PIECE CONCERNEE.

A LA FIN DU CHAPITRE, SEULE UNE NOTE EN REGARD DU REPERE, SERA UTILISEE  
SI ELLE EST VALABLE POUR CETTE APPLICATION.

1006-6T ENGINE

0-H GENERAL INFORMATION

Ref	Part Number	Qty	Description



**EXEMPLE:**

VILLEBREQUIN, PISTONS ET BIELLES - PLANCHE A  
 GROUPE ACHT 9889

1 - XXXXX 1 VILLEBREQUIN JEU

2 1 VILLEBREQUIN (G)

A - PRE-AJUSTE

D - A AJUSTER

G - COMMANDER L'ENSEMBLE

} NOTES: B - C - E - F  
 NE SONT PAS REQUISES  
 POUR CETTE APPLICATION

**(iii) BESONDERE HINWEISE:**

EIN TEILENUMERISCHER INDEX IST AM ENDE DES ERSATZTEILKATALOGES ENHALTEN  
 DIE IN SPALTE 'F' ANGEGEBENE STUECKZAHL WIRD FUER DIE ABGEBILDETE  
 AUSFUHRUNG BENOETIGT. SIND DIESER TEILE BESTANDTEIL EINES KOMPLETTEILS,  
 DANN IST DIE ANGEGEBENE MENGE FUER 1 KOMPLETTEIL ODER 1 UNTERGRUPPE,  
 FUER TEILE WIE SCHEIBEN, FEDERRINGE USW., BEDEUTET "X" IN DER MENGENSPALTE  
 "STUECKZAHL NACH BEDARF".

IST KEIN GEGEBENER SCHLUESSELBUCHSTABE ZUTREFFEND, DANN ERSCHEINT  
 EIN EINGEKLAMMERTER BUCHSTABE NEBEN DEM ZUTREFFENDEN TEIL.

NUR DIE FUSSNOTE (N) ZUTREFFEND FUER IHRE AUSFUHRUNG ERSCHEINT  
 UNTER DEM TEXT.

**EXAMPEL:**

KURBELWELLE, KULBEN UND PLEUESTANGEN - NEGATIV A  
 KASTEN ACHT 9999

1 - XXXXX 1 KURBELWELLE KOMPL.

1 1 KURBELWELLE NACKT (G)

A - PASSEFERTIG

D - NICHT PASSEFERTIG

G - KOMPL. BESTELLEN

} HINWEIS: B - C - E - F  
 NICHT FUER DIESE  
 AUSFUHR. BENOETIGT.

**(iii) NOTE AGGIUNTIVE**

UN INDICE NUMERICO DI PARTICOLARI SI TROVA ALLA PARTE POSTERIORE DI QUESTO CAT.  
 LA QUANTITA INDICATA NELLA COLONNA 'F' CORRISPONDE ALLA QUANTITA'  
 RICHIESTA PER LA PARTICOLARE APPLICAZIONE ILLUSTRATA. QUALORA LA PARTE SIA  
 COMPONENTE DI UN GRUPPO, LA QUANTITA' INDICATA SI RIFERISCE ALLA  
 QUANTITA' CONTENUTA NEL GRUPPO.

PER PARTICOLARI COME SPESSORI, RONDELLE, ECC. UNA "X" NELLA COLONNA  
 DELLA QUANTITA' STA AD INDICARE "QUANTITA' RICHIESTA".

1006-6T ENGINE

0-1 GENERAL INFORMATION

Ref	Part Number	Qty	Description

SE NON E' DISPONIBILE UN SIMBOLO APPROPRIATO, SARA' INSERITA UNA NOTA LETTERALE FRA PARENTESI VICINO ALLE PARTI RELATIVE. SOLO LE NOTE USATE CON LE VOSTRE APPLICAZIONI SARANNO MOSTRATE IN FONDO ALLA PAGINA DI TESTO.

ESEMPIO:

ALBERO MOTORE, PISTONI E BIELLE - TAVOLA A  
GRUPPO ACHT 9999  
1 - XXXXX            1 GRUPPO ALBERO MOTORE  
2 -                    1 ALBERO MOTORE (G)

A - FINITE	} LE NOTE B - C - E - F NON SONO RICHIESTE IN QUESTA APPLICAZIONE
D - SEMILAVORATE	
G - ORDINARE IL COMPLESSIVO	

(iii) NOTAS ESPECIALES:-

UN INDICE NUMERICO DE LOS NOS. DE PIEZA SE ENCUENTRA AL FIN DE ESTE CATALOGO LA CANTIDAD INDICADA EN LA COLUMNA 'F' ES LA CANTIDAD NECESARIA PARA LA APLICACION ESPECIAL ILUSTRADA CUANDO ESTAS PIEZAS SE INCLUYEN EN UN CONJUNTO ESTO SIGNIFICA LA CANTIDAD EN UN SOLO CONJUNTO O SUB-CONJUNTO.

PARA LAS PIEZAS TALES COMO ESPACIADORES, ARANDELAS ETC. UNA "X" EN LA COLUMNA DE CANTIDADES SIGNIFICA "CANTIDAD SEGUN NECESARIO".

SI UN SIMBOLO ADECUADO NO ESTA DISPONIBLE UNA NOTA CON UNA LETRA ALFA ENTRE PARENTESIS SERA INSERTADO AL PIE DEL TEXTO AL LADO DE LAS PIEZAS

CORRESPONDIENTES. SOLO LA (S) NOTA (S) QUE CORRESPONDE (N) A SU APLICACION SE INDICARA (N) AL PIE DE LA PAGINA DEL TEXTO

EJEMPLO:

CIGUENAL, PISTONES Y BIELAS PLACA A  
JUEGO ACHT 9999  
1 - XXXXX            1 JUEGO DE CIGUENAL  
2                      1 CIGUENAL (G)


A - USINADO	} NOTAS B - C - E - F NO SE NECESITAN PARA ESTA APLICACION
D - NO USINADO	
G - PEDIR EL CONJUNTO	


1006-6T ENGINE


0-J GENERAL INFORMATION


Ref	Part Number	Qty	Description

**SYMBOLS AND NOTES  
 SYMBOLES ET NOTES  
 SYMBOLE UND BEMERKUNGEN  
 SIMBOLI E NOTE  
 SIMBOLOS Y NOTAS**

 **FROM ENGINE NUMBER**  
 A PARTIR DU NUMERO DE SERIE OU NUMERO DE  
 MOTEUR  
 AB SERIEN - ODER MOTOR - NUMMER  
 DALLA MATR. O NUMERO DI MOTORE  
 A PARTIR DEL NUMERO DE SERIE O NUMERO DE  
 MOTOR


 **UP TO ENGINE NUMBER**  
 JUSQU'AU NUMERO DE SERIE OU NUMERO DE MOTEUR  
 BIS SERIEN - ODER MOTOR - NUMMER  
 FINO ALLA MATR. O NUMERO DI MOTORE  
 HASTA NUMERO DE SERIE O NUMERO DE MOTOR


 **REPAIRS AND REPLACES**  
 REMPLACE ET RECHANGE  
 ERSETZT  
 SOSTITUISCE  
 REEMPLAZA Y SUSTITUYE


 **SEE APPROPRIATE SECTION - REFERENCE NUMBER**  
 VOIR PAGE - NUMERO DE REFERENCE  
 SIEHE SEITE - POSITIONSGNUMMER  
 VEDERE PAGINA - RIFERIMENTO NUMERO  
 VER PAGINA - NUMERO DE REFERENCIA

 **ALTERNATIVE**  
 ALTERNATIVE  
 WAHLWEISE  
 ALTERNATIVA  
 ALTERNATIVO

 **ORDER**  
 COMMANDER  
 BESTELLE  
 ORDINARE  
 PEDIR

 **GERMANY ONLY**  
 POUR ALLEMAGNE SEULEMENT OU EN ALLEMAND  
 NUR FUER DEUTSCHLAND ODER TEXT NUR IN  
 DEUTSCH  
 SOLO PER GERMANIA O TESTO SOLO IN TEDESCO  
 PARA ALEMANIA SOLAMENTE O EN ALEMAN  
 SOLAMENTE

 **FRANCE ONLY**  
 POUR FRANCE SEULEMENT OU EN FRANCAIS  
 NUR FUER FRANKREICH ODER TEXT NUR IN  
 FRANZOSISCH  
 SOLO PER FRANCIA O TESTO SOLO IN FRANCESE  
 PARA FRANCIA SOLAMENTE O EN FRANCES  
 SOLAMENTE


 **ITALY ONLY**  
 POUR ITALIE SEULEMENT OU EN ITALIEN  
 NUR FUER ITALIEN ODER TEXT NUR IN ITALIENISCH  
 SOLO PER ITALIA O TESTO SOLO IN ITALIANO  
 PARA ITALIA SOLAMENTE O EN ITALIANO SOLAMENTE

1006-6T ENGINE


0-K SYMBOLS AND NOTES

Ref	Part Number	Qty	Description

SYMBOLS AND NOTES  
 SYMBOLES ET NOTES  
 SYMBOLE UND BEMERKUNGEN  
 SIMBOLI E NOTE  
 SIMBOLOS Y NOTAS

 U.K. ONLY  
 POUR ROYAUME UNI SEULEMENT OU EN ANGLAIS  
 NUR FUER ENGLAND ODER TEXT NUR IN ENGLISCH  
 SOLU PER U.K. O TESTO SOLO IN INGLESE  
 PARA INGLATERRA SOLAMENTE O EN INGLÉS SOLAMENTE

 THICKNESS  
 EPAISSEUR  
 STAERKE  
 SPESSORE  
 ESPESAR

 WITHOUT OR NOT  
 SANS OU PAS POUR  
 DI NE ODER NICHT FUER  
 SENZA O NON PER  
 SON O NO PARA


FOR EXAMPLE  
 EXAMPLE:  
 BEISPIEL:  
 ESEMPIO:  
 EJEMPLO:




NOT FOR GERMANY  
 PAS POUR ALLEMAGNE  
 NICHT FUER DEUTSCHLAND  
 NON PER GERMANIA  
 NO PARA ALEMANIA

 BOTTOM  
 FOND  
 BODEN  
 INFERIORE  
 FONDO

 TOP  
 COUVERCLE  
 OBEN  
 SUPERIORE  
 PARTE SUPERIOR

 LEFT HAND  
 GAUCHE  
 LINKS  
 MANO SINISTRA  
 IZQUIERDA

 RIGHT HAND  
 DROITE  
 RECHTS  
 MANO DESTRA  
 DERECHA

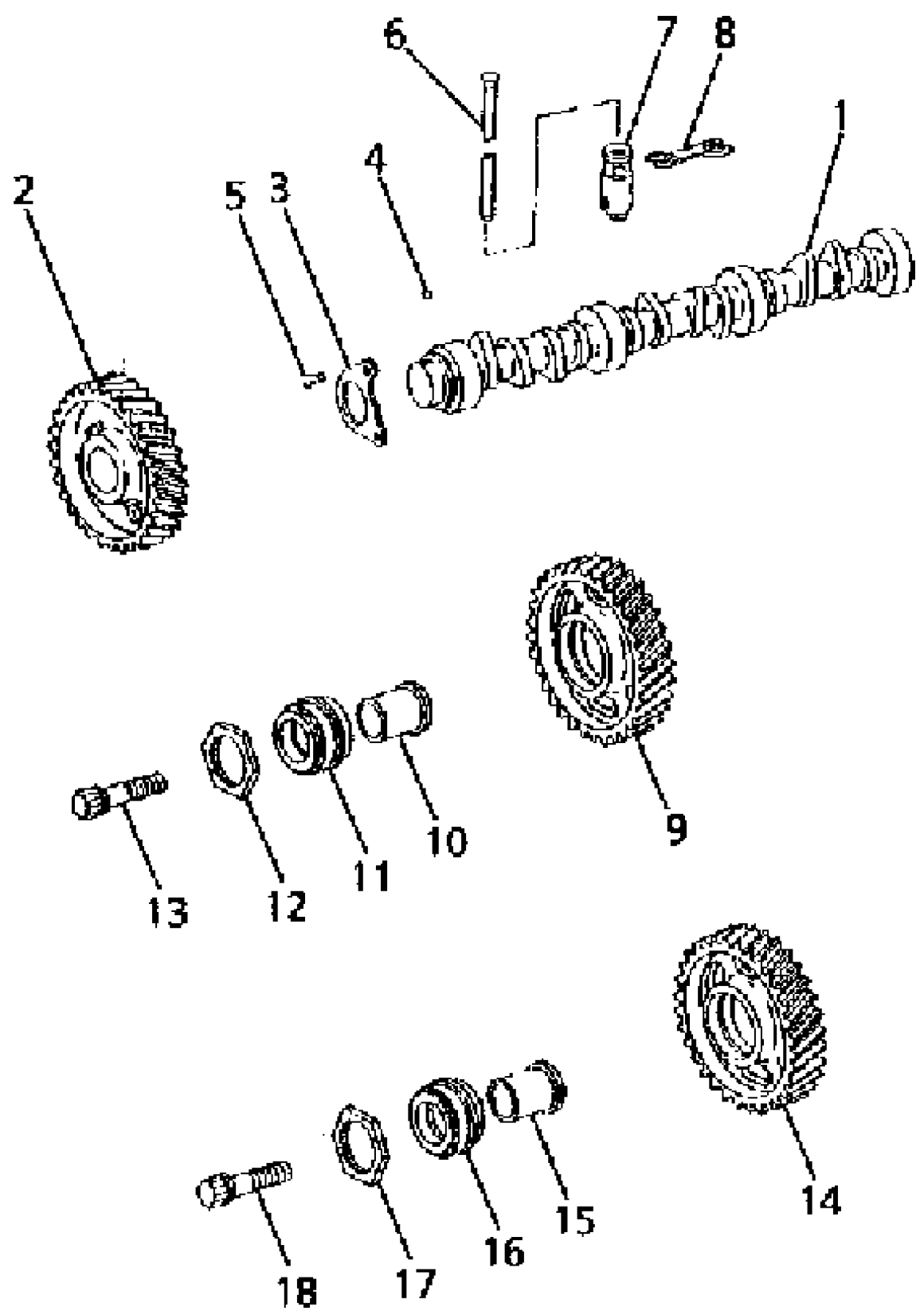
1006-6T ENGINE

0-L SYMBOLS AND NOTES

Ref	Part Number	Qty	Description



**W9138 ACHW - 001 - C**

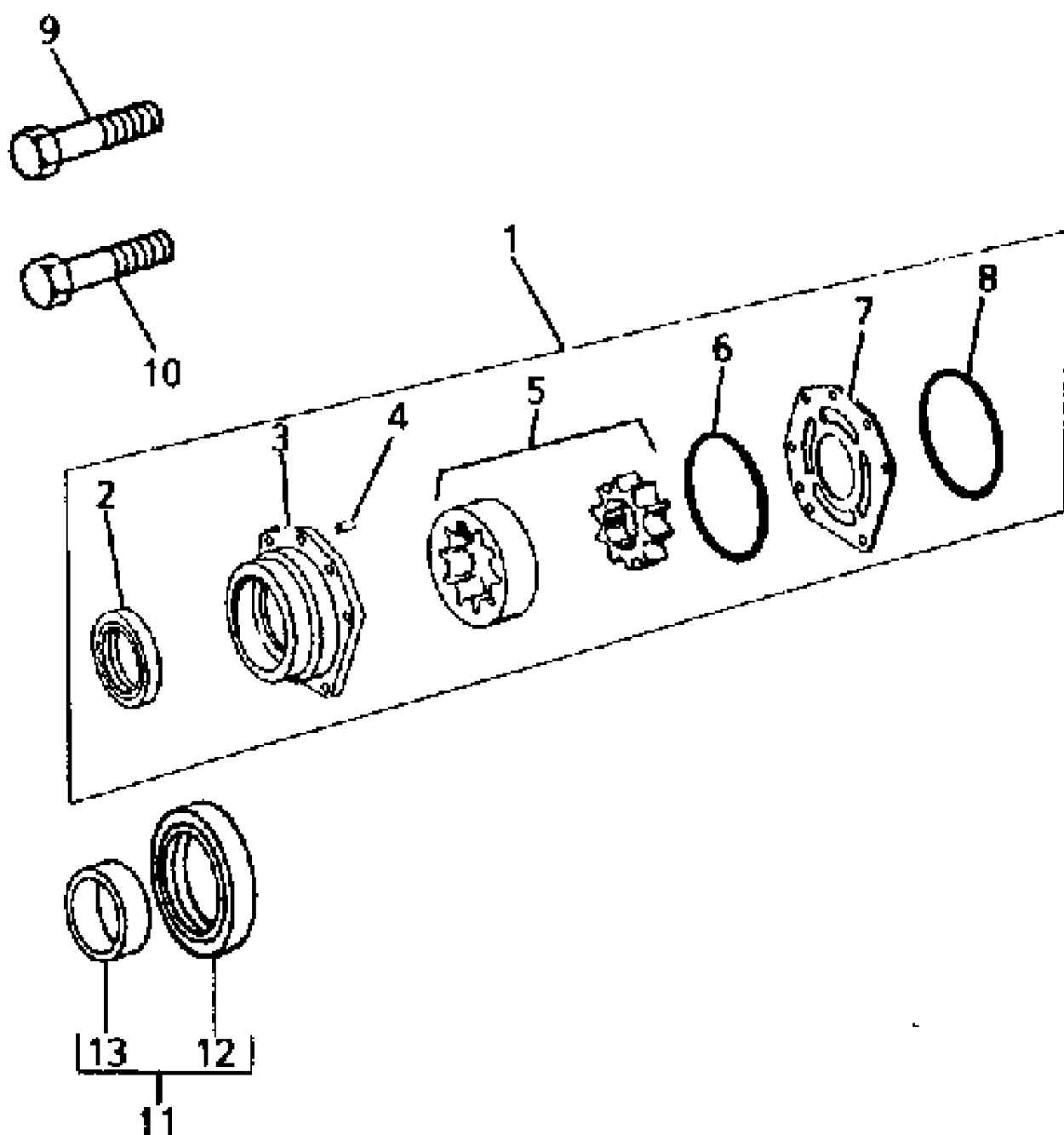


## 1006-6T ENGINE

## 10 TIMING GEAR AND CAMSHAFT

Ref	Part Number	Qty	Description
1	1820850C94	1	Camshaft, Repairs And Replaces 1820850C93
2	1820853C92	1	Gear, camshaft 1, Repairs And Replaces 1820853C91
3	1817545C1	1	Plate 1
4	218211	1	Woodruff key 1
5	1817956C1	2	Bolt metric
6		12	Pushrod, See Appropriate Section - Reference
7		12	Tappet, See Appropriate Section - Reference
8		6	Guide, See Appropriate Section - Reference
9	1820203C96	1	Idler gear, Repairs And Replaces 1820203C94, Includes: ref no. 11
10	1820277C1	1	Shaft
11		1	Bearing , Part of Idler Gear, P/N 1820203C96
12	1820278C1	1	Nut
13	1820287C1	1	Bolt metric
14	1820204C95	1	Idler gear, Repairs And Replaces 1820204C93
15	1820294C1	1	Shaft
16	1818614C91	1	Bearing assy
17	1820301C1	1	Nut
18	40055R1	1	Bolt metric

**W9152 | ACHW - 002 - B**

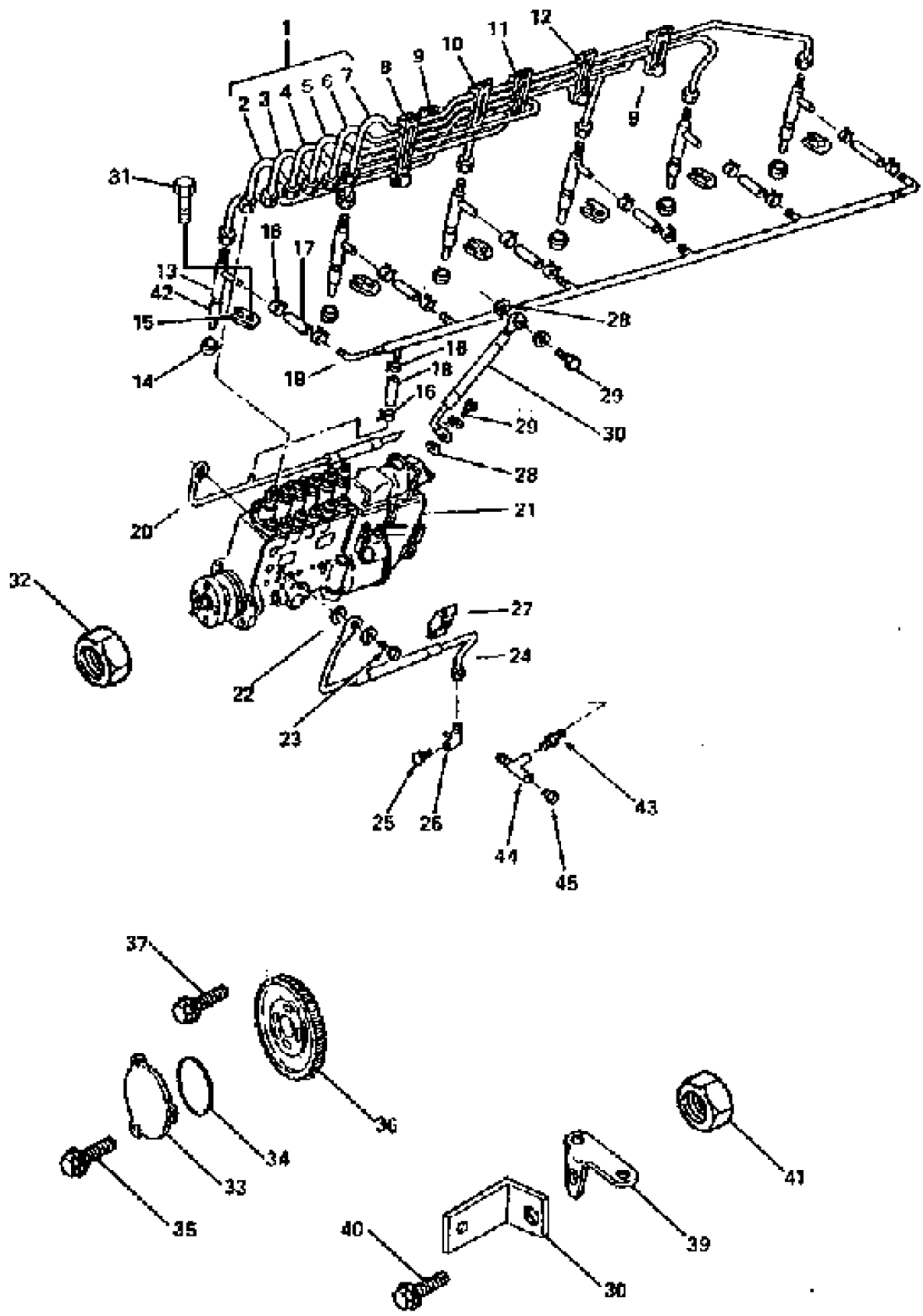


## 1006-6T ENGINE

## 11 LUBRICATING OIL PUMP AND DELIVERY HOUSING

Ref	Part Number	Qty	Description
1	1822390C91	1	Oil pump
2	1818772C1	1	Oil seal 1, See Appropriate Section - Ref.12
3		1	Oil pump housing 1, Order Ref.1
4	680482C1	2	Dowel 1
5		1	Rotor 1, Order Ref.1
6	1817862C1	1	Seal 1
7	1817847C1	1	Plate 1
8	1817862C1	1	Seal 1
9	1817859C1	4	Bolt metric
10	1817957C1	2	Bolt metric
11	690437C94	1	Seal
12	1818772C1	1	Oil seal 11
13		1	Sleeve 11, Order Ref.11

**W9171 AFHW - 003 - F**

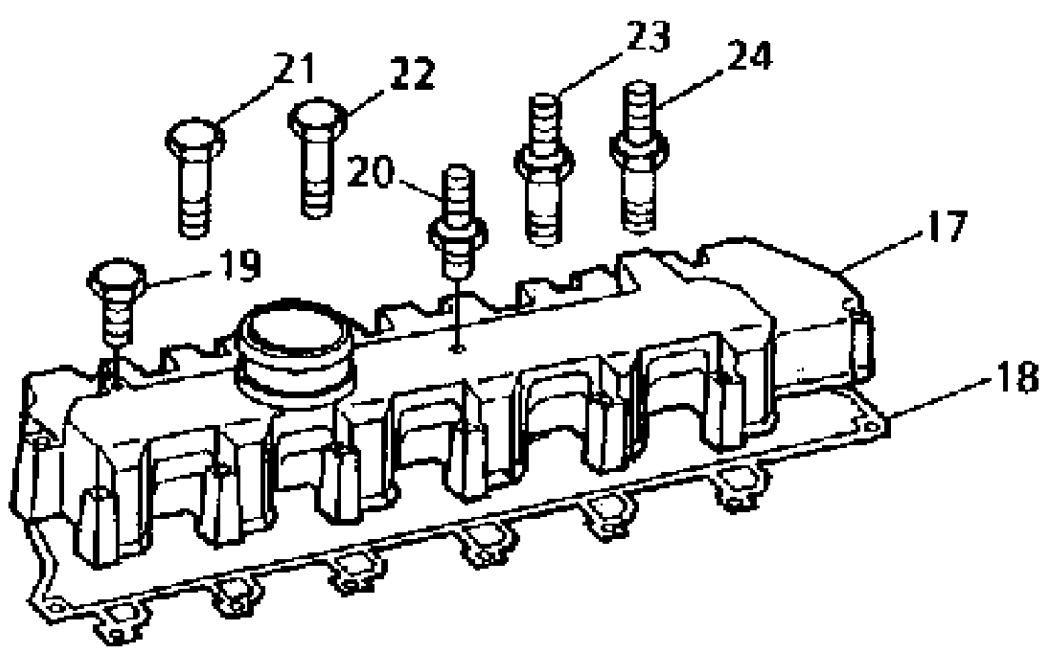
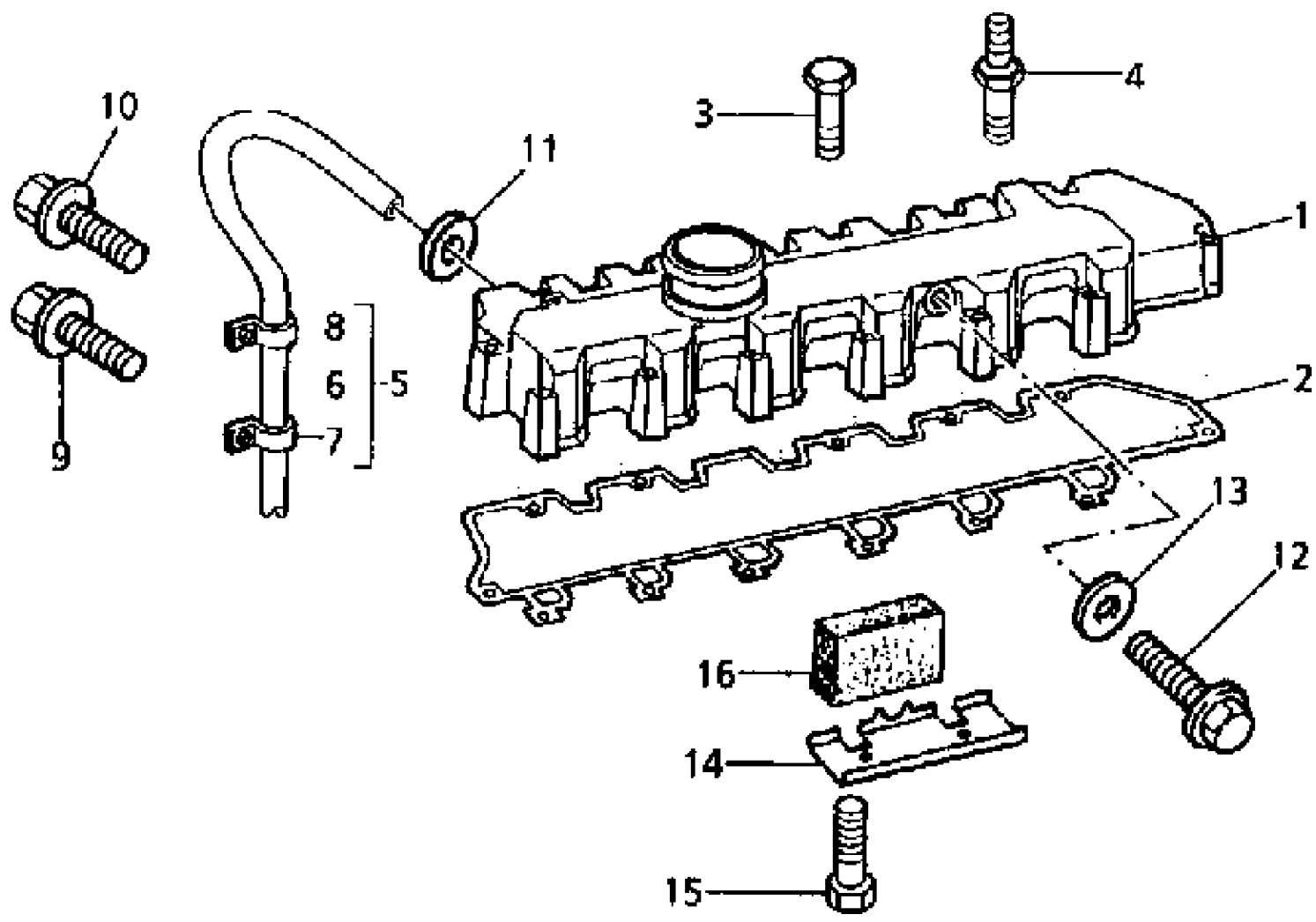


## 1006-6T ENGINE

## 12 FUEL INJECTION EQUIPMENT, DIESEL

Ref	Part Number	Qty	Description
33	1817888C1	1	Cover
34	1819250C2	1	Seal
35	1822430C1	3	Bolt metric
36	1820854C93	1	Gear pump Repairs And Replaces 1820854C92
37	1817965C1	4	Bolt metric
38	1822060C1	1	Bracket
40	1817967C1	2	Bolt metric

**W9252 HBHW - 003 - B**



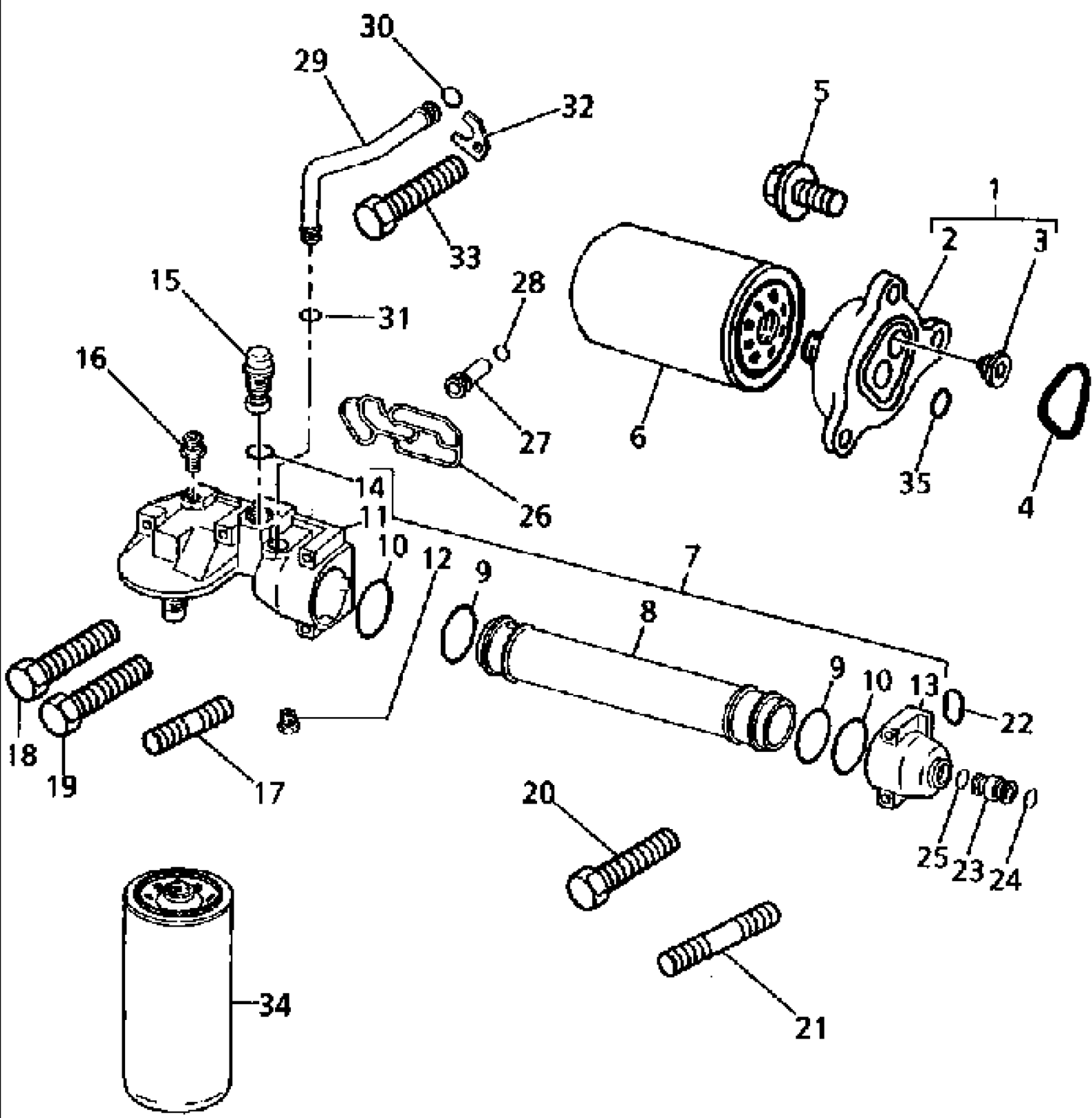
## 1006-6T ENGINE

## 13 LUBRICATING OIL FILLER AND BREATHER

Ref	Part Number	Qty	Description
5	1827214C1	1	Tube assy, Repairs And Replaces 1822174C3
6		1	Tube 5, Order Ref.5
7		1	Clip 5, Order Ref.5
8		1	Clip 5, Order Ref.5
9	1818233C1	1	Bolt metric
10	1817967C1	1	Bolt metric
11	1822135C1	1	O ring
14		1	Baffle Repairs And Replaces 1822170C92
15		2	Bolt Repairs And Replaces 1817812C1
16		1	Element Repairs And Replaces 1822556C1



**W9273 JBHW - 002 - C**

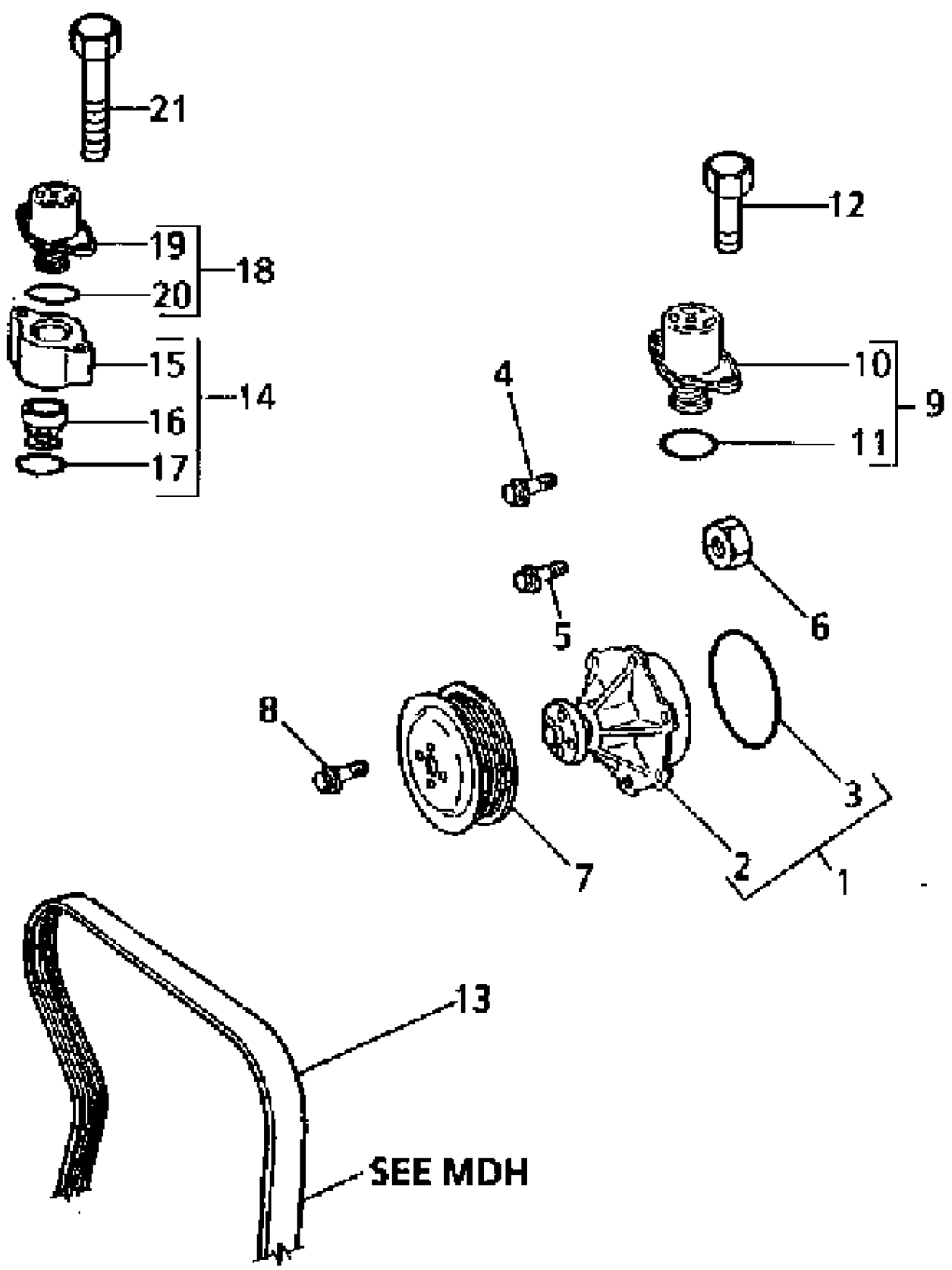


## 1006-6T ENGINE

## 14 LUBRICATING OIL FILTER AND INTEGRAL OIL COOLER

Ref	Part Number	Qty	Description
1		1	Filter head, See Appropriate Section - Reference
2		1	Filter head, 1, See Appropriate Section -
3		1	Valve check, 1, See Appropriate Section -
4		1	O ring, See Appropriate Section - Reference
5		3	Bolt metric, See Appropriate Section - Reference
6		1	Water filter, See Appropriate Section - Reference
7	1817980C91	1	Oil cooler
8	1815904C1	1	Oil cooler 7
9	1804414C1	2	O ring 7
10	1807563C1	2	O ring 7
11	1905439R91	1	Head 7
12	444618	1	Plug 7
13	1817855C1	1	Head 7
14	1818400C1	1	O ring 7
15	1819418C2	1	Valve
16	606819C1	1	Connection
17	1819931C1	1	Stud
18	1817958C1	1	Bolt metric
19	1817962C1	3	Bolt metric
20	1817962C1	1	Bolt metric
21	1819931C1	1	Stud
22	1830362C1	1	Seal Repairs And Replaces 1818401C2
23	1815302C1	1	Tube
24	1821098C1	1	O ring
25	1821098C1	1	O ring
26	1817849C2	1	Gasket Repairs And Replaces 1817849C1
27	1815239C3	1	Valve Repairs And Replaces 1815239C2
28	1820907C1	1	O ring
29	1817669C1	1	Tube
30	1821098C1	1	O ring
31	1821098C1	1	O ring
32	1817671C1	1	Bracket
33	1817812C1	1	Bolt metric
34	1819452C1	1	Oil filter

**W9322 LBHW - 002 - B**

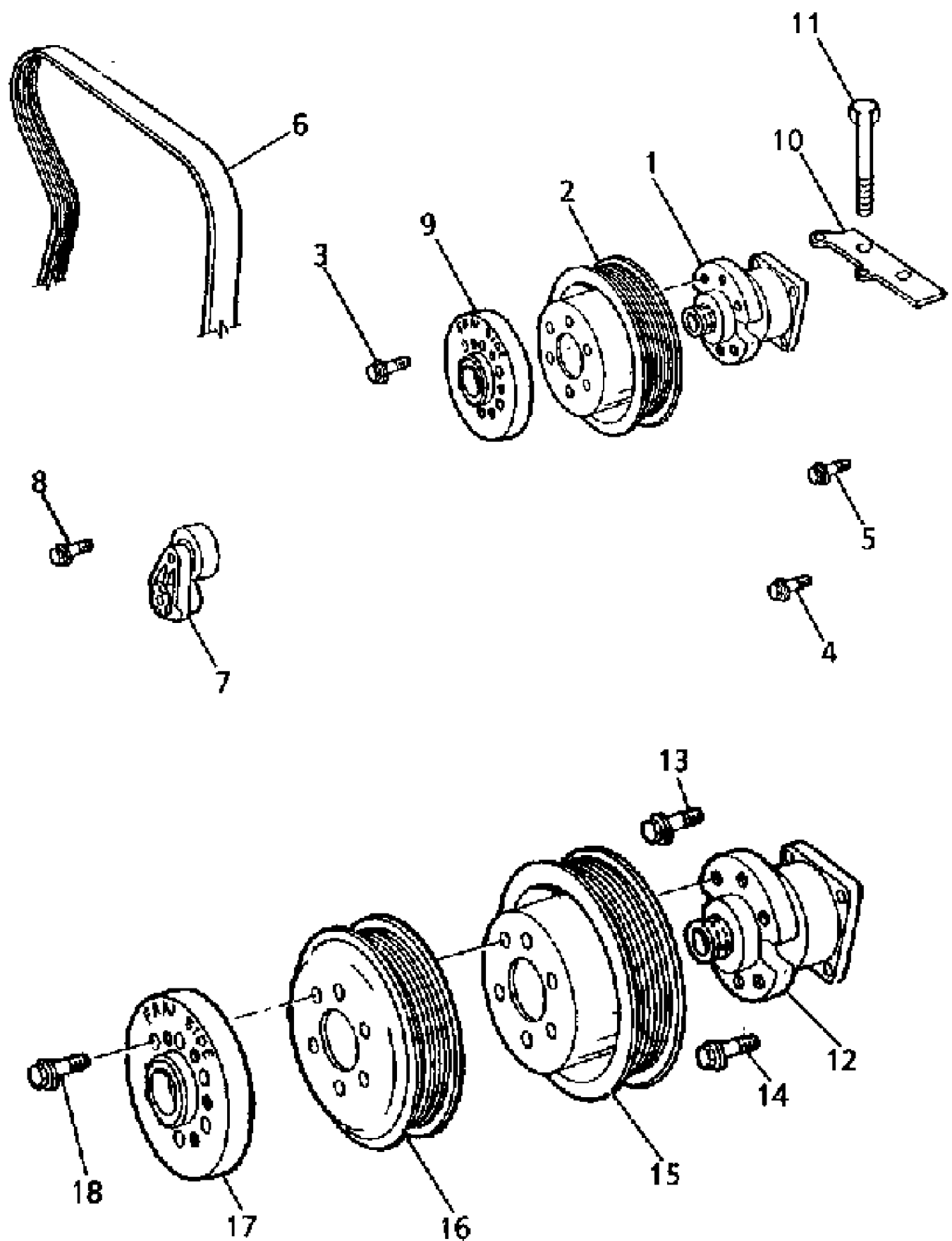


## 1006-6T ENGINE

## 16 WATER PUMP, THERMOSTAT AND HEAT EXCHANGER

Ref	Part Number	Qty	Description
9	1830256C91	1	Thermostat assy, Repairs And Replaces 1822575C92 Repairs And Replaces 1822575C91
10		1	Thermostat 9, Part of Thermostat Assembly, P/N 1830256C91
11	1820951C1	1	O ring 9
12	1817812C1	2	Bolt metric

**W9352 MDHW-003-C**

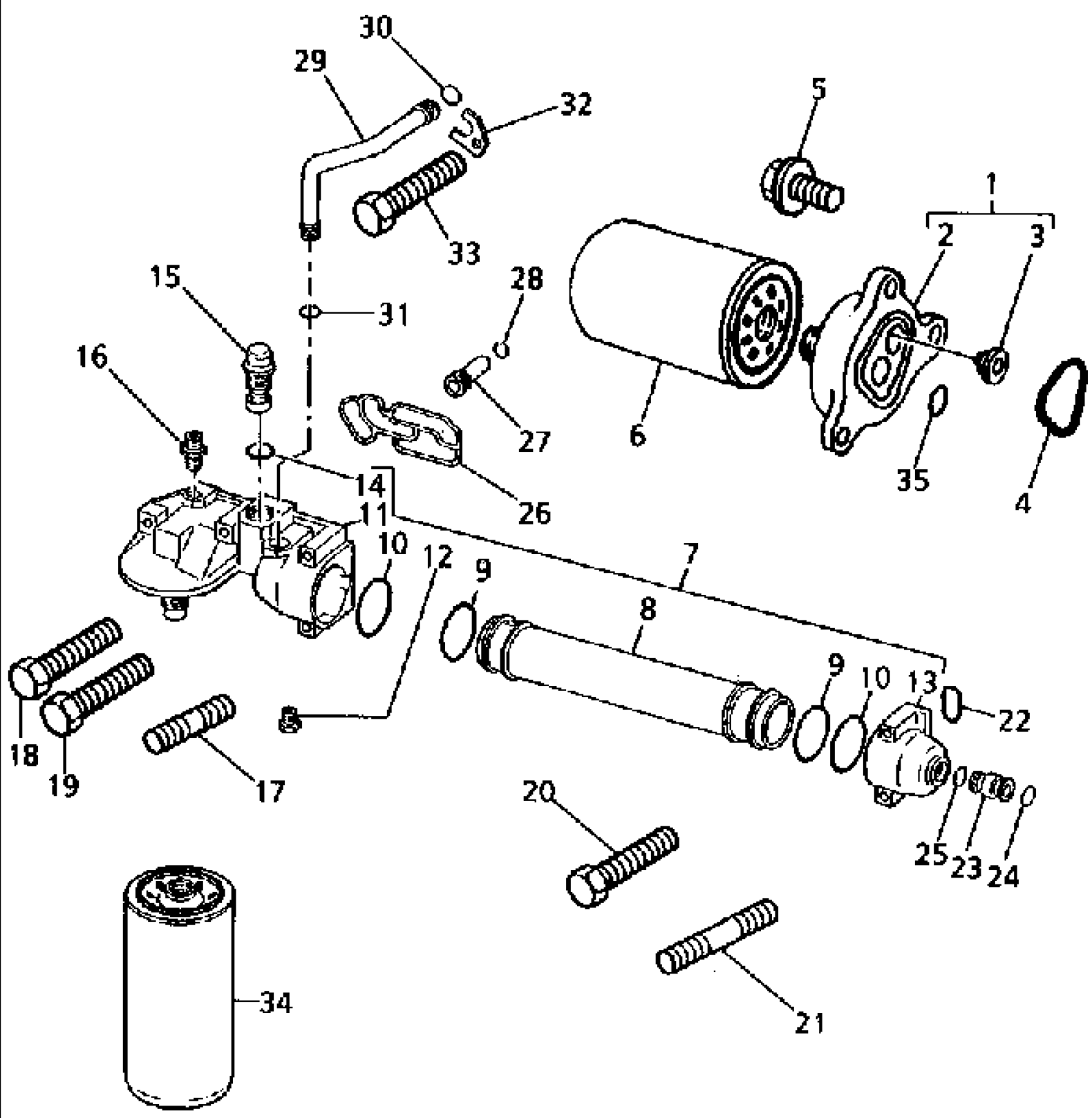


## 1006-6T ENGINE

## 17 FAN AND EXTENSION

Ref	Part Number	Qty	Description
1	1822050C91	1	Bracket assy.
2	1820308C1	1	Pulley, fan
3	1817978C1	6	Bolt metric
4	1817958C1	2	Bolt metric
5	1818230C1	2	Bolt metric
7	1830033C1	1	Tensioner, Repairs And Replaces 1814719C2
8	1817993C1	1	Bolt metric
9	1820823C1	1	Spacer

**W9273 JBHW - 002 - C**



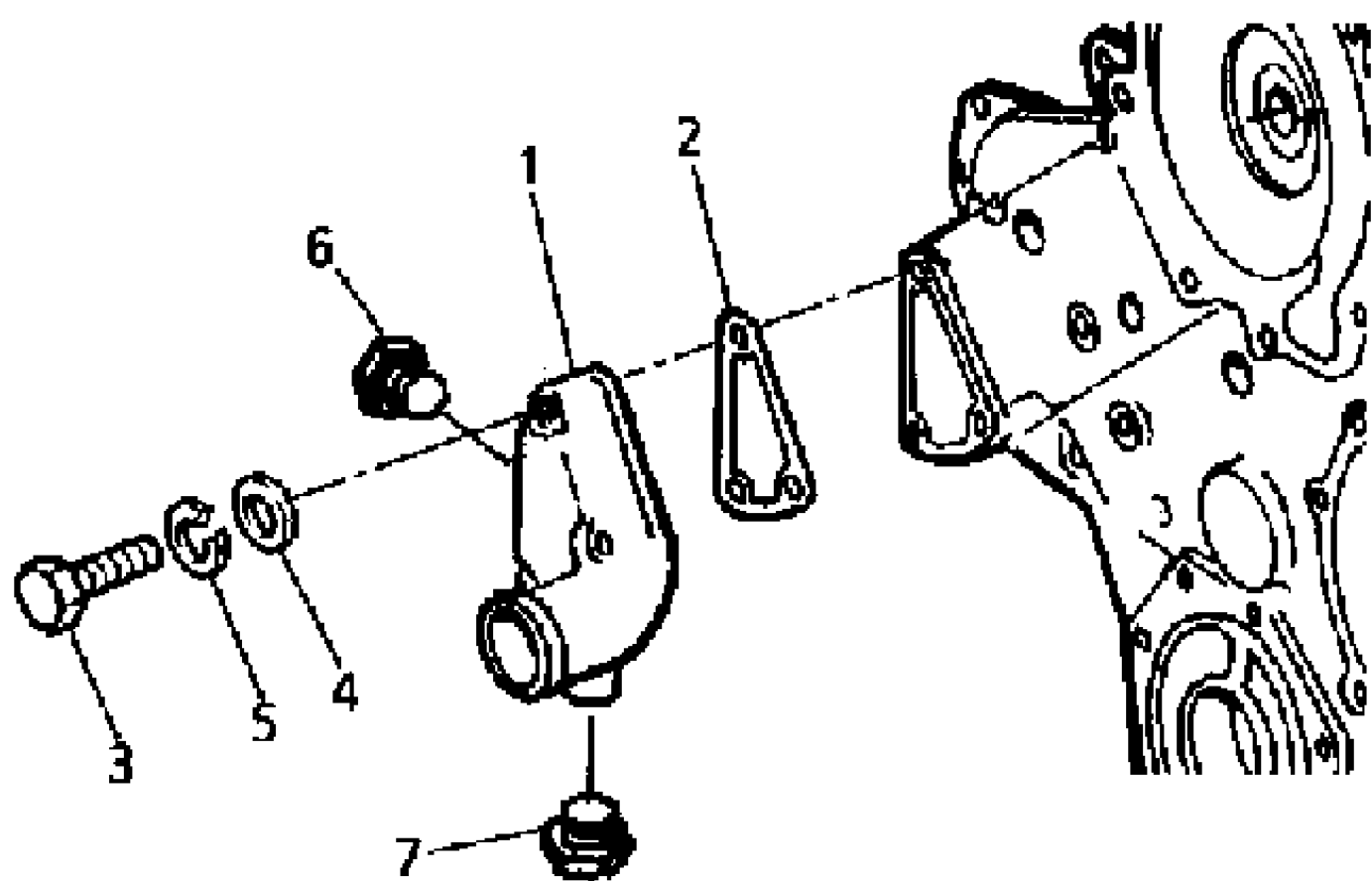
## 1006-6T ENGINE

## 18 LUBRICATING OIL FILTER AND INTEGRAL OIL COOLER

Ref	Part Number	Qty	Description
1	1820381C93	1	Filter head Repairs And Replaces 1820381C92
2		1	Head 1, Order Ref.1
3	1823253C1	2	Valve check 1, Repairs And Replaces 1820380C2
4	1820353C1	1	O ring
5	1817957C1	3	Bolt metric
6	26550001	1	Water filter



**W9340 LDHW -001- A**

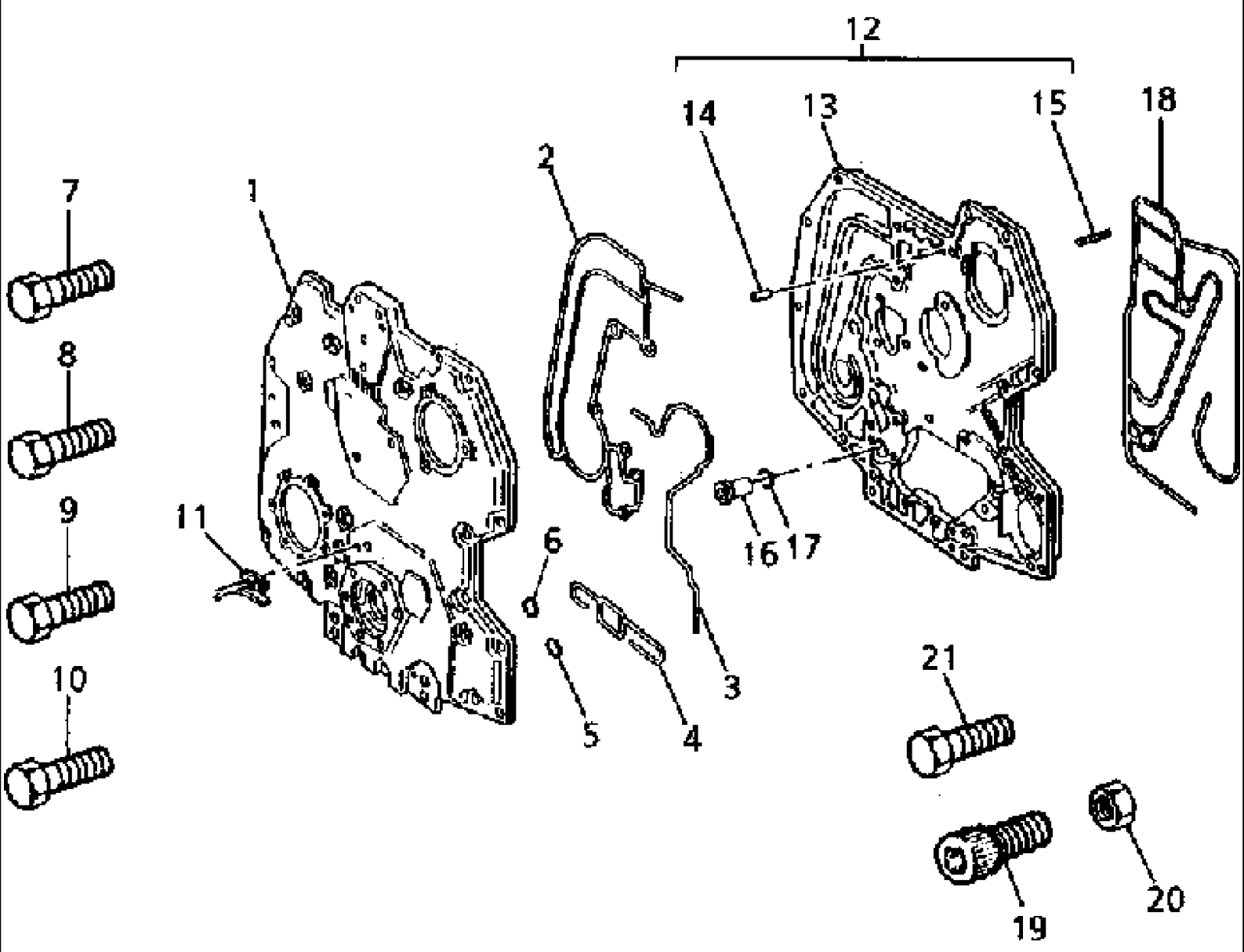


1006-6T ENGINE

19 WATER OUTLET AND INLET

Ref	Part Number	Qty	Description
1	2003467C1	1	Elbow
2	1817974C1	1	Gasket
3	1817958C1	3	Bolt metric
6	444636	1	Plug

**W9137 ACHW - 002 - B**

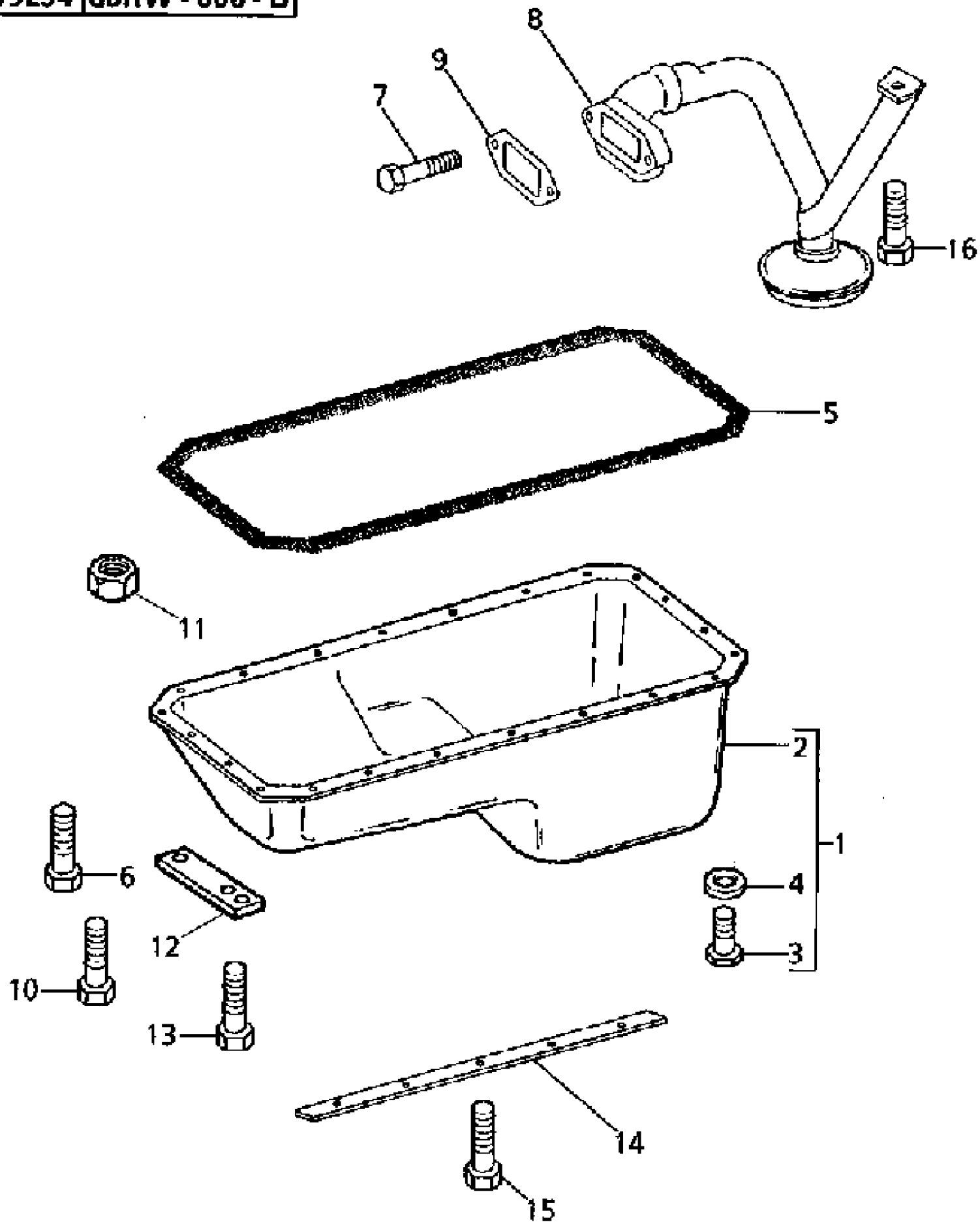


## 1006-6T ENGINE

## 20 TIMING GEAR AND CAMSHAFT

Ref	Part Number	Qty	Description
1	1817482C2	1	Timing cover
2	1818717C5	1	Gasket, Repairs And Replaces 1818717C4 Repairs And Replaces 1818717C3
3	1820438C1	1	O ring
4	1818716C4	1	Gasket, Repairs And Replaces 1818716C3
5	1820877C1	1	Oil seal
6	1820878C1	1	Oil seal
7	1817957C1	1	Bolt metric
8	1817958C1	8	Bolt metric
9	1817959C1	4	Bolt metric
10	1817960C1	6	Bolt metric
11	1820446C1	1	Pointer
12	1817611C93	1	Timing gear case
13		1	Cover 12, Order Ref.12
14	1820813C1	4	Dowel 12
15	1818601C1	4	Stud 12
16	1818419C3	1	Relief valve
17	1820907C1	1	O ring
18	1820416C4	1	Gasket, Repairs And Replaces 1820416C3
19	31045R1	1	Bolt metric
20	40050R1	8	Nut
21	1822121C1	9	Bolt metric

**W9234 GBHW - 006 - D**



(A) NO LONGER AVAILABLE, USE 1823278C91, 1822523C1 (2), 1816593C1, 1823275C1 (14), 1823281C1 (8) (B) WAS 1819018C93 USE 1823278C91, 1822523C1 (2), 1816593C1, 1823275C1 (14), 1823281C1 (8) (C) USED ONLY WITH 1819018C93 (D) USED ONLY WITH 1823278C91, 1823278C92 (E) WAS 1823278C91 USE 1823312C91 (1), 1823967C1 (22) (F) USED ONLY WITH 1823312C91 (G) WAS 1823312C91 USE 1823278C92 (1), 1823281C1 (8), 1823275C1 (14) (H) USED ONLY WITH 1823278C91, 1823312C91, 1823278C92 (I) WAS 1820225C92 USE 1820225C93, 1829820C1 (K) USED ONLY WITH 1820225C92 (L) USED

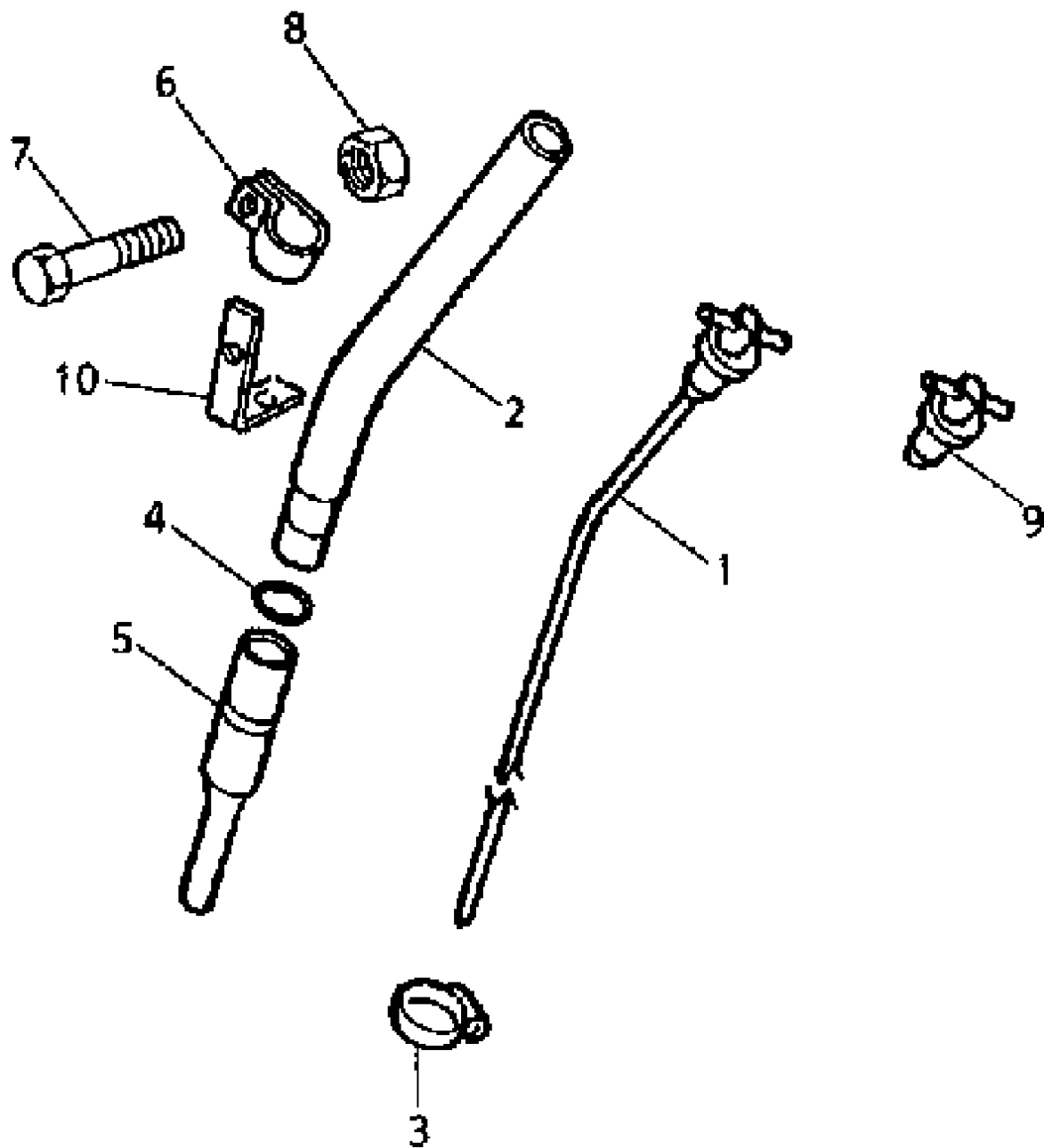
## 1006-6T ENGINE

## 21 LUBRICATING OIL SUMP

Ref	Part Number	Qty	Description
1	1819018C93	1	Sump, no longer available, use 1823278C91, 1822523C1 (2), 1816593C1, 1823275C1 (14), 1823281C1 (8)
1	1823278C92	1	Sump, was 1819018C93 use 1823278C91, 1822523C1 (2), 1816593C1, 1823275C1 (14), 1823281C1 (8), was 1823278C91 use 1823278C91, 1823278C92, was 1823312C91 use 1823278C92 (1), 1823281C1 (8), 1823275C1 (14)
2		1	Sump 1, Order Ref.1
3	1822053C1	1	Plug 1
4	1822054C1	1	Gasket 1, Repairs And Replaces 1822052C1
5	1816593C1		UAR Compound, used only with 1819018C93
5	1826587C1	1	Joint, used onlt with 1823278C91, 1823312C91, 1823278C92
6	1817812C1	22	Bolt metric, used only with 1819018C93
6	1823275C1	14	Bolt metric, used only with 1823278C91, 1823278C92
6	1823967C1	22	Bolt metric, used only with 1823312C91
7	1823275C1	8	Bolt metric
8	1820225C93	1	Tube assy, was 1820225C92 use 1820225C93, 1829820C1
9	1816722C2	1	Gasket Repairs And Replaces 1816722C1
14	1822523C1	2	Bar, used only with 1823278C91, 1823278C92
15	1823281C1	8	Bolt metric, used only with 1823278C91, 1823278C92
16	1817812C1	1	Bolt metric, used only with 1820225C92
16	1829820C1	1	Bolt metric, used only with 1820225C93

(A) NO LONGER AVAILABLE, USE 1823278C91,1822523C1 (2), 1816593C1, 1823275C1 (14), 1823281C1 (8) (B) WAS 1819018C93 USE 1823278C91, 1822523C1 (2), 1816593C1, 1823275C1 (14), 1823281C1 (8) (C) USED ONLY WITH 1819018C93 (D) USED ONLY WITH 1823278C91, 1823278C92 (E) WAS 1823278C91 USE 1823312C91 (1), 1823967C1 (22) (F) USED ONLY WITH 1823312C91 (G) WAS 1823312C91 USE 1823278C92 (1), 1823281C1 (8), 1823275C1 (14) (H) USED ONLY WITH 1823278C91, 1823312C91, 1823278C92 (I) WAS 1820225C92 USE 1820225C93, 1829820C1 (K) USED ONLY WITH 1820225C92 (L) USED

**W9235 GBHW - 003 - E**



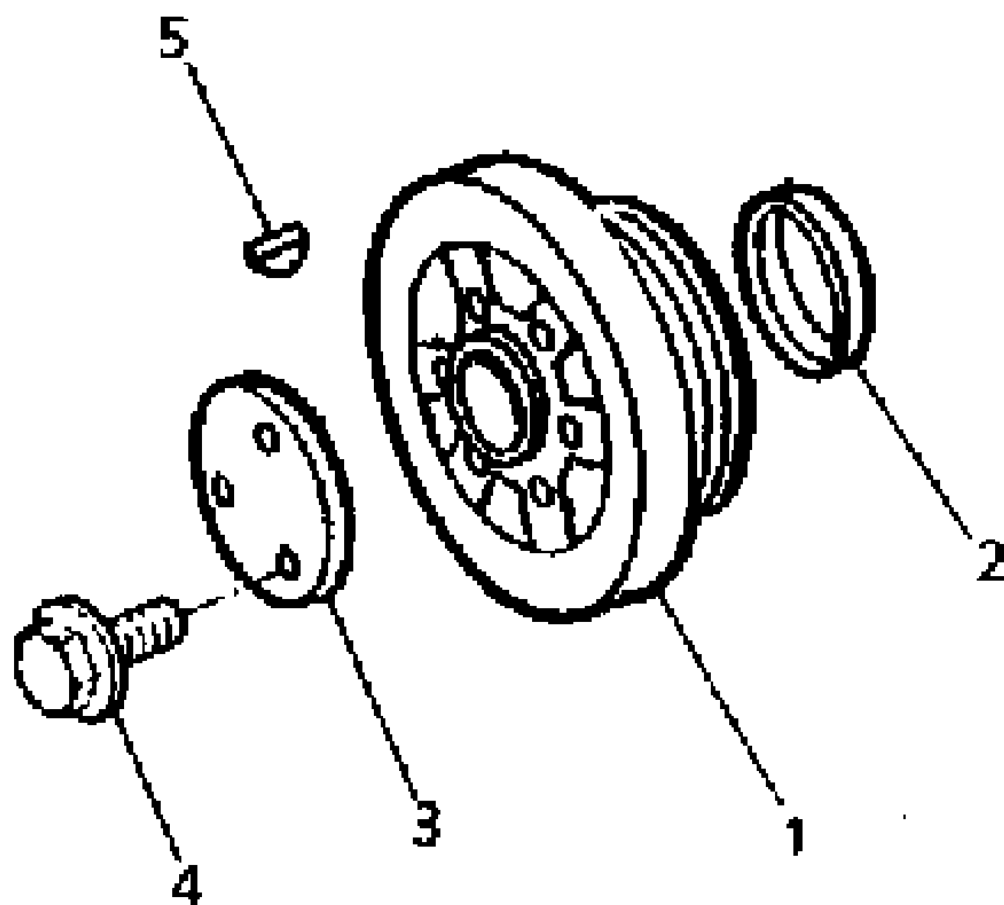
## 1006-6T ENGINE

## 23 LUBRICATING OIL SUMP

Ref	Part Number	Qty	Description
1	1820953C1	1	Dipstick
2	691848C1	1	Tube
3	690835C1	1	Clip
4	1812559C1	1	Seal
5	691846C1	1	Tube
6	27902R1	1	Clamp
7	1817956C1	1	Bolt metric
8	40050R1	2	Nut



**W9302 KBHW - 001 - B**



(A) FOR REPLACEMENT WEARSLEEVE (PART OF CRANK PULLEY ASSEMBLY) SEE OIL PUMP SECTION

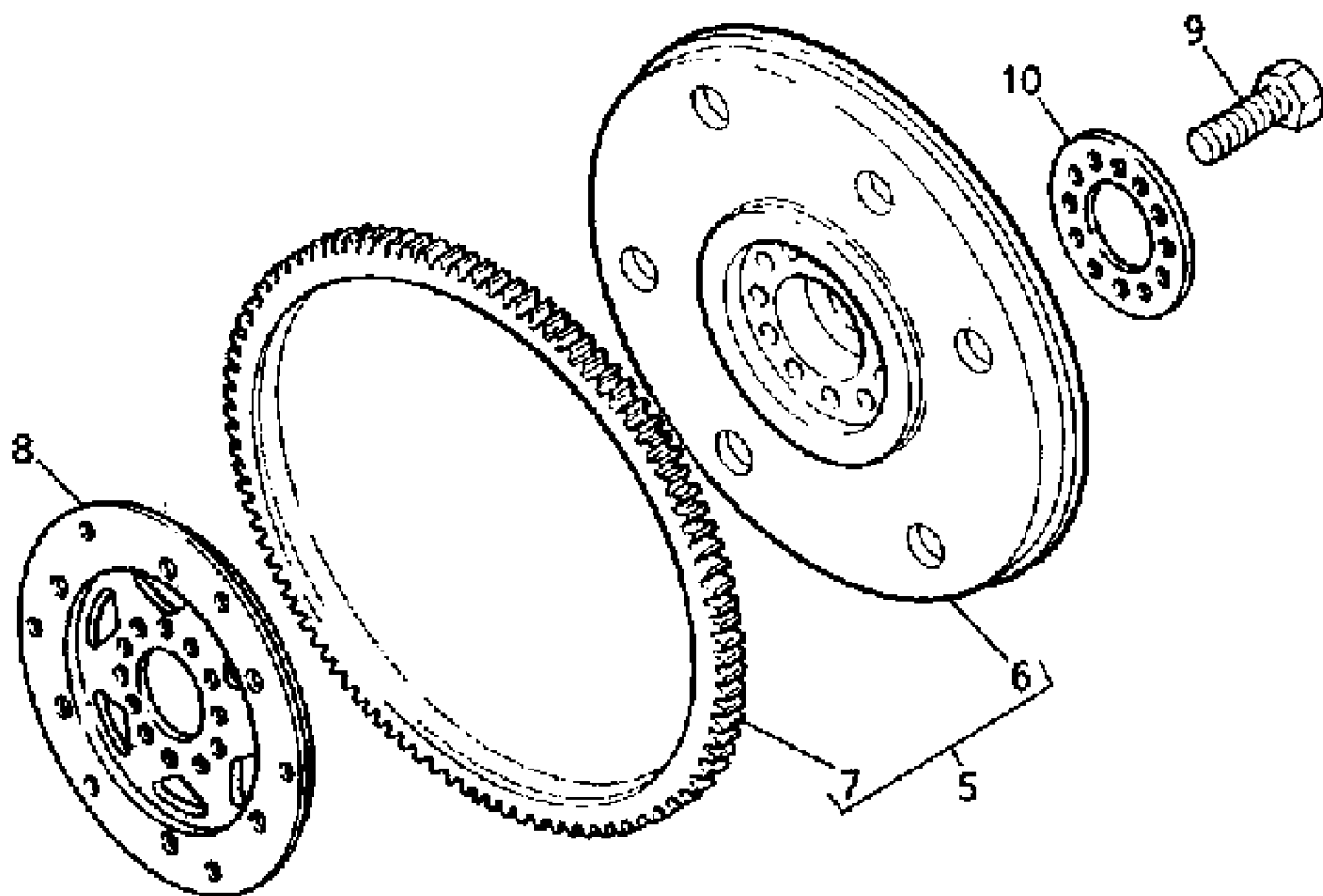
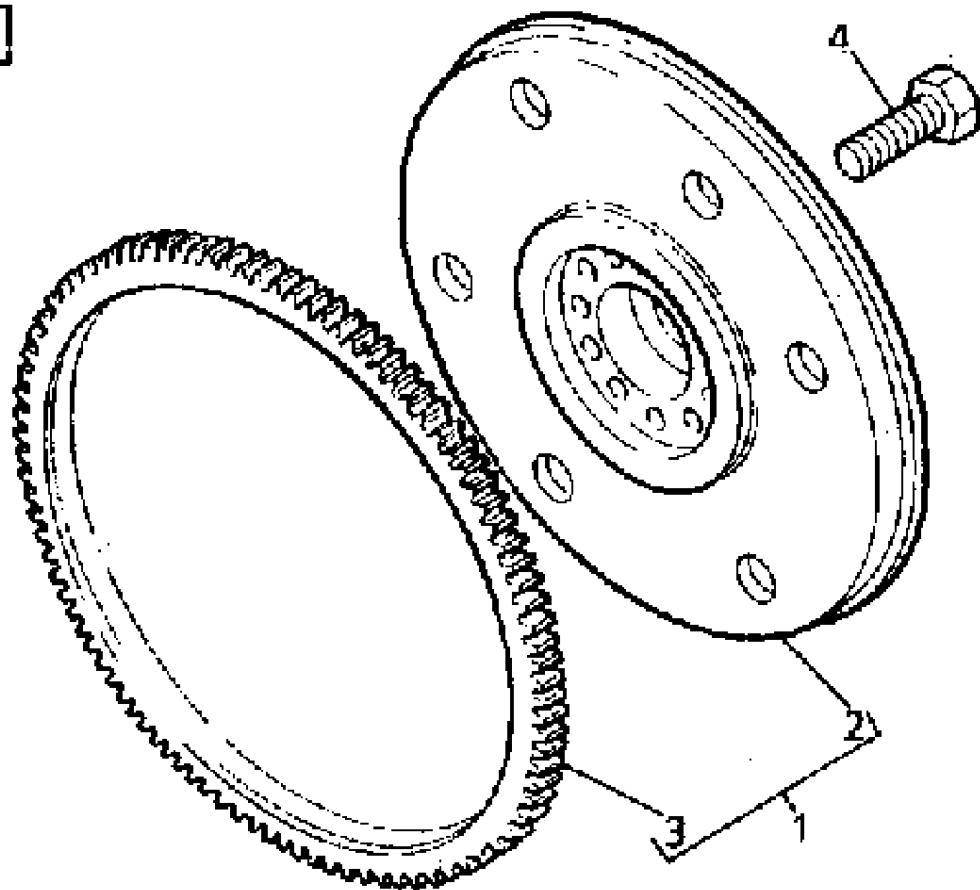
## 1006-6T ENGINE

## 24 FRONT END DRIVE INPUT

Ref	Part Number	Qty	Description
1	1820855C91	1	Damper, for replacement wearsleeve (part of crank pulley assembly) see oil pump section
2	687024C1	1	Washer
3	675412C1	1	Plate
4	1823929C1	3	Bolt metric Repairs And Replaces 1817846C1
5	691044C1	1	Woodruff key

(A) FOR REPLACEMENT WEARSLEEVE (PART OF CRANK PULLEY ASSEMBLY) SEE OIL PUMP SECTION

W9218 DDHW - 002 - C

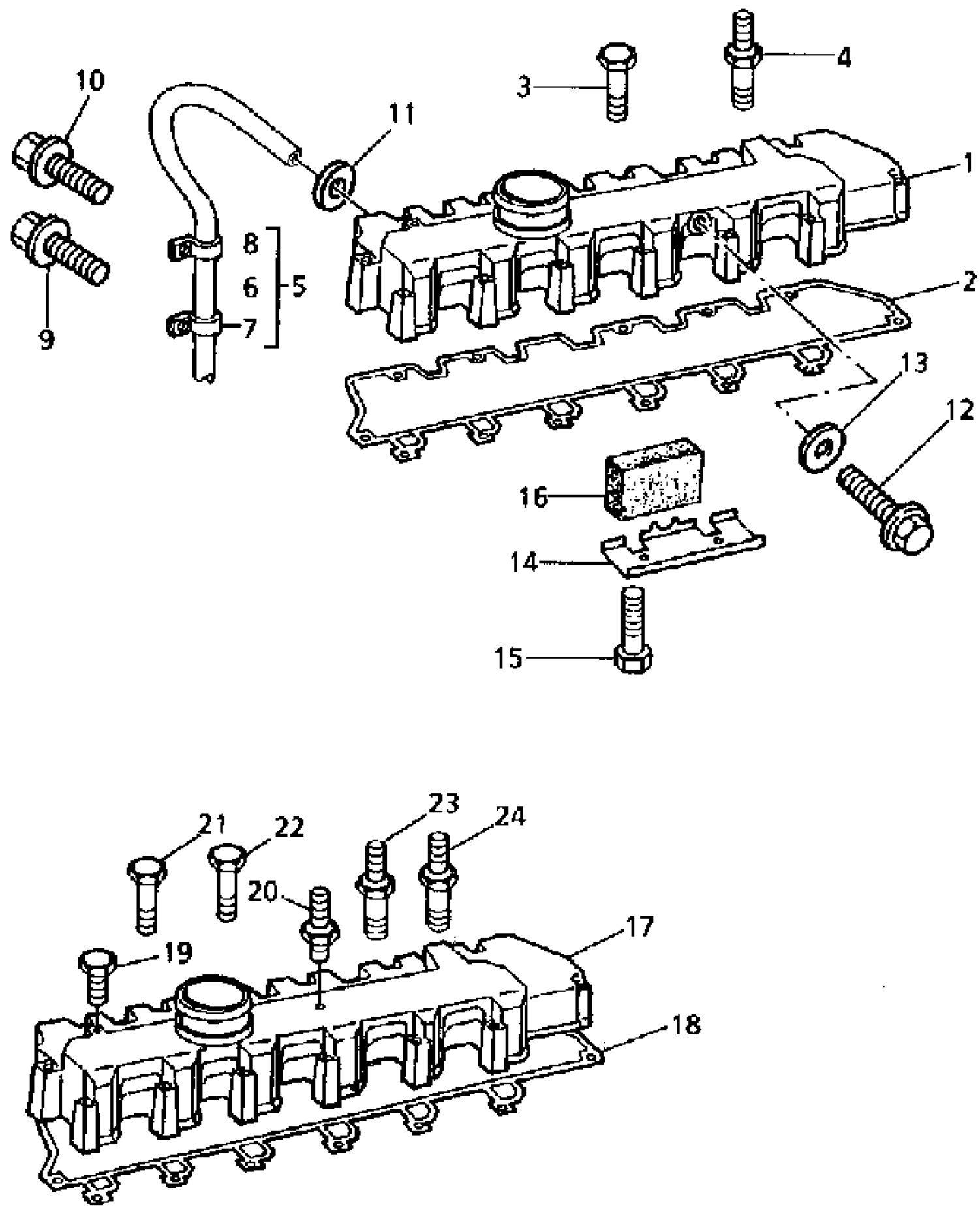


## 1006-6T ENGINE

## 25 FLYWHEEL AND STARTER RING

Ref	Part Number	Qty	Description
1	1822033C91	1	Flywheel assy.
2		1	Flywheel 1, Order Ref.1
3	1815440C1	1	Starter ring 1
4	1823991C1	12	Bolt metric Repairs And Replaces 1822004C1

**W9252 HBHW - 003 - B**

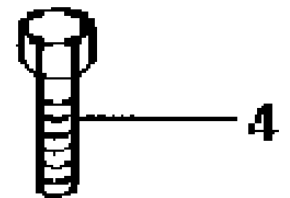
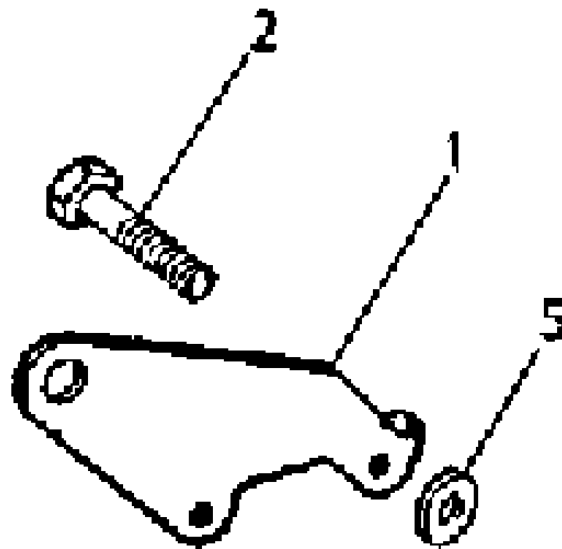


## 1006-6T ENGINE

## 26 LUBRICATING OIL FILLER AND BREATHER

Ref	Part Number	Qty	Description
1	1823998C91	1	Valve cover Repairs And Replaces 1821948C1
2	1817510C1	1	Gasket
3	1817961C1	11	Bolt metric
4	1819245C1	2	Stud

**W9531 XBHW - 003 - B**



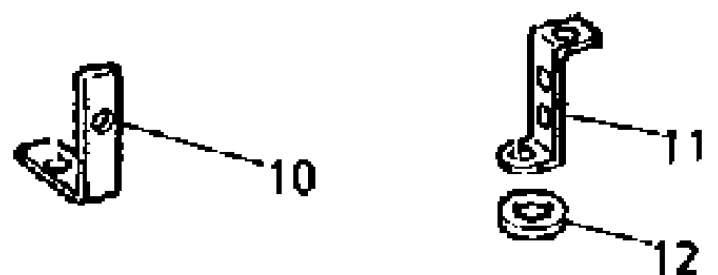
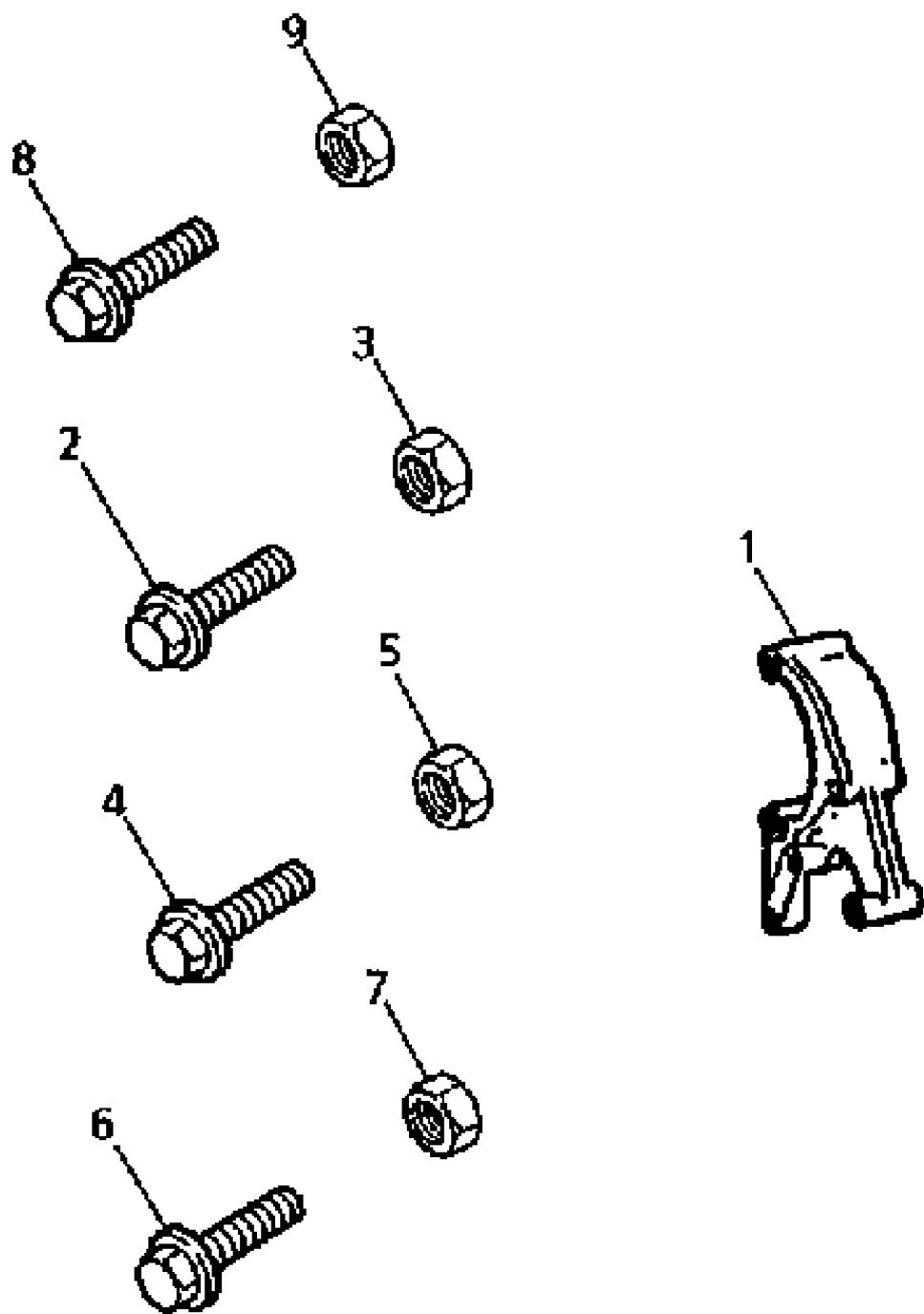
1006-6T ENGINE

27 ENGINE LIFTING

Ref	Part Number	Qty	Description
1	1817560C2	1	Bracket
2	1817967C1	2	Bolt metric
3	1820215C1	1	Bracket
4	1820235C1	2	Bolt metric
5	1814757C2	2	Washer



**W9357 NDHW - 001 - B**

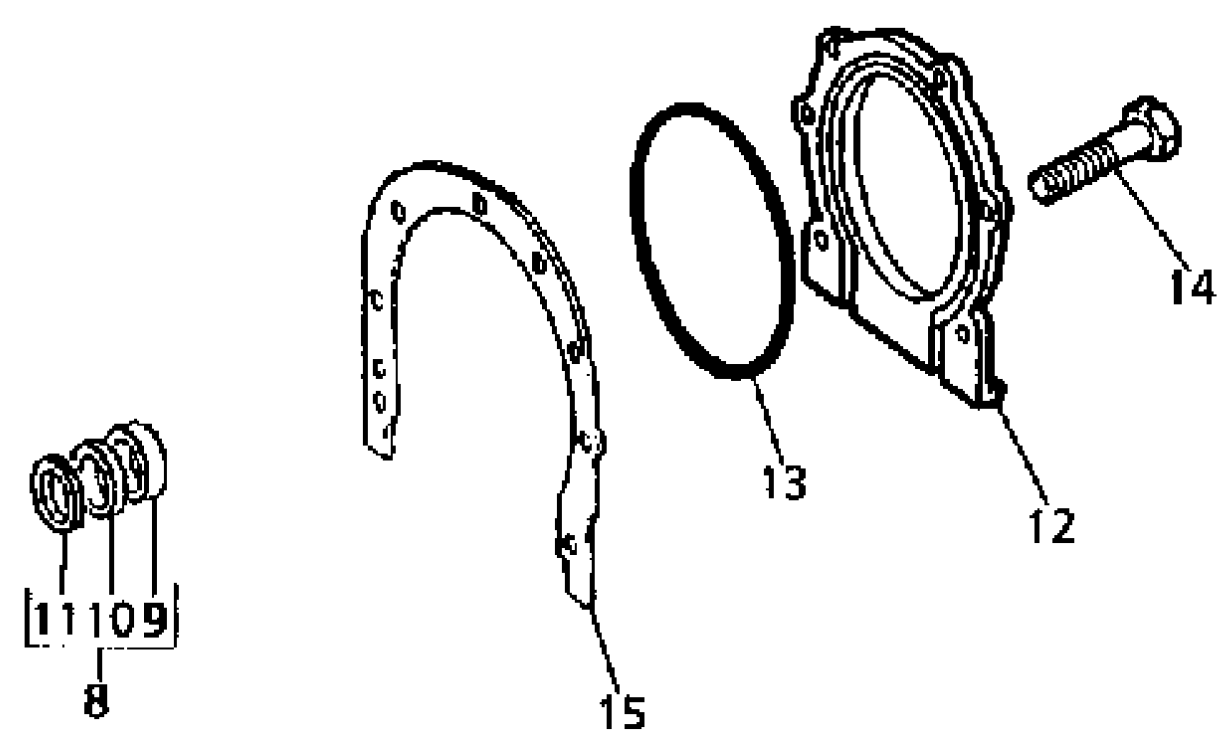
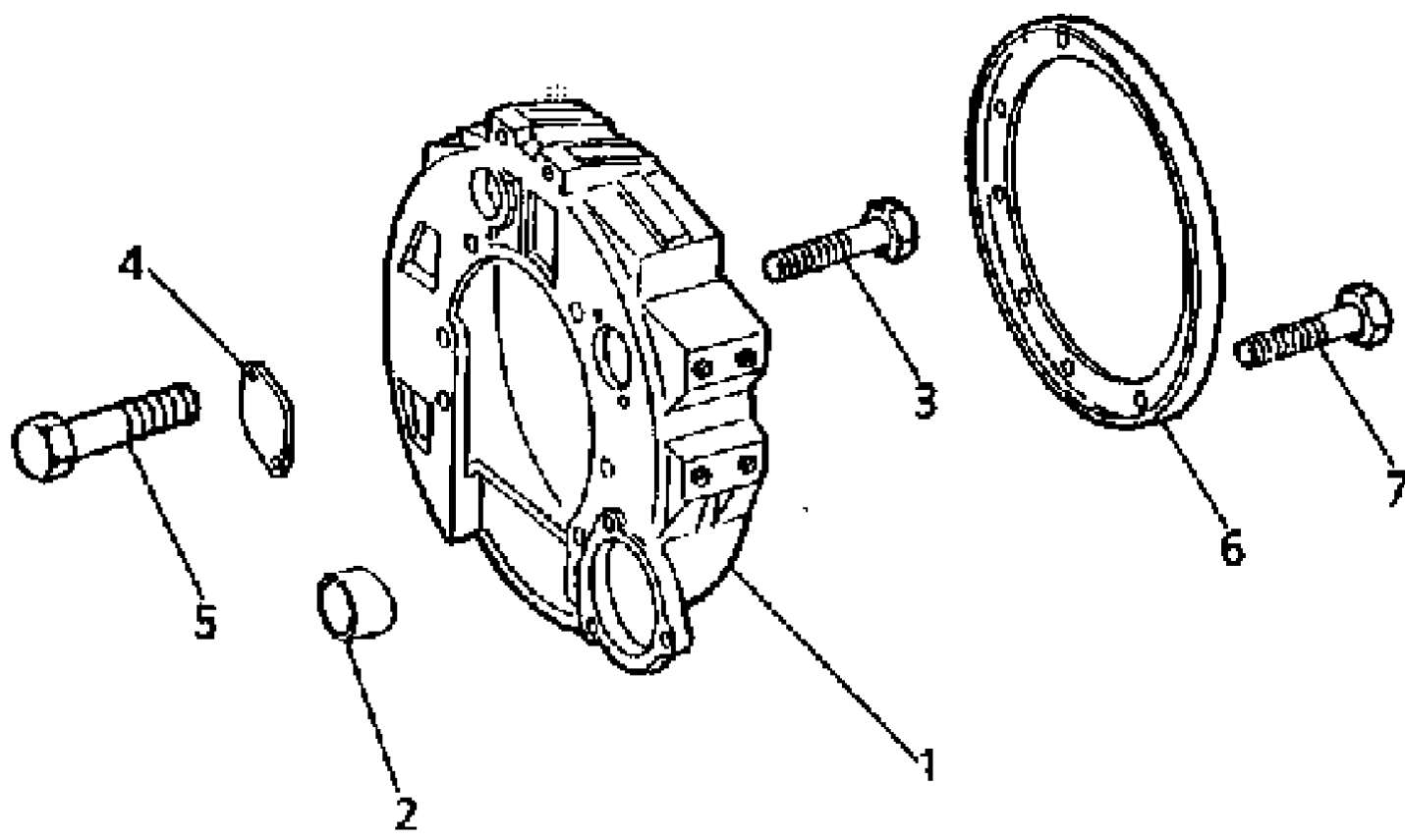


## 1006-6T ENGINE

## 28 ALTERNATOR AND GENERATOR

Ref	Part Number	Qty	Description
1	1822252C1	1	Bracket
2	1823809C1	1	Bolt Repairs And Replaces 1817962C1
3	40050R1	1	Nut
4	1820590C1	1	Bolt metric Repairs And Replaces 1818712C1
5	31083R1	1	Nut
6	1822018C1	2	Bolt metric Repairs And Replaces 1820916C1
7	31083R1	2	Nut

**W9207 CDHW - 003 - B**

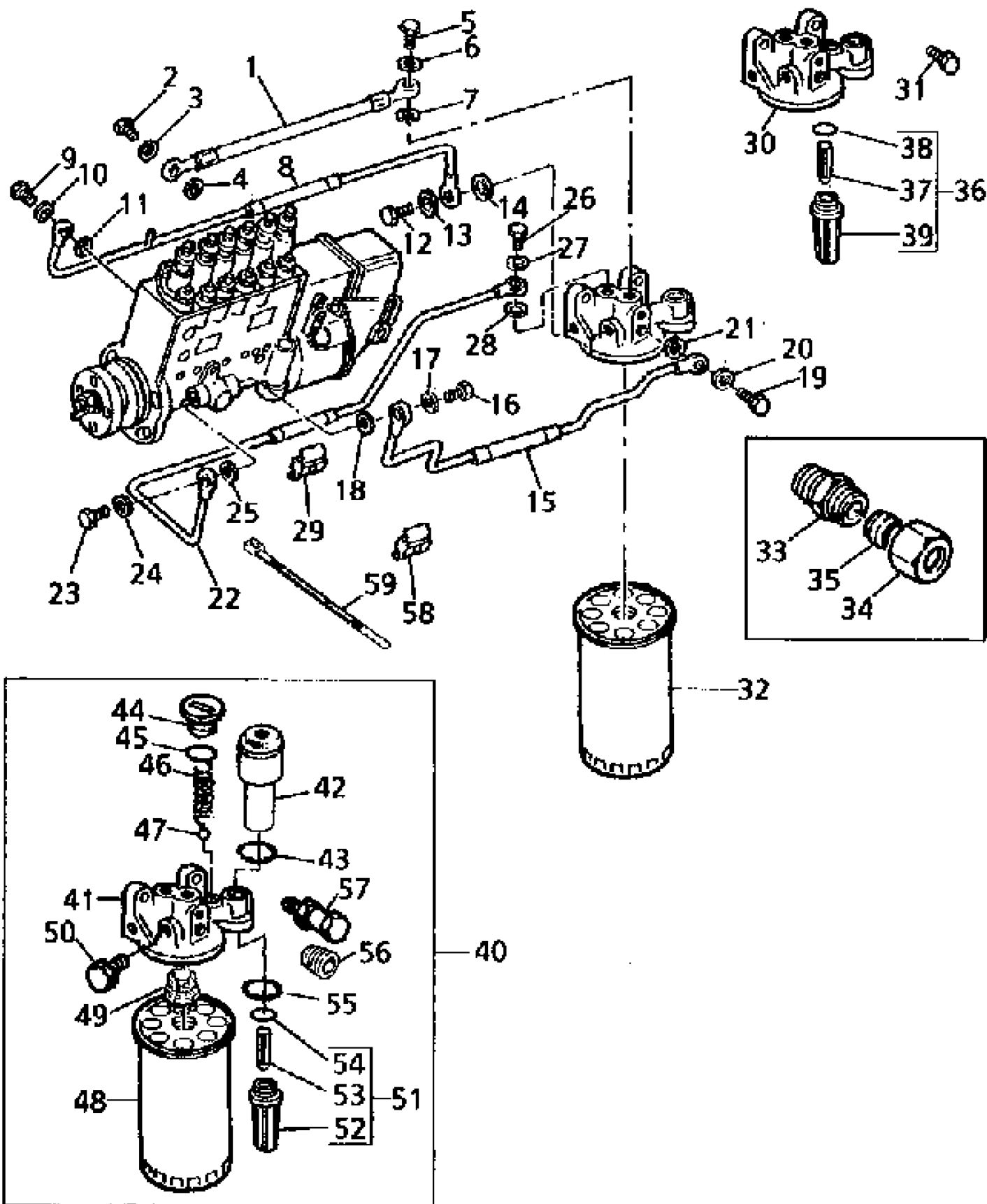


## 1006-6T ENGINE

## 29 FLYWHEEL HOUSING

Ref	Part Number	Qty	Description
1	1820338C1	1	Flywheel housing
2	1822086C1	2	Dowel
3	1820606C1	8	Bolt metric
4	686702C1	1	Plate
5	1817953C1	2	Bolt metric
8	1817867C92	1	Seal Repairs And Replaces 1817867C91
9		1	Seal 8, Part of Seal Repairs, P/N 1817867C92
10		1	Sleeve 8, Part of Seal Repairs, P/N 1817867C92
11		1	Spacer 8, Part of Seal Repairs, P/N 1817867C92
12	1815699C2	1	Housing
14	1817958C1	6	Bolt metric
15	1824911C1	1	Joint Repairs And Replaces 1819234C1

**W9502 VBHW - 005 - C**



(A) SUPPLIED WITH FUEL INJECTION PUMP (B) USED ONLY WITH 1824833C91, 1821989C93, 1821989C92, 1821989C91 (C) USED ONLY WITH 1824833C92 AND 1824833C93 (D) WAS 1824833C93, 1824833C92, 1824833C91, 1821989C93 (E) USED ONLY WITH 1821989C93, 1824833C91, 1824833C92 AND 1824833C93 (F) USED ONLY WITH 1824833C94

## 1006-6T ENGINE

## 30 LOW PRESSURE FUEL SYSTEM

Ref	Part Number	Qty	Description
1	1820326C1	1	Hose assy
2		1	Bolt, supplied with fuel injection pump
3		1	Washer, supplied with fuel injection pump
4		1	Washer, supplied with fuel injection pump
5	1810491C1	1	Screw
6	691273C1	1	Gasket
7	691273C1	1	Gasket
8	1820327C2	1	Fuel pipe
9		1	Bolt, supplied with fuel injection pump
10		1	Washer, supplied with fuel injection pump
11		1	Washer, supplied with fuel injection pump
12	1810491C1	1	Screw
13	691273C1	1	Gasket
14	691273C1	1	Gasket
15	1820324C2	1	Tube assy
16		1	Bolt, supplied with fuel injection pump
17		1	Washer, supplied with fuel injection pump
18		1	Washer, supplied with fuel injection pump
19	1810491C1	1	Screw
20	691273C1	1	Gasket
21	691273C1	1	Gasket
22	1820325C1	1	Tube
23		1	Bolt, supplied with fuel injection pump
24		1	Washer, supplied with fuel injection pump
25		1	Washer, supplied with fuel injection pump
26	1810491C1	1	Screw
27	691273C1	1	Gasket
28	691273C1	1	Gasket
29	1820330C1	2	Clip
30		1	Filter head, Order Ref.40 Repairs And Replaces 1821989C92
31	1817978C1	2	Bolt metric
32		1	Fuel filter Order Ref.48
36		1	Fuel filter Order Ref.51
37		1	Strainer 36, Order Ref.53
38		1	O ring 36, Order Ref.54
39		1	Cover 36, Order Ref.52
40	1824833C94	1	Filter head, was 1824833C93, 1824833C92, 1824833C91, 1821989C93
41		1	Filter head 40, Order Ref.40
42	1824946C1	1	Priming pump 40, Repairs And Replaces 1821157C1
43	1823029C1	1	Gasket 40
44	1820919C1	1	Plug 40
45	379181R1	1	O ring 40
46	1823734C1	1	Spring 40

(A) SUPPLIED WITH FUEL INJECTION PUMP (B) USED ONLY WITH 1824833C91, 1821989C93, 1821989C92, 1821989C91 (C) USED ONLY WITH 1824833C92 AND 1824833C93 (D) WAS 1824833C93, 1824833C92, 1824833C91, 1821989C93 (E) USED ONLY WITH 1821989C93, 1824833C91, 1824833C92 AND 1824833C93 (F) USED ONLY WITH 1824833C94

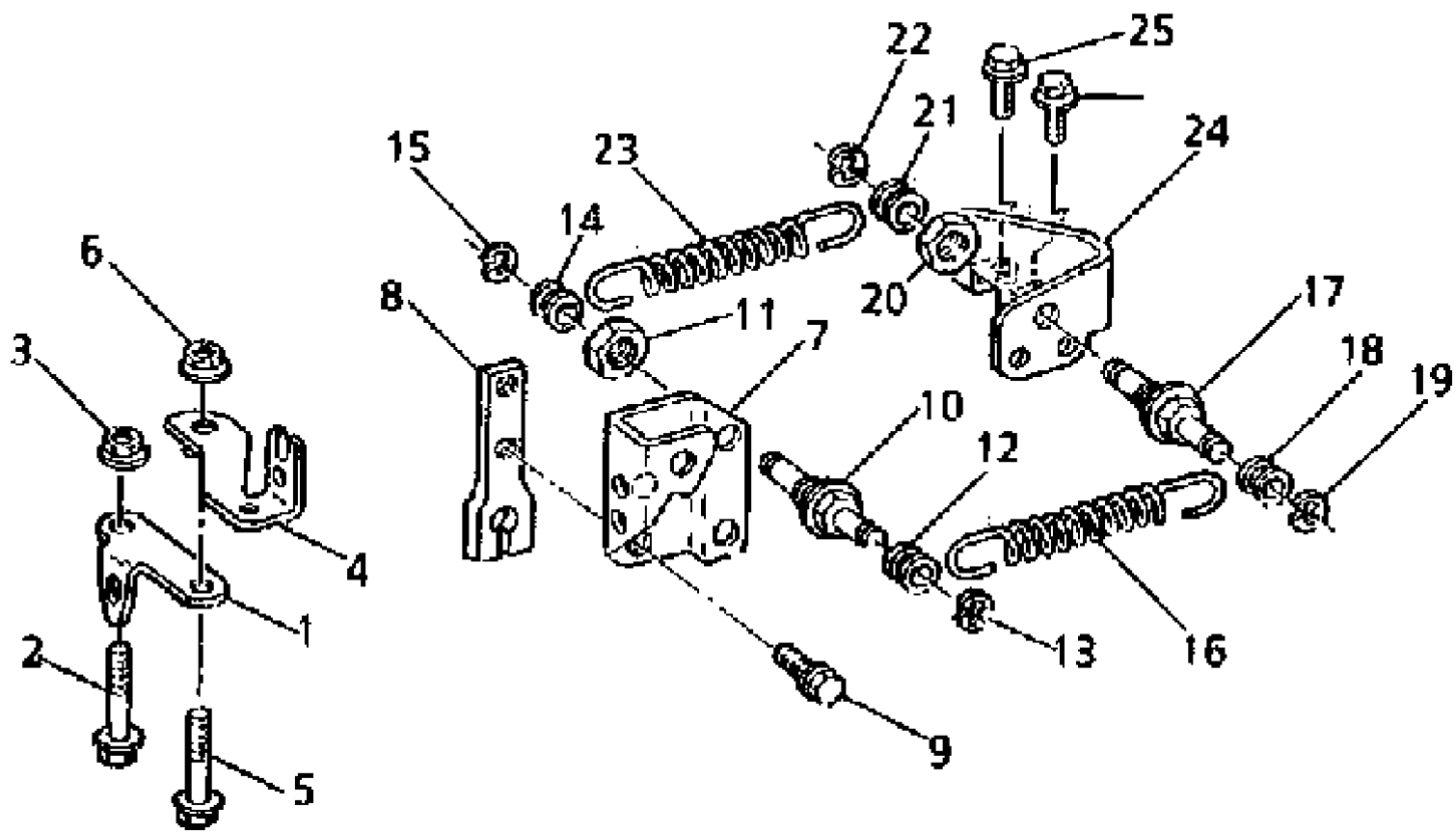
## 1006-6T ENGINE

## 30 LOW PRESSURE FUEL SYSTEM

Ref	Part Number	Qty	Description
47	1820478C1	1	Ball 40
48	26562003	1	Fuel filter 40, used only with 1824833C91, 1821989C93, 1821989C92, 1821989C91
48	1822588C1	1	Fuel filter 40, used only with 1824833C92 and 1824833C93
49		1	Adaptor 40, Order Ref.40
50	1823735C1	1	Plug 40
51	1817677C91	1	Fuel filter
52		1	Cover 51, Order Ref.51
53	1817674C1	1	Strainer 51
54		1	O ring 51, Order Ref.51
55	1823782C1	1	O ring 40
56	444693	1	Plug 40
57	39677DA	1	Bleeder 40, used only with 1821989C93, 1824833C91, 1824833C92 and 1824833C93
57	1816216C1	1	Bleeder 40, used only with 1824833C94
58	1820331C1	1	Clip

(A) SUPPLIED WITH FUEL INJECTION PUMP (B) USED ONLY WITH 1824833C91, 1821989C93, 1821989C92, 1821989C91 (C) USED ONLY WITH 1824833C92 AND 1824833C93 (D) WAS 1824833C93, 1824833C92, 1824833C91, 1821989C93 (E) USED ONLY WITH 1821989C93, 1824833C91, 1824833C92 AND 1824833C93 (F) USED ONLY WITH 1824833C94

**W9542 ZAHW - 001 - C**



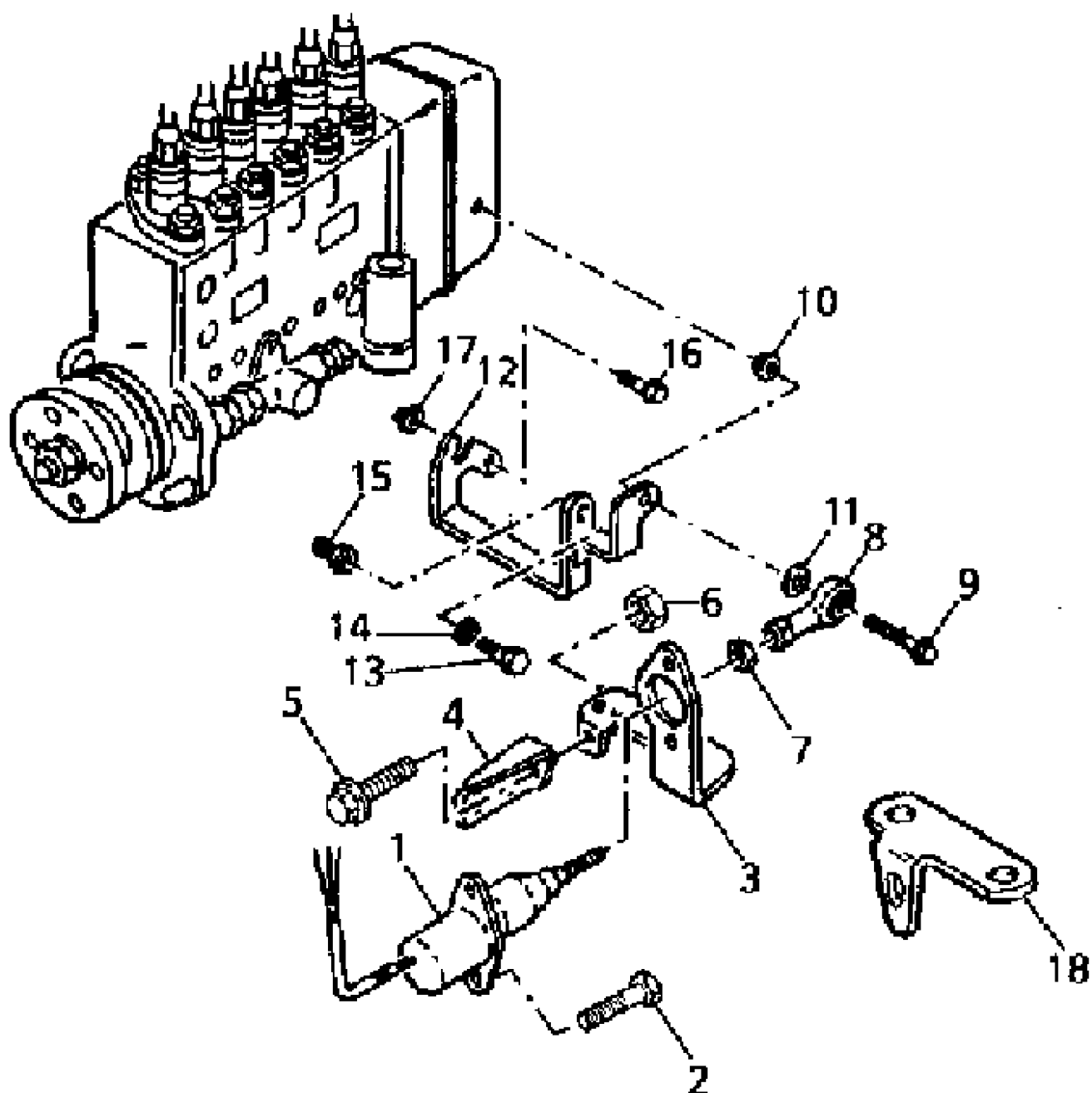


1006-6T ENGINE

34 THROTTLE AND STOP CONTROLS

Ref	Part Number	Qty	Description
2	1818712C1	2	Bolt metric
3	31083R1	2	Nut

**W9544 ZAHW - 002 - E**



(A) SEE FUEL INJECTION SECTION

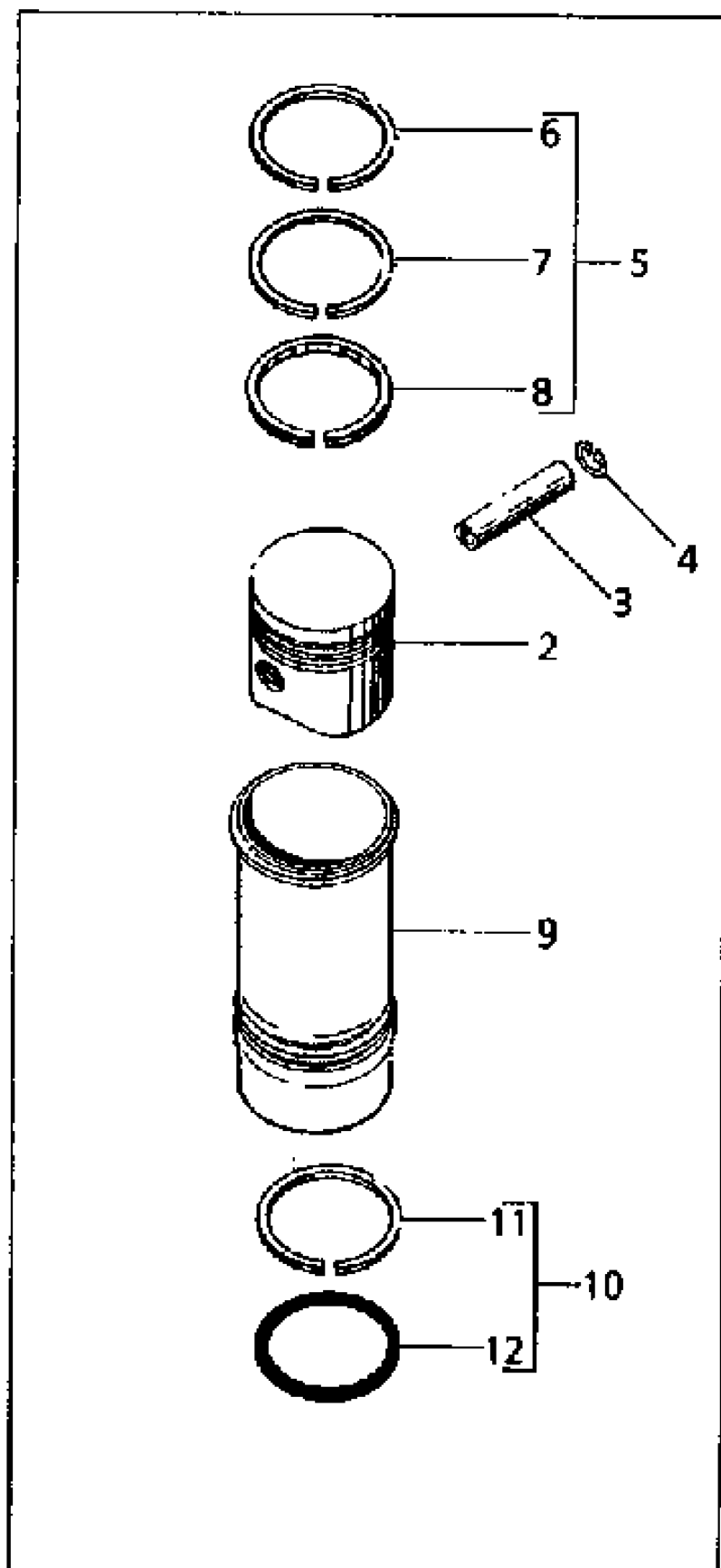
## 1006-6T ENGINE

## 35 THROTTLE AND STOP CONTROLS

Ref	Part Number	Qty	Description
1	1821020C91	1	Solenoid Up To Engine Number U956879
1	1823723C91	1	Solenoid From Engine Number U956880
2	1817812C1	2	Bolt metric Up To Engine Number U956879
2	1817817C1	2	Bolt metric From Engine Number U956880
3	1822078C1	1	Bracket Up To Engine Number U956879
4		1	Bracket, see fuel injection section
5	1818236C1	1	Bolt metric
6	31084R1	1	Nut
7	25930R1	1	Nut
8	1803254C1	1	Rod end
9	1821643C1	1	Bolt metric
10	40049R1	1	Nut
11	27616R1	1	Washer
12	1821124C1	1	Lever
13		1	Bolt, see fuel injection section
14	1820999C1	1	Washer
15		1	Bush, see fuel injection section
16	1817810C1	1	Bolt metric
17	40049R1	1	Nut
18	1822057C1	1	Bracket From Engine Number U956880

(A) SEE FUEL INJECTION SECTION

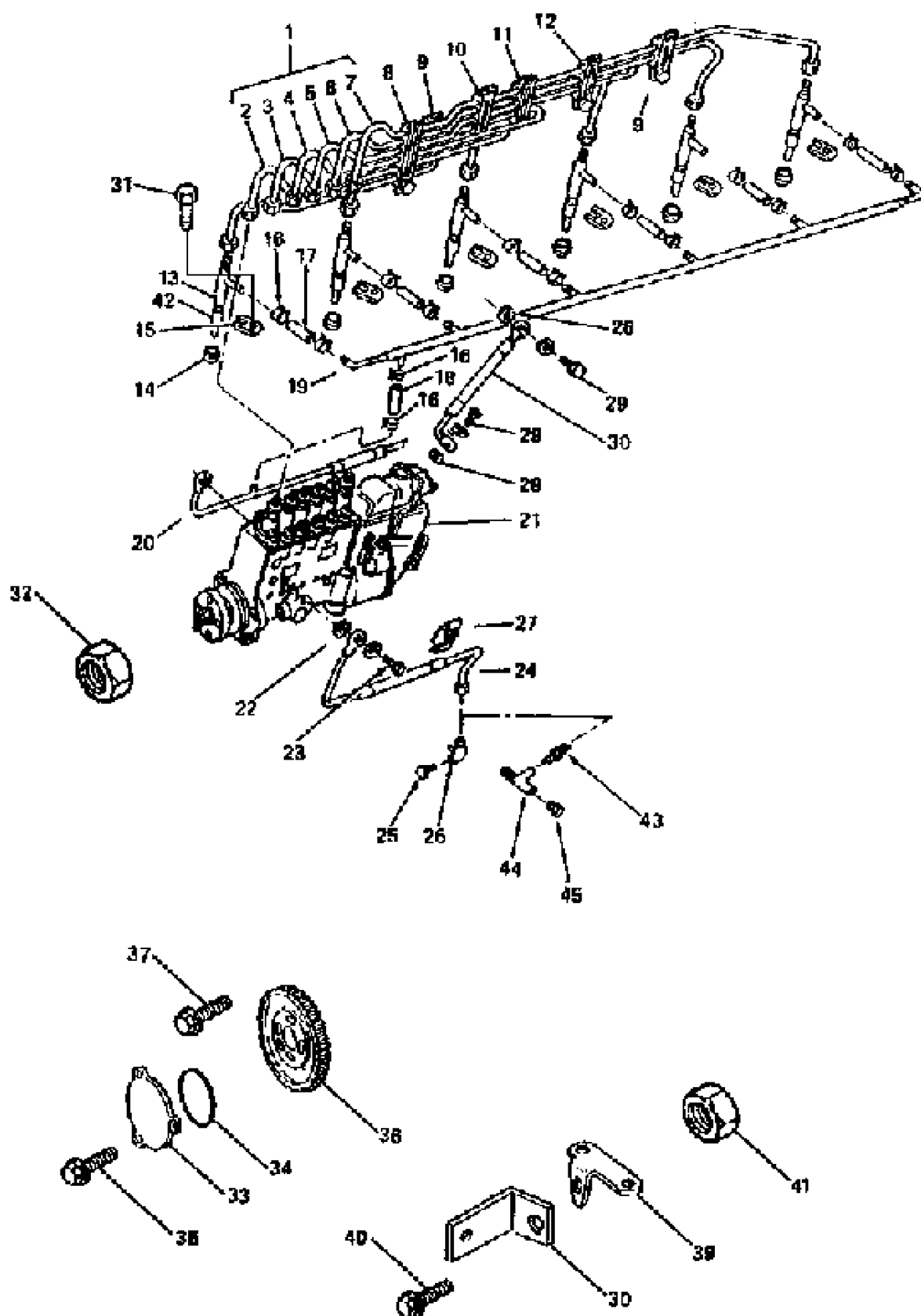
**W9122** | **ACHW - 001 - B**



## 1006-6T ENGINE

## 36 CRANKSHAFT, PISTONS AND CONNECTING RODS

Ref	Part Number	Qty	Description
1	1822333C93	6	Kit, cylinder Repairs And Replaces 1822333C91
2	1822098C3	1	Piston 1, Repairs And Replaces 1822098C1
3	1818552C1	1	Gudgeon pin 1
4	1818702C1	2	Circlip 1
5	1822337C91	1	Kit, piston ring 1
6		1	Piston ring 5, Order Ref.5
7		1	Piston ring 5, Order Ref.5
8		1	Piston ring 5, Order Ref.5
9	1815648C1	1	Liner 1
10	1822322C91	1	Kit, seal 1
11		1	Seal 10, Order Ref.10
12		1	O ring 10, Order Ref.10

**W9171 AFHW - 003 - F**

(A) SECURES 6 FUEL INJECTION PIPES (B) SECURES 2 FUEL INJECTION PIPES (C) SECURES 5 FUEL INJECTION PIPES (D) SECURES 4 FUEL INJECTION PIPES (E) SECURES 3 FUEL INJECTION PIPES (F) BULK LENGTH, CUT TO SUIT (G) WAS 1819382C92 USE 1819382C93, 606885C1, 9409943, 444613 (H) USED ONLY WITH 1819382C92 (J) USED ONLY WITH 1819328C93 AND 1830024C91

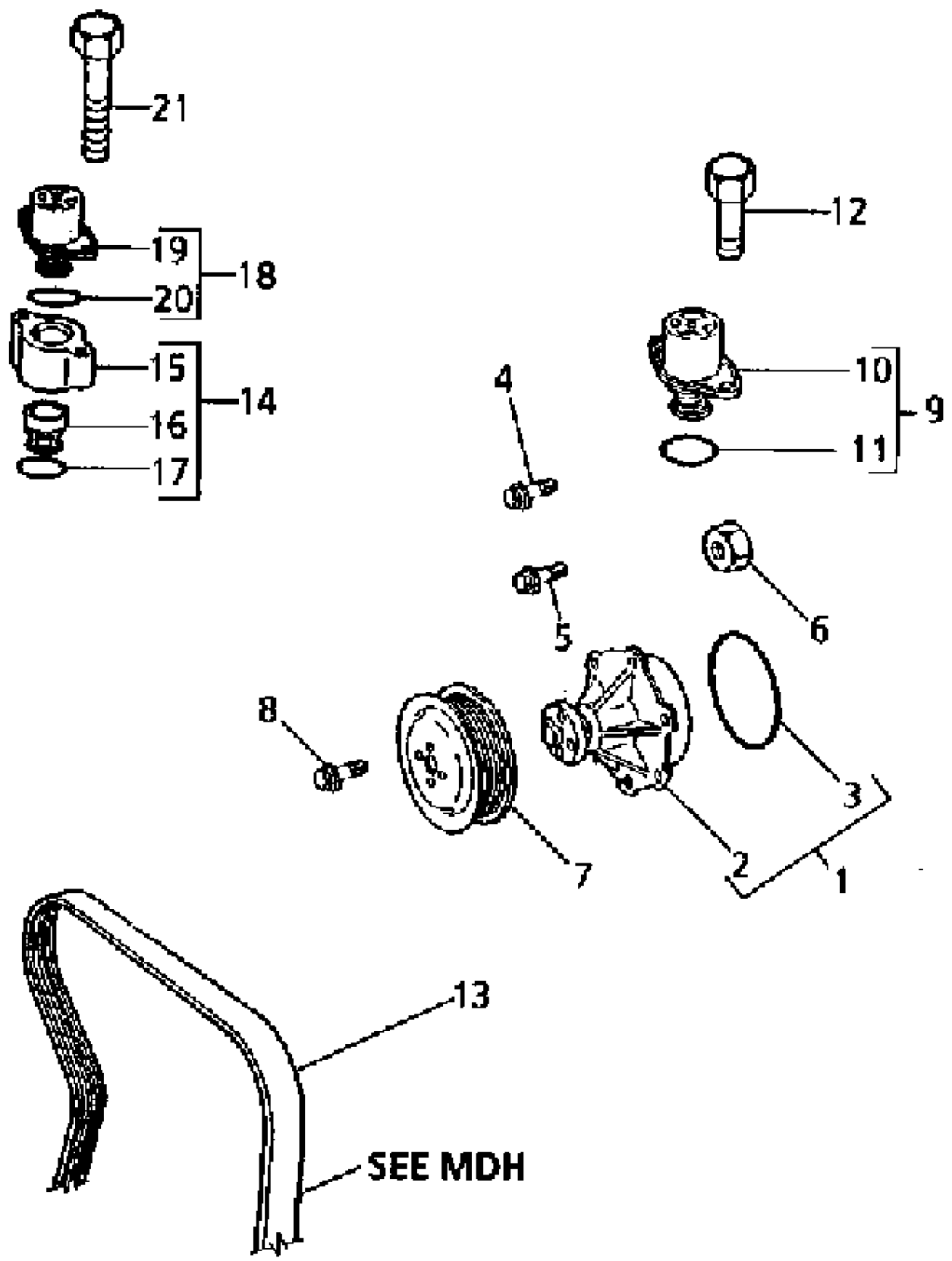
## 1006-6T ENGINE

## 37 FUEL INJECTION EQUIPMENT, DIESEL

Ref	Part Number	Qty	Description
1	1817940C92	1	Injection pipe
2	1817941C2	1	Injection pipe 1, No.1 Cyl.
3	1817942C2	1	Injection pipe 1, No.2 Cyl.
4	1817943C2	1	Injection pipe 1, No.3 Cyl.
5	1817944C2	1	Injection pipe 1, No.4 Cyl.
6	1817945C2	1	Injection pipe 1, No.5 Cyl.
7	1817946C2	1	Injection pipe 1, No.6 Cyl.
8	1820366C91	1	Clamp 1, secures 6 fuel injection pipes
9	1820362C91	2	Clamp 1, secures 2 fuel injection pipes
10	1820365C91	1	Clamp 1, secures 5 fuel injection pipes
11	1820364C91	1	Clamp 1, secures 4 fuel injection pipes
12	1820363C91	1	Clamp 1, secures 3 fuel injection pipes
13	1823933C91	6	Injector Repairs And Replaces 1820846C91
14	682810C1	6	Seal
15	675479C2	6	Clamp
16	1811085C1	14	Clamp
17	680246C1	6	Leak-off pipe, bulk length, cut to suit
18	680246C1	1	Leak-off pipe, bulk length, cut to suit
19	1820898C2	1	Pipe
20		1	Pipe, See Appropriate Section - Reference
21	1824625C91	1	Injection pump Repairs And Replaces 1817593C91
22	933697R1	2	Gasket
23	1810819C1	1	Screw
24	1819382C93	1	Pipe, oil, was 1819382C92 use 1819382C93,
24	1830024C91	1	Pipe, oil From Engine Number 1037275
25	444612	1	Plug (H)
26	1819530C1	1	Elbow (H)
27	1820331C1	1	Clip
28	933697R1	4	Gasket
29	1810819C1	2	Screw
30	1821027C2	1	Pipe,air
31	1817837C1	6	Bolt
32	31083R1	4	Nut
42	1823934C1	1	Nozzle 13, Repairs And Replaces 1820847C1
43	606885C1	1	Adaptor (J)
44	9409943	1	Teepiece (J)
45	444613	1	Plug (J)

(A) SECURES 6 FUEL INJECTION PIPES (B) SECURES 2 FUEL INJECTION PIPES (C) SECURES 5 FUEL INJECTION PIPES (D) SECURES 4 FUEL INJECTION PIPES (E) SECURES 3 FUEL INJECTION PIPES (F) BULK LENGTH, CUT TO SUIT (G) WAS 1819382C92 USE 1819382C93, 606885C1, 9409943, 444613 (H) USED ONLY WITH 1819382C92 (J) USED ONLY WITH 1819328C93 AND 1830024C91

**W9322 LBHW - 002 - B**



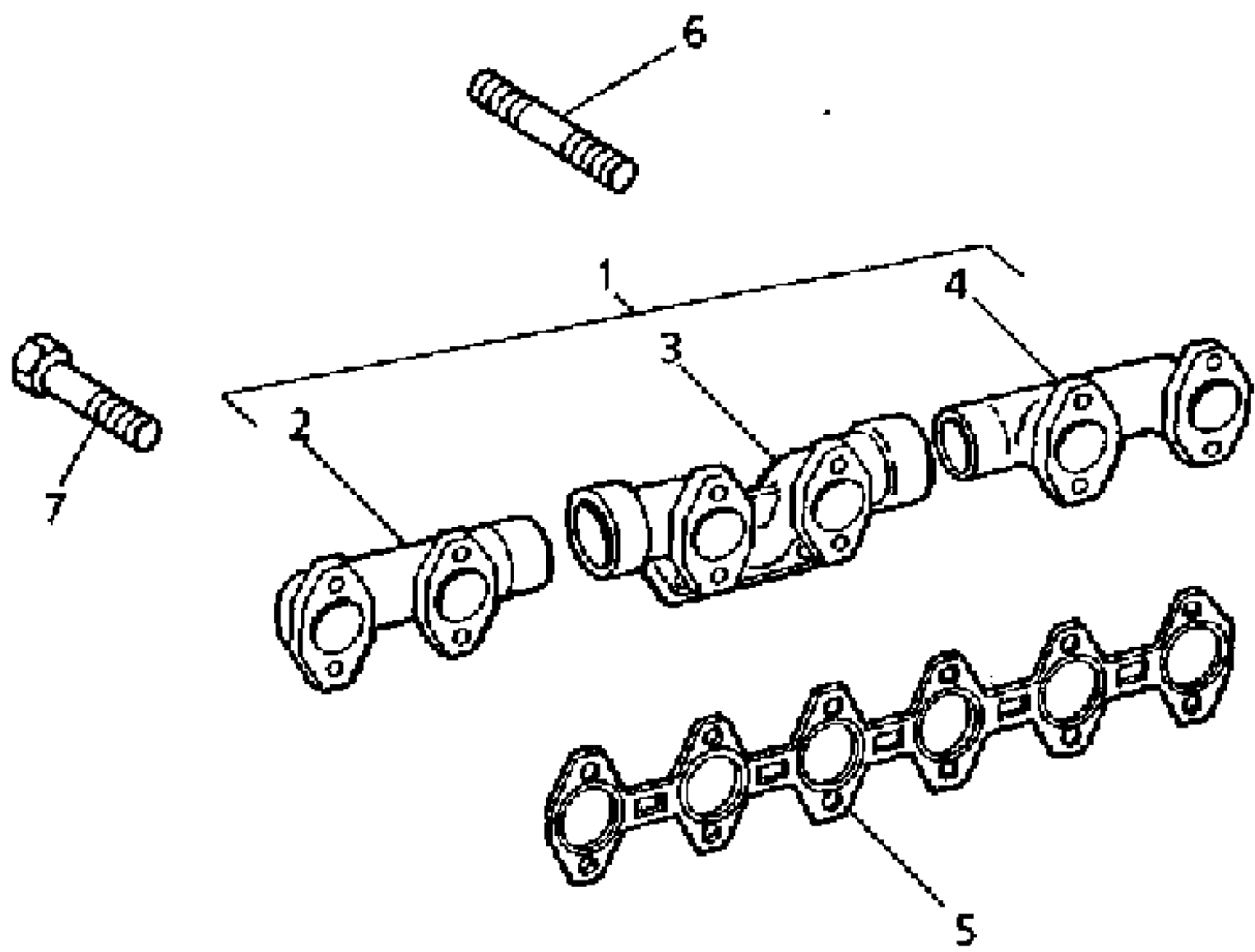


## 1006-6T ENGINE

## 40 WATER PUMP, THERMOSTAT AND HEAT EXCHANGER

Ref	Part Number	Qty	Description
1	1817687C96	1	Water pump, Repairs And Replaces 1817687C95 Repairs And Replaces 1817687C94
2		1	Water pump 1, Part of Water Pump, P/N 1817687C96
3	1819099C1	1	Seal 1
4	1817810C1	6	Bolt metric
5	1817811C1	1	Bolt metric
6	40050R1	1	Nut
7	1817629C1	1	Pulley, fan
8	1817810C1	4	Bolt metric

**W9427 SBHW - 001 - C**



(A) PART NUMBER DETAILS CAN BE FOUND UNDER THE OPTION PACK PREFIXED "NO"

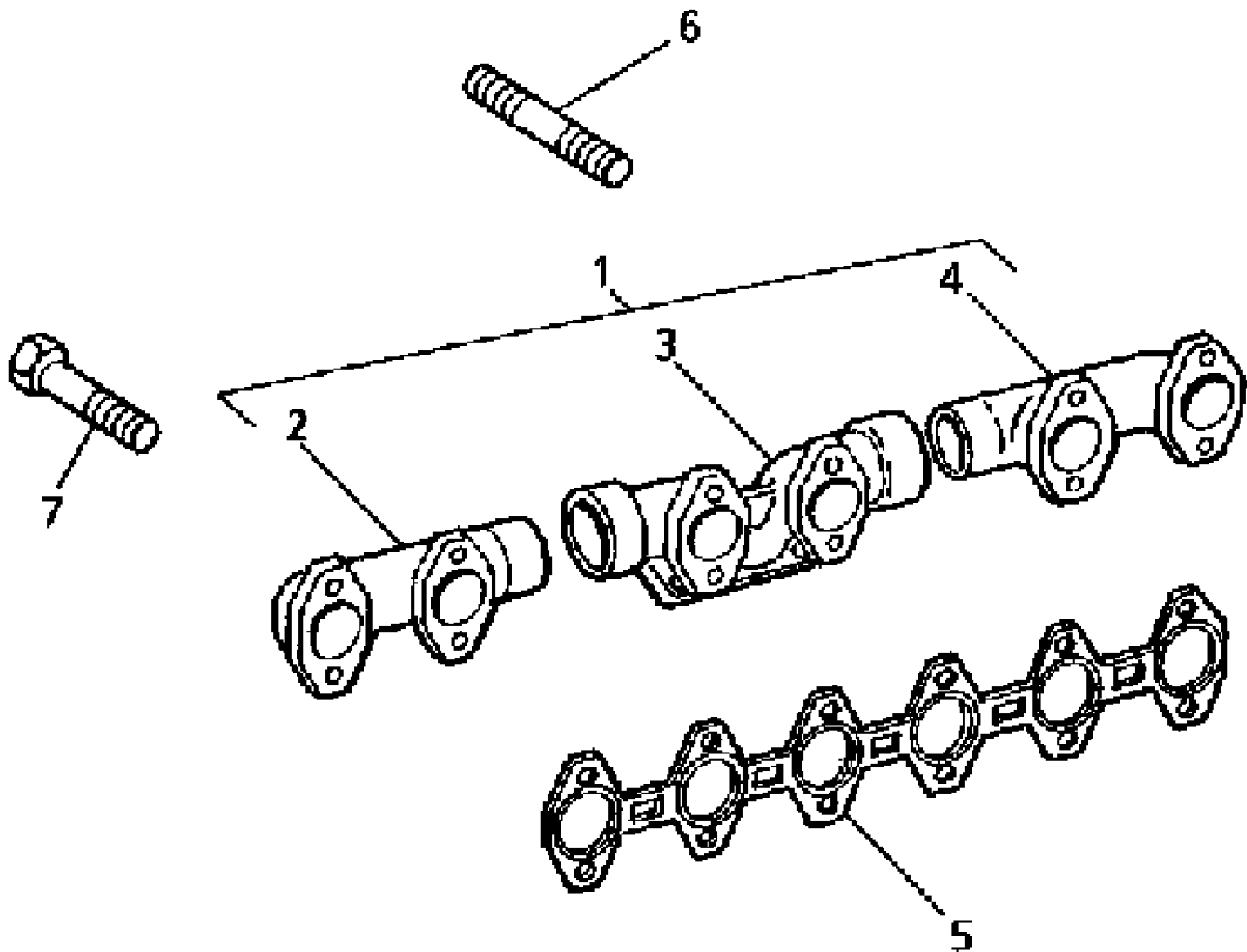
## 1006-6T ENGINE

## 41 TURBOCHARGER, MANIFOLDS AND AIR CHARGE COOLER

Ref	Part Number	Qty	Description
1		1	Exhaust manifold, part number details can be found under the option pack prefixed "NO"
2		1	Exhaust manifold, part number details can be found under the option pack prefixed "NO"
3		1	Exhaust manifold, part number details can be found under the option pack prefixed "NO"
4		1	Exhaust manifold, part number details can be found under the option pack prefixed "NO"
5		1	Gasket, part number details can be found under the option pack prefixed "NO"
6		4	Stud, part number details can be found under the option pack prefixed "NO"
7		12	Bolt metric, part number details can be found under the option pack prefixed "NO"

(A) PART NUMBER DETAILS CAN BE FOUND UNDER THE OPTION PACK PREFIXED "NO"

**W9427 SBHW - 001 - C**

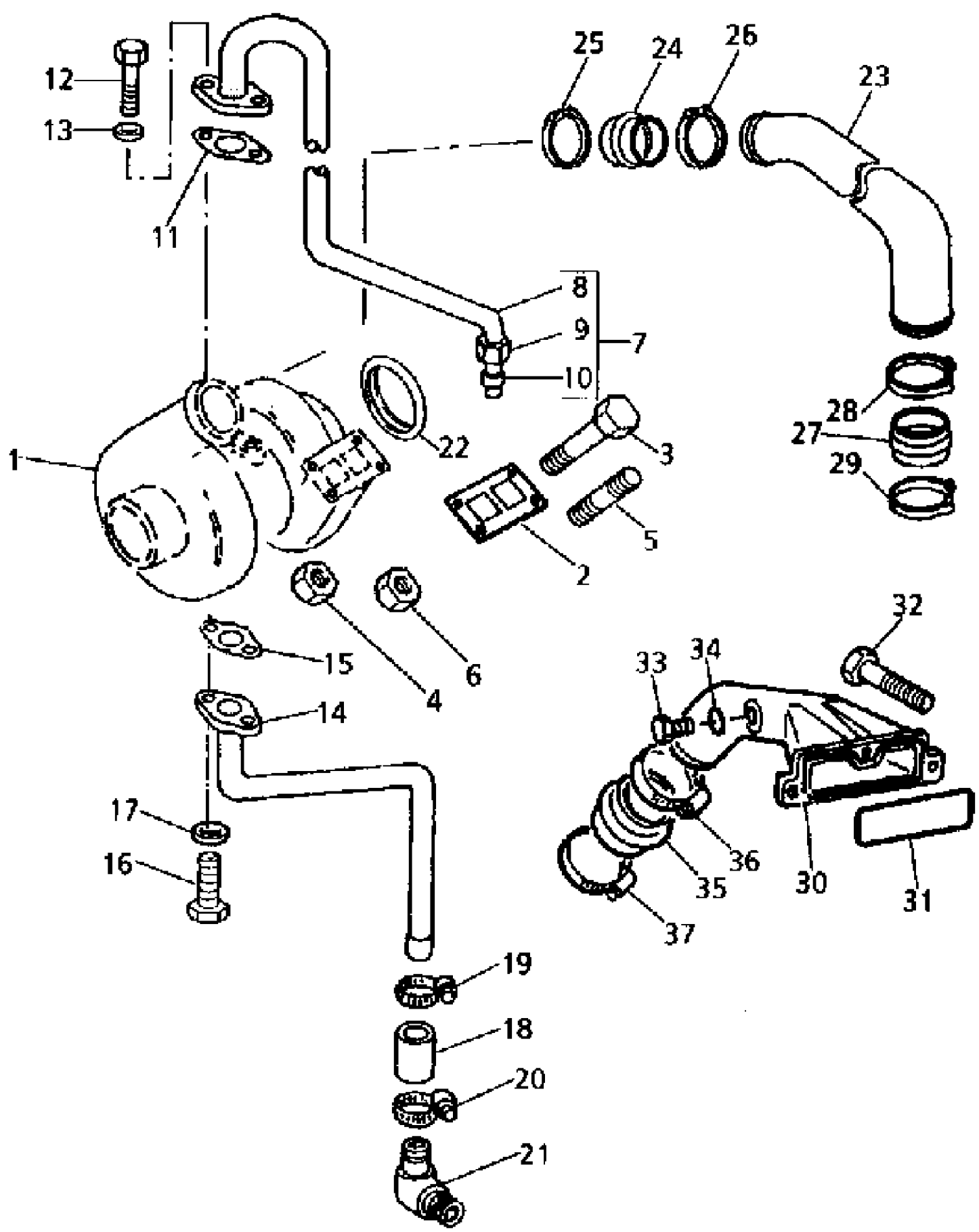


## 1006-6T ENGINE

## 42 TURBOCHARGER, MANIFOLDS AND AIR CHARGE COOLER

Ref	Part Number	Qty	Description
1		1	Exhaust manifold Order Ref.2, 3 & 4
2	1814149C2	1	Exhaust manifold
3	1818561C3	1	Exhaust manifold
4	1814149C2	1	Exhaust manifold
5	1825436C1	1	Gasket Repairs And Replaces 1814752C1
6	1821642C3	4	Stud
7	1817830C1	12	Bolt metric

**W9425 SBHW-003-A**

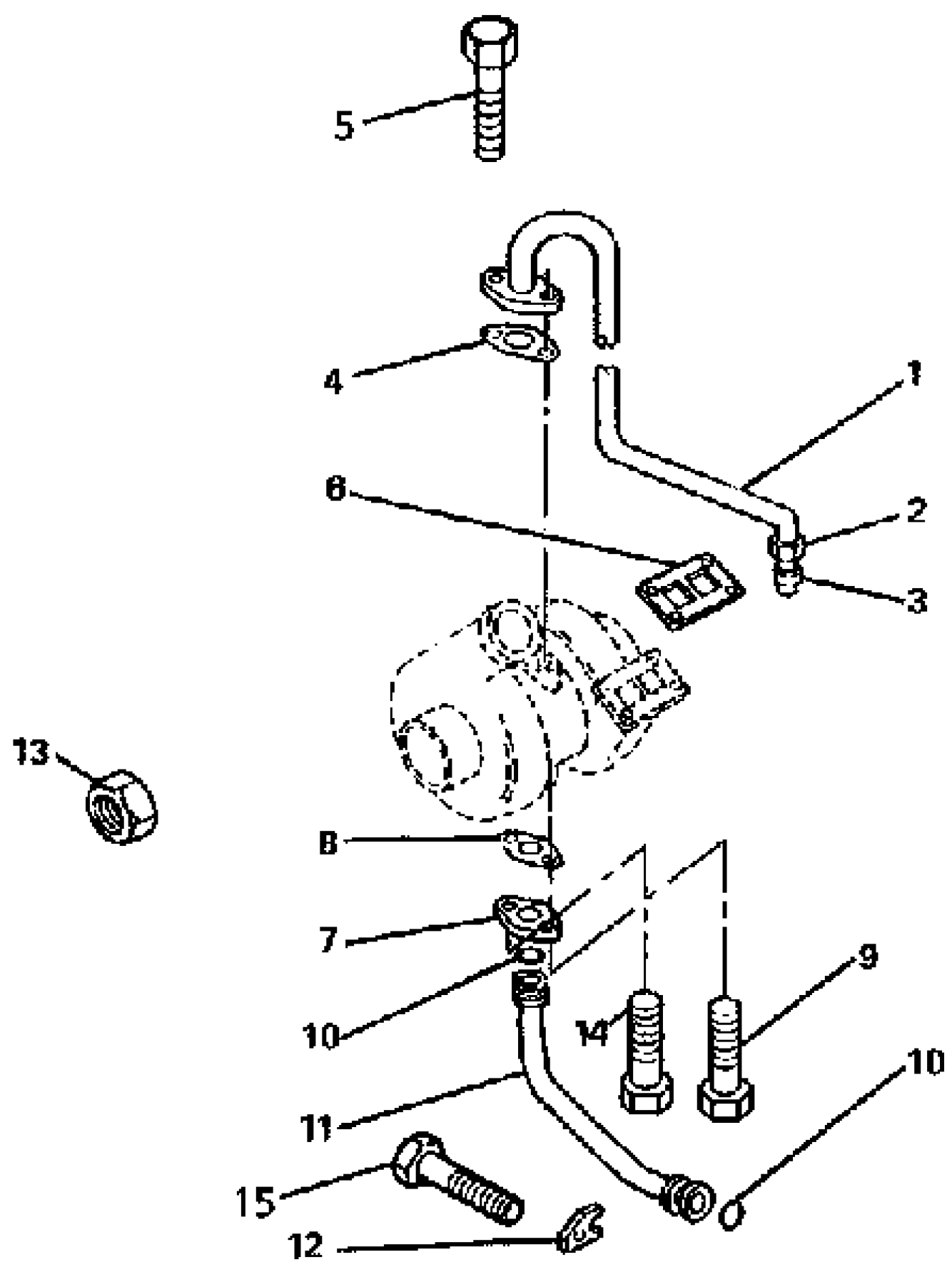


## 1006-6T ENGINE

## 43 TURBOCHARGER, MANIFOLDS AND AIR CHARGE COOLER

Ref	Part Number	Qty	Description
29	893944R92	1	Clamp
30	1821945C1	1	Pipe, air
31	1822247C2	1	O ring
32	1817958C1	3	Bolt metric Repairs And Replaces 1817959C1
33	1821011C1	1	Plug
34	933697R1	1	Gasket
35	1821946C1	1	Hose
36	1821949C1	1	Hose clip
37	1821949C1	1	Hose clip

**W9429 SBHW - 002 - E**



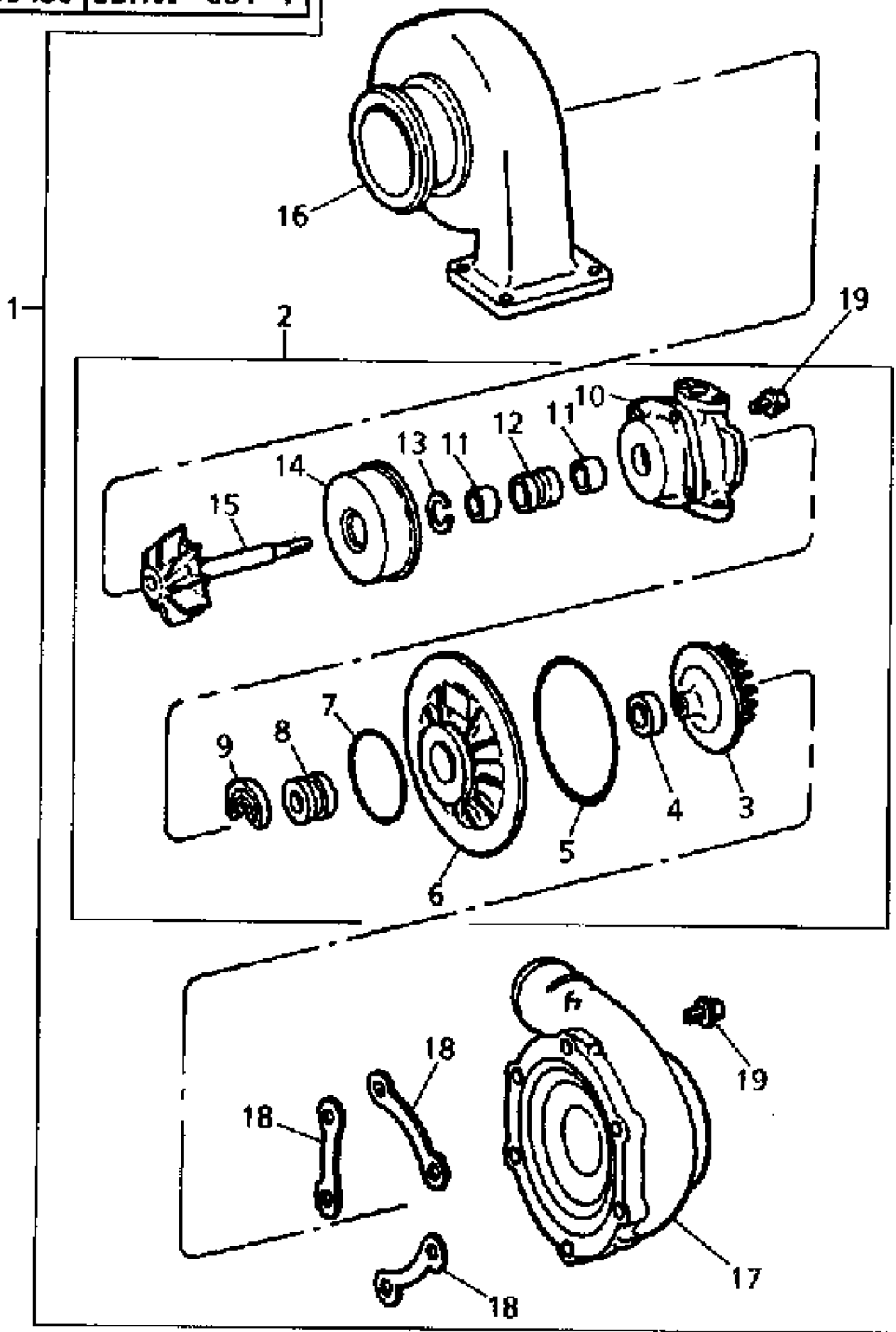


## 1006-6T ENGINE

## 45 TURBOCHARGER, MANIFOLDS AND AIR CHARGE COOLER

Ref	Part Number	Qty	Description
1	1818732C94	1	Tube assy
2	265205R1	1	Nut 1
3	265204R1	1	Olive 1
4	253660R2	1	Joint
5	1817958C1	2	Bolt metric
6	1822120C1	1	Gasket
7	1819271C1	1	Flange
8	1820936C1	1	Gasket
9	1817958C1	2	Bolt metric
10	1818402C1	2	O ring
11	1818735C1	1	Tube
12	1817671C1	1	Bracket
13	1821648C1	4	Nut
15	1817812C1	1	Bolt metric

**W9430 SBHW - 001 - F**



(A) USED ONLY WITH 1820958C91 (B) USED ONLY WITH 1820958C92 (C) BREAKDOWN OF 1825412C91 HAS YET TO BE ADVISED

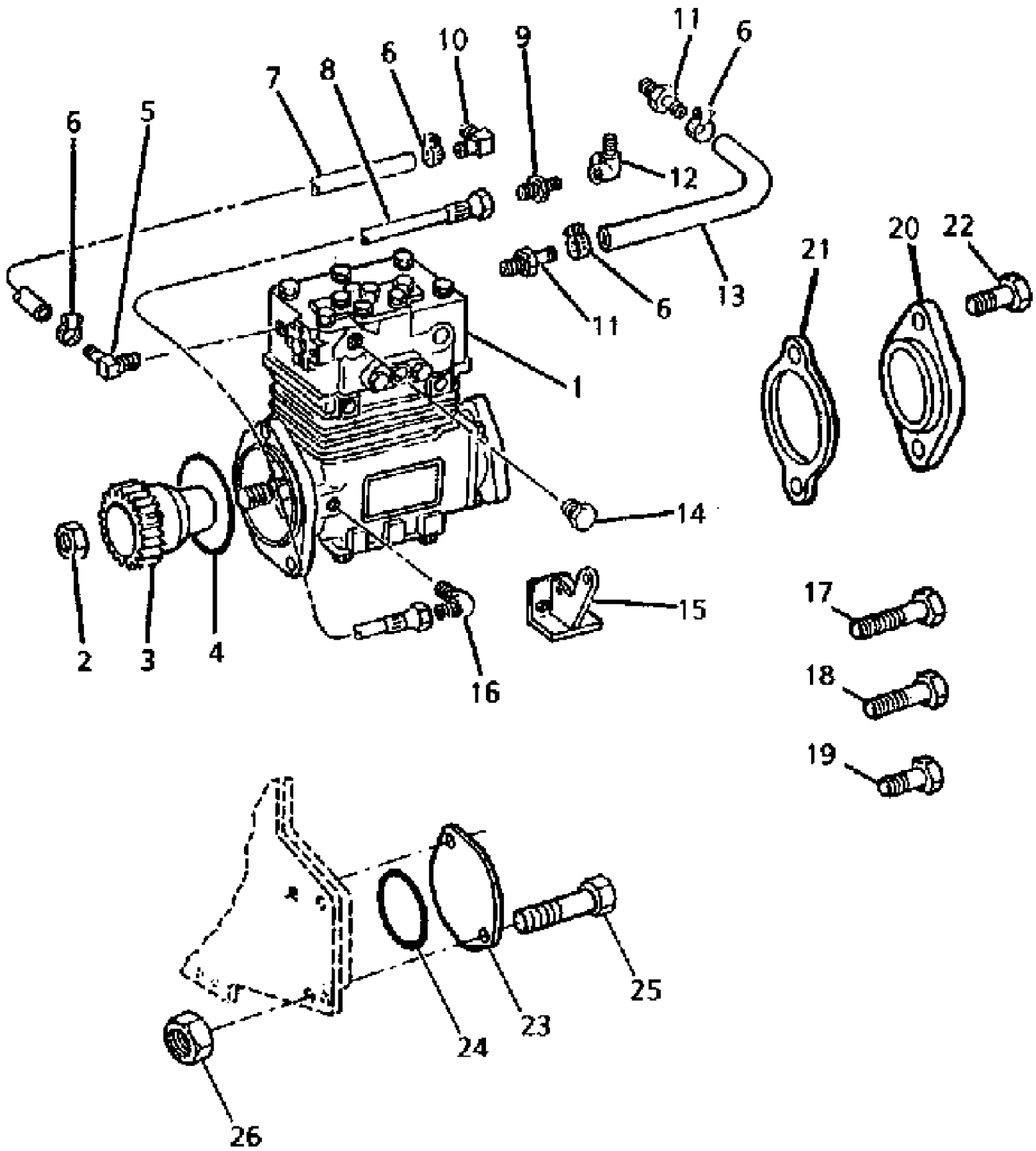
## 1006-6T ENGINE

## 46 TURBOCHARGER, MANIFOLDS AND AIR CHARGE COOLER

Ref	Part Number	Qty	Description
1	1825412C91	1	Turbocharger, Repairs And Replaces 1820958C92, breakdown of 1825412C91 has yet to advised
2	1822291C92	1	Housing, 1, Repairs And Replaces 1822291C91
3	1822283C1	1	Wheel 2
4	1822271C1	1	Seal 2
5	1822280C1	1	O ring 2
6	1822274C1	1	Backplate 2
7	691466C1	1	O ring 2, used only with 1820958C91
7	1822278C1	1	O ring 2, used only with 1820958C92
8	1822273C1	1	Collar 2
9	1822292C1	1	Bearing 2
10	1822266C1	1	Housing 2
11	1822275C1	2	Bearing 2
12	1822276C1	1	Spacer 2
13	1822279C1	1	Ring 2
14	1822277C1	1	Shroud 2
15	1822290C1	1	Shaft 2
16	1822289C1	1	Housing 1
17	1822282C1	1	Housing 1
18	1822268C1	3	Clamp 1
19	1821349C1	23	Screw 1, used only with 1820958C91
19	1822267C1	23	Screw 1, used only with 1820958C92

(A) USED ONLY WITH 1820958C91 (B) USED ONLY WITH 1820958C92 (C) BREAKDOWN OF 1825412C91 HAS YET TO BE ADVISED

**W9405 QDHW-002-A**

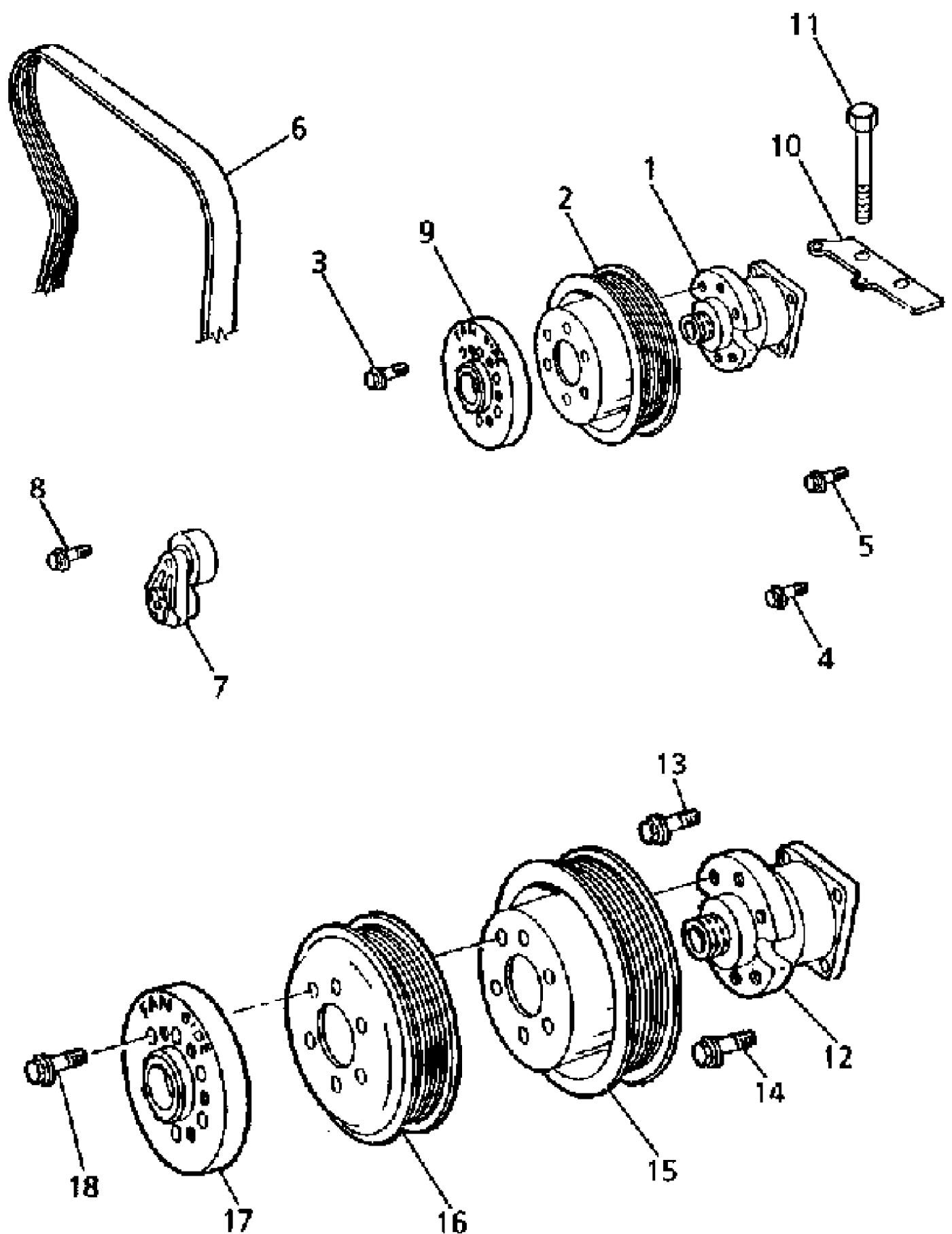


## 1006-6T ENGINE

## 48 GEAR DRIVE AUXILIARY DRIVE OPTIONS

Ref	Part Number	Qty	Description
23	1818432C1	1	Plate
24	1818727C1	1	Gasket
25	1822372C1	2	Bolt metric
26	31084R1	2	Nut

**W9352 MDHW-003-C**



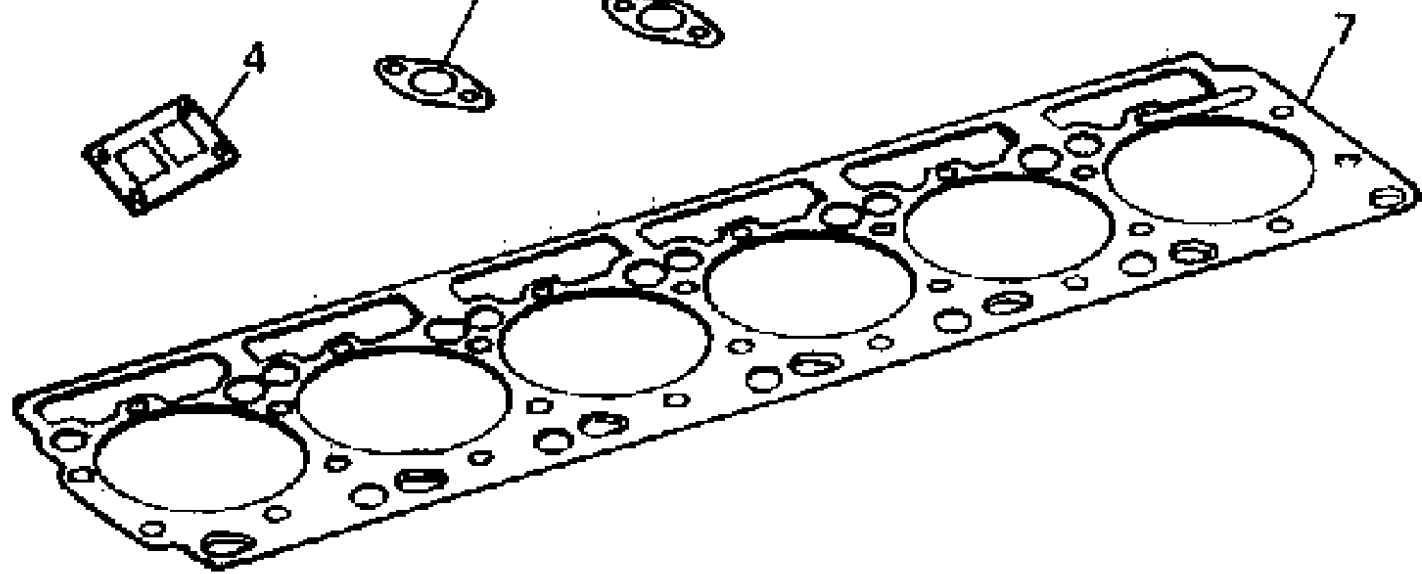
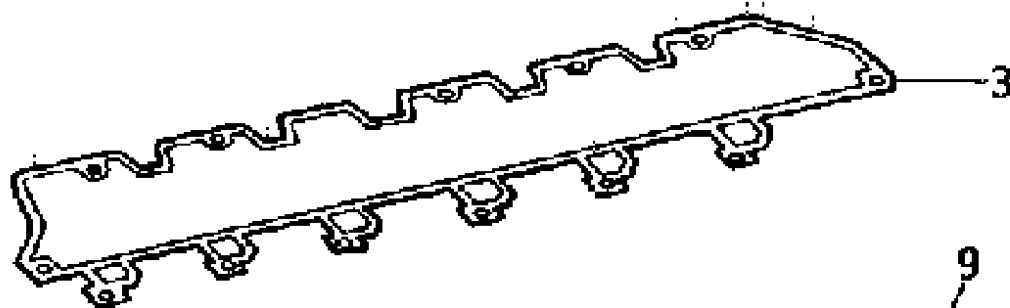
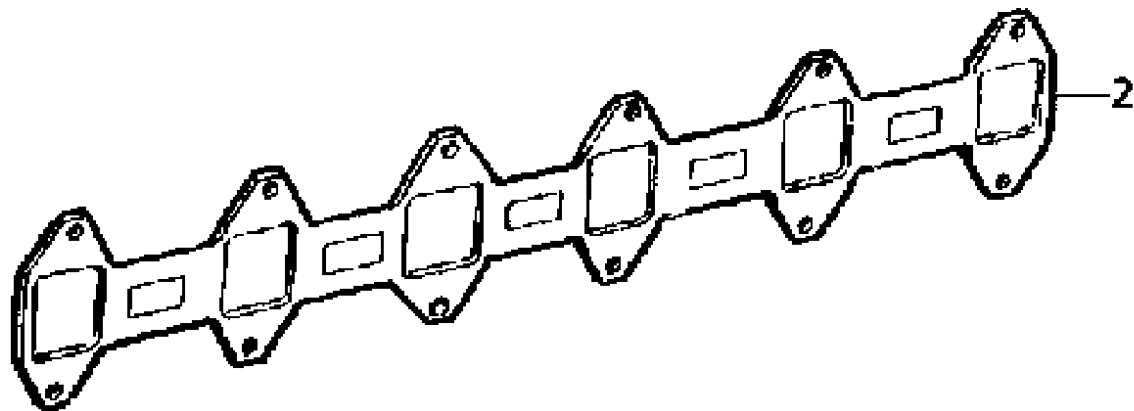
1006-6T ENGINE

49 FAN AND EXTENSION

Ref	Part Number	Qty	Description
6	1819391C1	1	Belt, fan

**W9711 SACW -001-B**

1



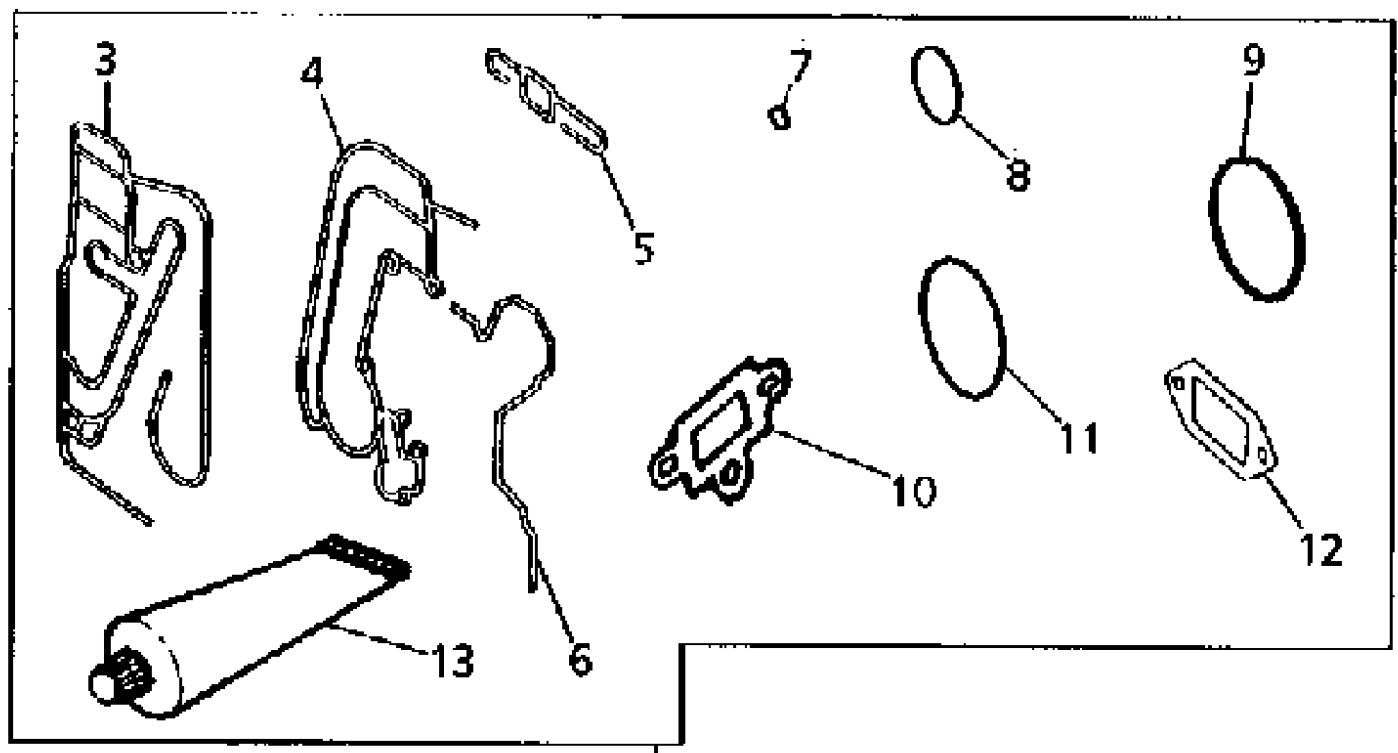


## 1006-6T ENGINE

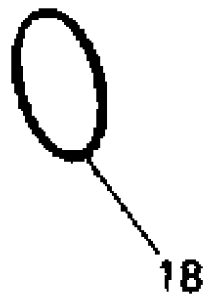
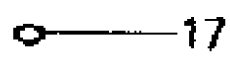
## 50 JOINTS AND GASKETS, TOP SERVICE KIT

Ref	Part Number	Qty	Description
1	1822328C93	1	Kit, joint/gasket, Repairs And Replaces 1822328C92
2	1814752C1	1	Gasket 1
3	1817510C1	1	Gasket 1
4	670073C2	1	Joint 1
5	253660R2	1	Joint 1
6	1820936C1	1	Gasket 1
7	1817562C4	1	Head gasket, 1, Repairs And Replaces 1817562C3
8	1820951C1	1	O ring 1
9	682810C1	6	Seal 1

**W9721 SGBW -001-B**



2



## 1006-6T ENGINE

## 51 JOINTS AND GASKETS, BOTTOM SERVICE KIT

Ref	Part Number	Qty	Description
1	1830374C91	1	Kit, joint/gasket, Repairs And Replaces 1822366C99 Repairs And Replaces 1822366C98
2	1822365C97	1	Kit, joint/gasket, 1, Repairs And Replaces 1822365C96
3	1820416C4	1	Gasket, 2, Repairs And Replaces 1820416C3
4	1818717C5	1	Gasket, 2, Repairs And Replaces 1818717C4 Repairs And Replaces 1818717C3
5	1818716C2	2	Kit, capacity 2
6	1820438C1	1	O ring 2
7	1820907C1	1	O ring 2
8	1819250C2	1	Seal 2
9	1817862C1	2	Seal 2
10	1817974C1	1	Gasket 2
11	1819099C1	1	Seal 2
12	1816722C1	1	Gasket 2
13		1	Compound 2, T.B.A.
14	1822054C1	1	Gasket 1
15	1817849C2	1	Gasket 1, Repairs And Replaces 1817849C1
16	1818401C2	1	Seal 1
17	1818402C1	2	O ring 1
18	1819234C1	1	O ring 1
19	682444C1	1	Seal 1

