

Tabela 1

Table 1 – working slat

Table 1		Cat. No. or Standard	Qty	Notes
No.	Part name	Z108/8 2.5m	Z108/8	
	Working slat set. Contains: tab.1. pos.: 1-35 tab.2. pos.: 1, 2, 5-10.	5108/16-000		
	Cutting unit. Contains: tab.1. pos. 12-15, 26, 28, 29, 31, 32, 34. tab.3. type 1. pos. 1, 2, 4, 5, 7-12.	5108/23-020/1		
	Cutting unit+drum. Contains: tab.1. pos. 12-15, 26, 28, 29, 31, 32, 34. tab.3. type 1. pos. 1, 3-13.	5108/23-096/1		
	Cutting unit (option with holder) Contains: tab.1. pos. 8, 9, 10, 11, 20, 25, 27, 30, 33. tab.3. type 1. pos. 1, 4, 5, 7-9, 1. tab.3. type 2. pos. 1, 2, 4.	5108/24-094/1		
	Cutting unit+drum (option with holder) Contains: tab.1. pos. 8, 9, 10, 11, 20, 25, 27, 30, 33. tab.3. type 1. pos. 1, 4, 5, 7-9, 1. tab.3. type 2. pos. 1, 3, 4.	5108/24-095/1		
	Lower hub set. Contains: 12-15, 26, 28, 29, 31, 32.	5108/23-097		
1	Welded slat	5108/16-001	1	
2	Slipper, external left	5108/23-008	1	
3	Slipper, external right	5108/23-007	1	
4	Slipper, middle	5108/23-006	4	



Spare parts

**Rear-attached disc mower
Z108/8 – 2,5m with swath spreader**

5	Bar closure	5108/23-011	1	
6	Filling plug	5108/23-012	1	
7	Driving wheel cover	5108/23-013	1	
8	Indirect wheel bearing housing	5108/23-015	11	
9	Clamping sleeve washer	5108/23-016	11	
10	Clamping sleeve	5108/23-017	11	
11	Indirect toothed wheel z=58	5108/23-001	11	
12	Lower hub	5108/23-021/1	6	
13	Cutting disc axle	5108/23-022/1	6	
14	Space washer	5108/23-023	6	
15	Toothed wheel of the cutting disc z=18	5108/23-003/1	6	
16	Drain plug	5108/23-012	1	
17	Bolt M10×25-8,8-B-Fe/Zn 8	DIN 7991	12	
18	Screw M8×30-5,8-B-Fe/Zn8	DIN 7991	4	
19	Screw M8×20-8,8-B-Fe/Zn8	DIN 7991	6	
20	Bolt M12×25-8,8-B-Fe/Zn8	5036-01-0515	12	
21	Nut M12-8-B-Fe/Zn8	PN/M-82144	30	
22	Nut M10-8-B-Fe/Zn8	PN/M-82144	12	
23	Spring washer 12,2-Fe/Zn 8	PN/M-82008	30	
24	Spring washer 10,2-Fe/Zn8	PN/M-82008	12	
25	Retaining ring 75w	PN/M-85111	22	
26	Retaining ring 72w	PN/M-85 111	6	
27	Retaining ring 45z	PN/M-85111	22	
28	Retaining ring 30z	PN/M-86111	6	
29	Bearing 6306	PN/M-86100	12	
30	Bearing 6009	PN/M-86100	11	
31	Sealing ring AO 35×72×7	PN/M-86964	6	
32	Sealing ring OS 80×4	PN/M-73093	1	
33	Sealing ring OS 30×2,5	PN/M-73093	22	
34	Key A8×7×22	PN/M-85200	12	
35	Small slipper	5108/23-095	5	

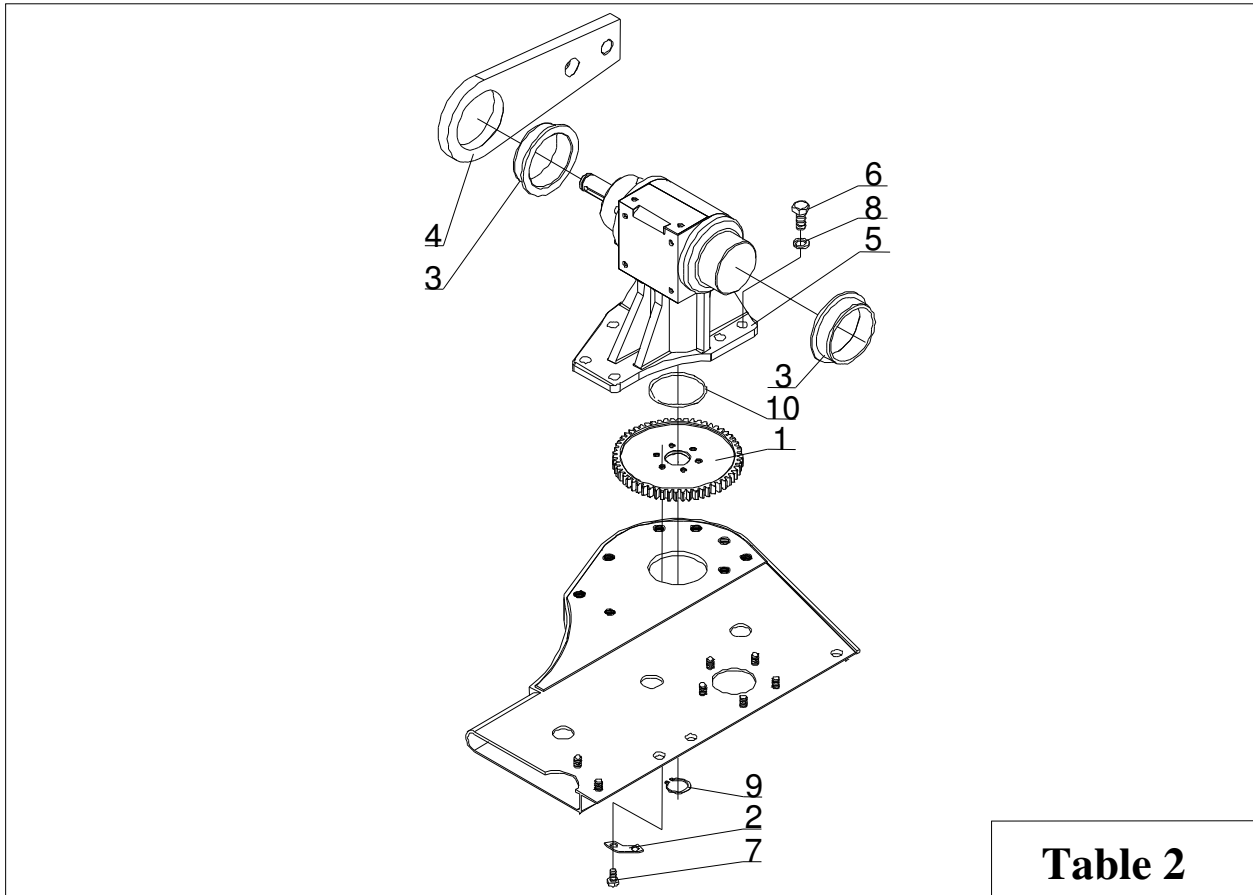


Table 2

Table 2 – working slat drive

Table 2		Cat. No. or Standard	Qty	Notes
No.	Part name	Z108/8 2.5m	Z108/8	
1	2	3	4	5
1	Driving wheel z=58	5108/23-002		
2	Bent washer	5108/23-004		
3	Sliding sleeve	5108/23-035		
4	Clamping ring (lug)	5108/23-034		
5	Angular gear	5108/23-005		
6	Bolt M16x35-8,8-B-Fe/Zn8	PN/M-82105		
7	Bolt M10x20x1,25-12,9-B	PN/M-82105		
8	Spring washer 16,4-Fe/Zn8	PN/M-82008		
9	Retaining ring30z	PN/M-85111		
10	Sealing ring OS 90x4	PN/M-73093		

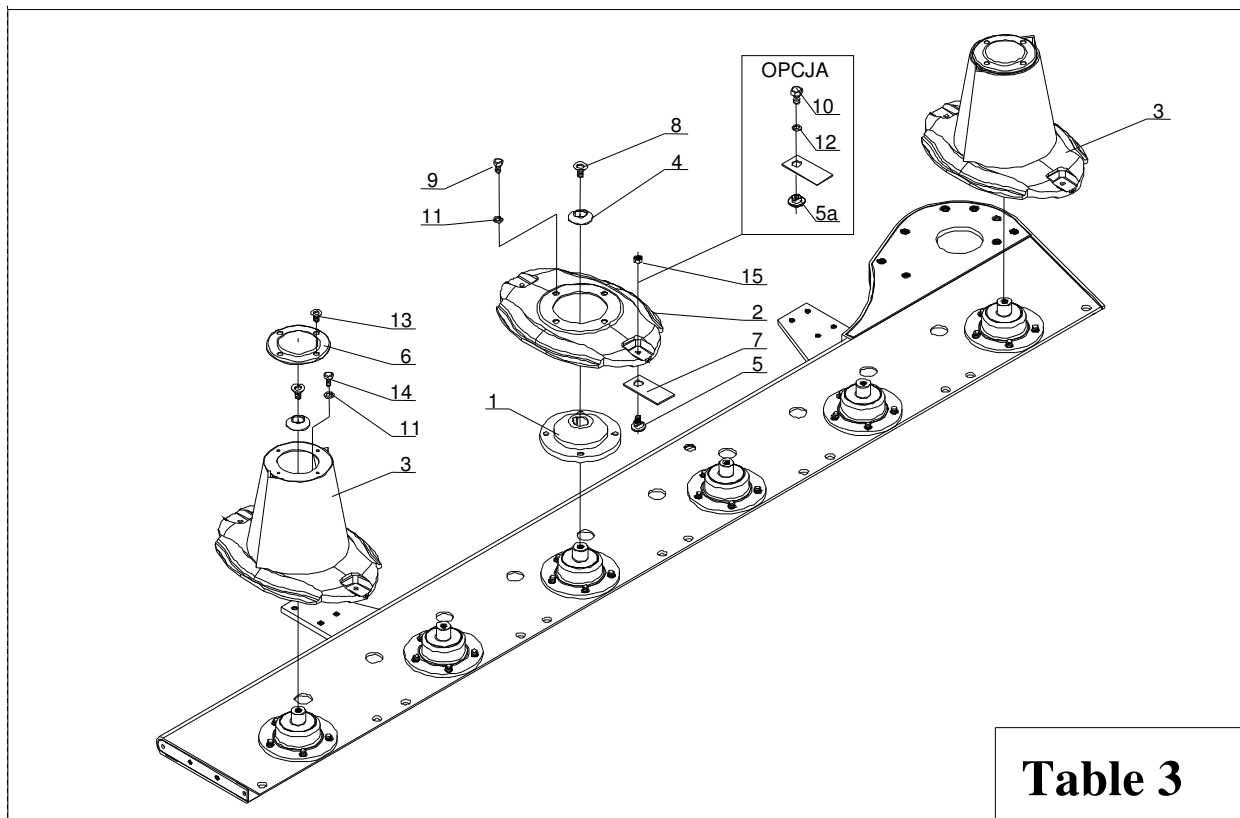


Table 3

Table 3 – cutting unit

Table 3		Cat. No. or Standard	Qty	Notes
No.	Part name	Z108/8 2.5m	Z108/8	
1	Cutting disc hub	5108/23-024/1	6	
2	Cutting disc	5108/23-025	4	
3	Cutting disc with drum	5108/23-026	2	
4	Cutting disc hub cover	5108/23-029	6	
5	Knife holder	5108/25-0209	12	
5a	Knife holder	5108/23-028	12	Optional
7	Knife, L-left	5108/23-009L	6	
	Knife, R -right	5108/23-009P	6	
8	Bolt M12×25-8,8-B-Fe/Zn8	5036-01-0515	6	
9	Bolt M12×25-8,8-B-Fe/Zn8	PN/M-82105	24	
10	Bolt M10×20×1,25-12,9-B-Fe/Zn8	PN/M-82105	12	Optional
11	Spring washer 12,2-Fe/Zn8	PN/M-82008	24	
12	Spring washer 10,2-Fe/Zn8	PN/M-82008	12	Optional
13	Allen screw M6×20-8,8-B-Fe/Zn8	DIN7991	8	
14	Bolt M12×30-8,8-B-Fe/Zn8	PN/M-82105	8	
15	Lock-nut M10-8-B-Fe/Zn	PN-85/M-82175	12	

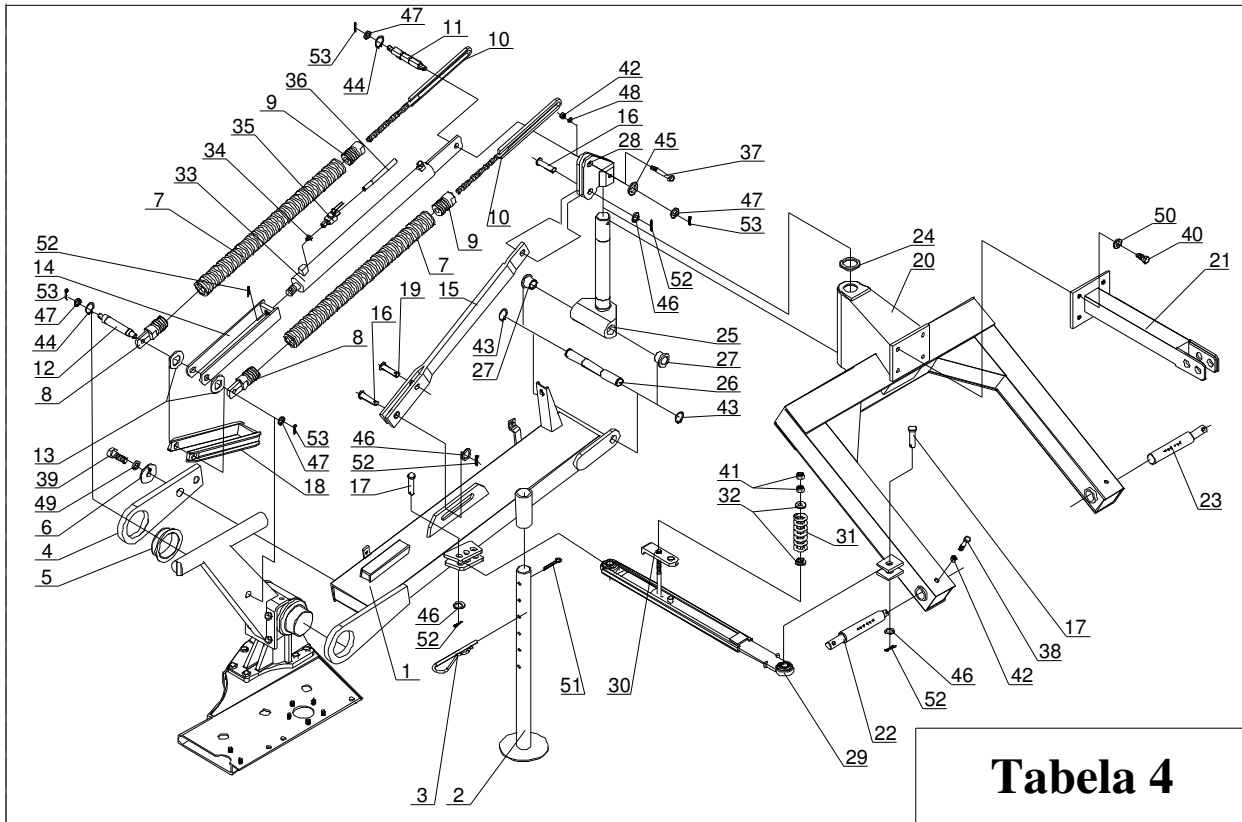


Table 4 – suspension

Table 4		Cat. No. or Standard	Qty	Notes
No.	Part name	Z108/8 2.5m	Z108/8	
	Relief spring set. Contains pos.: 7-10.	5108/16-002	2	
	Safety device set. Contains pos.: 29-32,41.	5108/24-090	1	
1	Welded bar	5108/23-031/1	1	
2	Bar support	5108/23-032	1	
3	Support spring	5108/23-033	1	
4	Lug	5108/23-034/1	1	
5	Sliding sleeve	5108/23-035	2	
6	Protective washer	5108/23-036	1	
7	Relief spring	5108/16-003	2	
8	Relief spring stretcher	5108/23-039	2	
9	relief spring thread	5108/23-040	2	
10	Relief spring tension bolt	5108/23-041	2	
11	Relief spring tension pin	5108/23-042	1	
12	Pawl pin	5108/23-043	1	
13	Adjustment washer	5108/23-095	2	
14	Screwed extension arm	5108/23-044	1	
15	Oblique arm	5108/23-046	1	
16	Pin Ø22 l=56	5108/23-047	2	
17	Safety device pin	5108/23-048	2	
18	Pawl	5108/23-049	1	
19	Pin Ø14 l=53	5108/23-050	1	
20	Suspension frame	5108/16-004	1	
21	Catch	5108/24-072	1	
22	Catch pin l	5108/23-073	1	



Spare parts

**Rear-attached disc mower
Z108/8 – 2,5m with swath spreader**

23	Catch pin II	5108/23-074	1	
24	Space washer Ø50	5108/23-075	1	
25	Vertical axle	5108/24-076/1	1	
26	Horizontal shaft	5108/23-078/1	1	
27	Articulated joint sleeve	5108/23-079/1	2	
28	Welded head	5108/24-080	1	
29	Safety device pull-out slat	5108/23-091	1	
30	Safety device lock	5108/23-092	1	
31	Safety device spring	5108/23-093	1	
32	Centring washer	5108/23-094	2	
33	Cylinder	5108/23-045	1	
34	Złączka	15-28/L8MD	1	
35	Valve M14x1,5	NW6	1	
36	Hose L=2500	AA-13-2500 13/13	1	
37	Bolt M12x100-8,8-B-Fe/Zn8	PN/M-82105	1	
38	Bolt M12x60-8,8-B-Fe/Zn8	PN/M-82105	2	
39	Bolt M20x70-8,8-B-Fe/Zn8	PN/M-82105	1	
40	Bolt M14x35-8,8-B-Fe/Zn8	PN/M-82105	4	
41	Nut M14-8-B-Fe/Zn8	PN/M-82144	2	
42	Nut M12-8-B-Fe/Zn8	PN/M-82144	3	
43	Retaining ring 35z	PN/M-85111	2	
44	Retaining ring 24z	PN/M-85111	2	
45	Washer 24 Fe/Zn8	PN/M-82004	1	
46	Washer 22-Fe/Zn8	PN/M-82004	4	
47	Washer 16-Fe/Zn8	PN/M-82004	4	
48	Washer 13-Fe/Zn8	PN/M-82005	1	
49	Spring washer 20,6	PN/M-82008	1	
50	Spring washer 14,4	PN/M-82008	4	
51	Cotter pin S-Zn-6,3x70	PN/M82001	1	
52	Cotter pin S-Zn-5x45	PN/M82001	5	
53	Cotter pin S-Zn-5x25	PN/M82001	4	

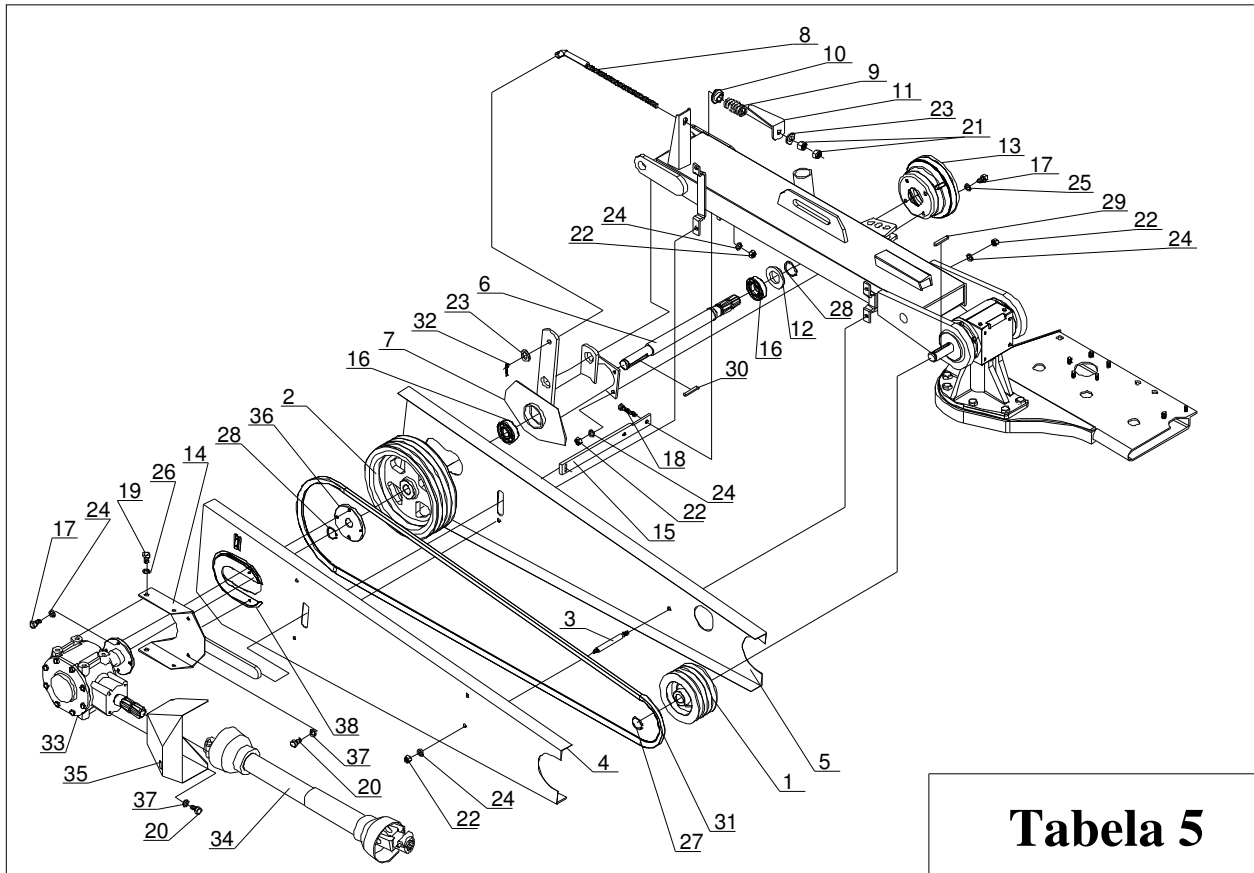


Table 5 – belt transmission

Table 5		Cat. No. or Standard	Qty	Notes
No.	Part name	Z108/8 2.5m	Z108/8	
1	Pulley Ø167	5108/23-057	1	
2	Pulley Ø305	5108/23-056/1	1	
3	Stud bolt	5108/23-065	4	
4	Front side guard	5108/16-005	1	
5	Rear side guard	5108/16-006	1	
6	Splines shaft	5010/42-000/1	1	
7	Splines shaft housing	5108/21-053	1	
8	Stretcher bolt	5108/23-061	1	
9	Belt stretcher spring	5108/23-062	1	
10	Centring washer	5108/23-064	1	
11	Belt tension indicator	5108/23-063	1	
12	Protection washer	5108/23-055	1	
13	Splines shaft guard	21903	1	
14	Gear mounting	5108/16-007	1	
15	Short slat	5108/16-008	1	
16	Bearing 6207	PN/M-86100	2	
17	Bolt M10x25-8,8-B-Fe/Zn8	PN/M-82105	8	
18	Bolt M10x35-8,8-B-Fe/Zn8	PN/M-82105	2	
19	Bolt M12x25-8,8-B-Fe/Zn8	PN/M-82105	4	
20	Bolt M8x20-8,8-B-Fe/Zn8	PN/M-82105	6	
21	Nut M16-8-B-Fe/Zn8	PN/M-82144	2	
22	Nut M10-8-B-Fe/Zn8	PN/M-82144	14	
23	Washer 17 Fe/Zn8	PN/M-82005	2	
24	Spring washer 10,2 Fe/Zn8	PN/M-82008	18	



Spare parts

**Rear-attached disc mower
Z108/8 – 2,5m with swath spreader**

25	Washer 10,5 Fe/Zn8	PN/M-82005	4	
26	Spring washer 12,2 Fe/Zn8	PN/M-82008	4	
27	Retaining ring 30z	PN/M-85111	1	
28	Retaining ring 35z	PN/M-85111	2	
29	Key A8x7x70	PN-70/M-85005	1	
30	Key A8x7x85	PN-70/M-85005	1	
31	V-belt HB 3350	PN/M-85200	4	
32	Cotter pin S-Zn-5x36	PN-76/M-82001	1	
33	Angular gear	090-02.E01.R	1	FPK Starosielski
34	Articulated / telescopic shaft	C-51160	1	
35	Gear shaft guard	5010/43-010	1	
36	Drive hub	5010/42-001	1	
37	Spring washer 8,2 Fe/Zn8	PN/M-82008	6	
38	Hub guard	5108/16-033	1	

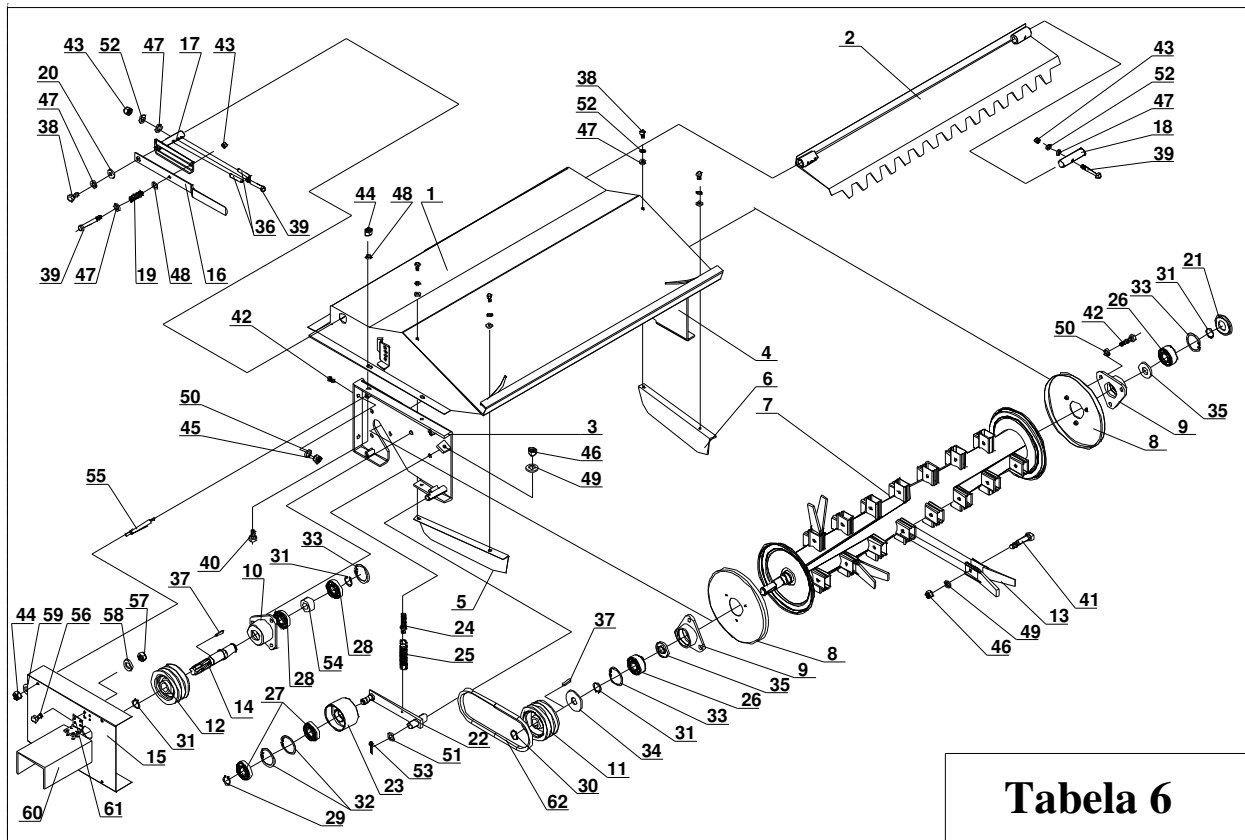


Table 6 – spreader (with guards)

Table 6		Cat. No. or Standard	Qty	Notes
No.	Part name	Z108/8 2.5m	Z108/8	
	Spreader set.	5108/16-009		
	Spreader haft set. Contains: tab.6. pos.: 10-21, 23, 29, 32, 36, 39	5108/16-010		
	Stretcher set. Contains: tab. 6. pos.: 22-25, 27, 29, 32, 51, 53	5108/16-011		
1	Spreader guard	5108/27-018	1	
2	Spreader comb	5108/27-019	1	
3	Side wall left	5108/16-012	1	
4	Side wall right	5108/27-021	1	
5	Guiding plate left	5108/27-022	1	
6	Guiding plate right	5108/27-023	1	
7	Spreader shaft	5108/16-013	1	
8	External shaft guard	5010/44-003	1	
9	Bearing housing I	5010/44-001	2	
10	Bearing housing II	5108/16-014	1	
11	Pulley $\phi 141 \times \phi 30$	5108/16-015	1	
12	Pulley $\phi 141 \times \phi 35$	5108/16-016	1	
13	Plastic rams	5010/45-001	60	
14	Splines shaft L= 216	5108/16-017	1	
15	Belt transmission guard, set	5108/16-018	1	
16	Adjustment handle, set	5010/46-004	1	
17	Adjustment pin I	5108/27-024	1	
18	Pin II	5010/46-007	1	
19	Pressure spring	5010/46-008	1	



Spare parts

Rear-attached disc mower
Z108/8 – 2,5m with swath spreader

20	Special washer	5010/46-009	1	
21	Bearing cover	5010/44-002	1	
22	Stretcher arm, set	5108/16-019	1	
23	Stretcher roller ϕ 108	5108/27-013	1	
24	Stretcher adjustment bolt	5108/16-020	1	
25	Stretcher spring	5108/27-015	1	
26	Bearing 1207	PN-79/M-86130	2	
27	Bearing 6204ZZ	PN-79/M-86100	2	
28	Bearing 6207ZZ	PN-79/M-86100	2	
29	Retaining ring20z	PN-81/M-85111	1	
30	Retaining ring30z	PN-81/M-85111	1	
31	Retaining ring35z	PN-81/M-85111	4	
32	Retaining ring47z	PN-81/M-85111	2	
33	Retaining ring72w	PN-81/M-85111	3	
34	Sealing ring A35x72x10	PN-81/M-86964	1	
35	Sealing ring A45x65x10	PN-81/M-86964	2	
36	Spring bolt 8x40	PN-89/M-85023	2	
37	Key A 8x7x50	PN-70/M-85005	2	
38	Bolt M8x20-8.8-B-Fe/Zn8	PN-85/M-82105	5	
39	Bolt M8x60-8.8-B-Fe/Zn8	PN-85/M-82105	3	
40	Bolt M10x30-8.8-B-Fe/Zn8	PN-85/M-82105	4	
41	Bolt M12x50-8.8-B-Fe/Zn8	PN-85/M-82105	30	
42	Bolt M14x35-8.8-B-Fe/Zn8	PN-85/M-82105	13	
43	Nut M8-8-B-Fe/Zn8	PN-85/M-82144	3	
44	Nut M10-8-B-Fe/Zn8	PN-85/M-82144	8	
45	Nut M14-8-B-Fe/Zn8	PN-85/M-82144	4	
46	Lock-nut M12-8-B-Fe/Zn8	PN-85/M-82175	31	
47	Washer 8.4 Fe/Zn8	PN-78/M-82005	8	
48	Washer 10.5 Fe/Zn8	PN-78/M-82005	5	
49	Washer 13 Fe/Zn8	PN-78/M-82005	31	
50	Washer 15 Fe/Zn8	PN-78/M-82005	13	
51	Washer 22 Fe/Zn8	PN-78/M-82005	1	
52	Spring washer 8.2 Fe/Zn8	PN-77/M-82008	6	
53	Cotter pin S-Zn 5x45	PN-76/M-82001	1	
54	Space sleeve	5108/16-021	1	
55	Studs	5108/16-022	4	
56	Bolt M6x12-8.8-B-Fe/Zn8	PN-85/M-82105	8	
57	Nut M6-8-B-Fe/Zn8	PN-85/M-82144	8	
58	Spring washer 6.2 Fe/Zn8	PN-77/M-82008	8	
59	Spring washer 10.2 Fe/Zn8	PN-77/M-82008	4	
60	PTO metal sheet guard	5108/16-023	1	
61	Hinge 50x100	5108/16-024	1	
62	V-belt HB 945	PN/M-85200	3	

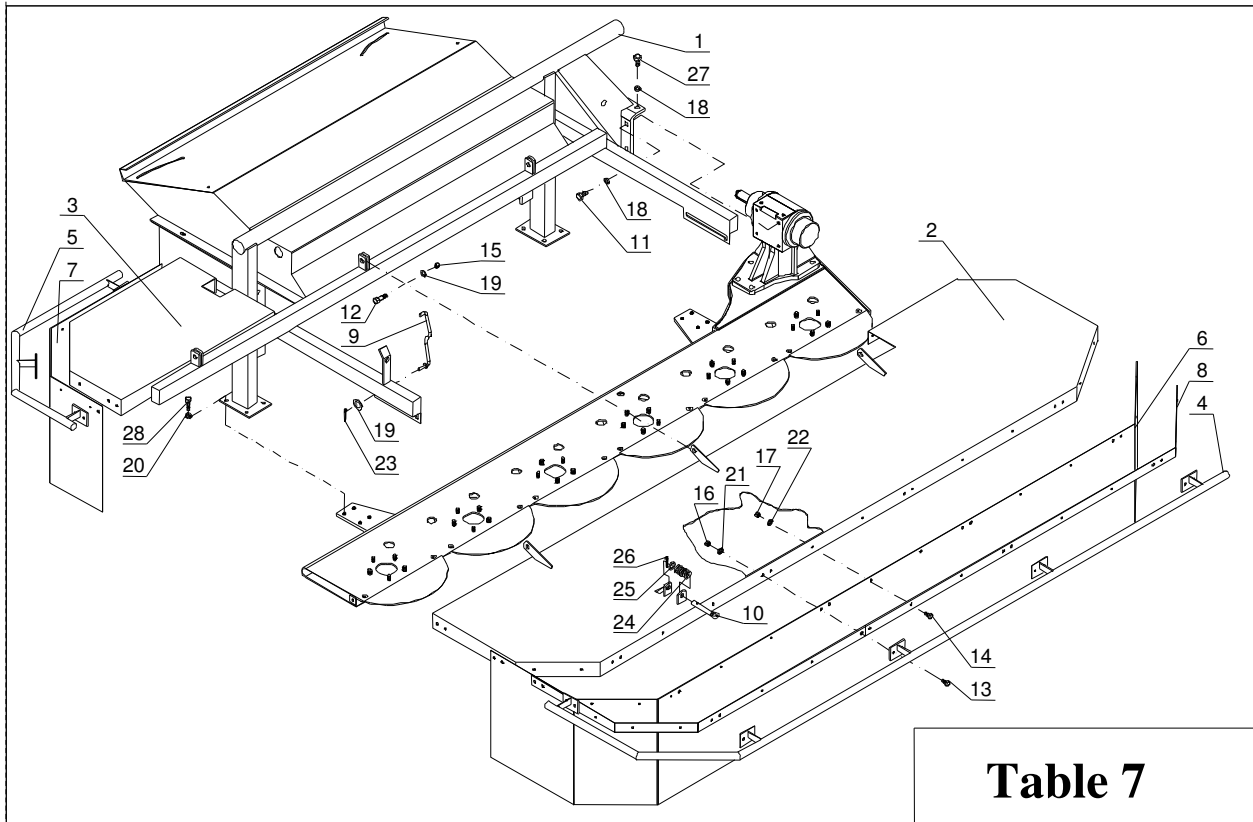


Table 7

Table 7 – frame with guards

Table 7		Cat. No. or Standard	Qty	Notes
No.	Part name	Z108/8 2.5m	Z108/8	
1	Frame	5108/16-025	1	
2	Front guard	5108/16-026	1	
3	Rear guard	5108/16-027	1	
4	Front barrier	5108/16-028	1	
5	Rear barrier	5108/16-029	1	
6	Front apron	5108/16-030	1	
7	Rear apron	5108/16-031	1	
8	Front pressure slat	5108/16-032	1	
9	Guard support	5108/26-046	2	
10	Clamp pin	5108/23-112	1	
11	Bolt M14x35-8.8-B-Fe/Zn8	PN-85/M-82105	4	
12	Bolt M10x35-8.8-B-Fe/Zn8	PN-85/M-82105	3	
13	Bolt M8x20-5.6-B-Fe/Zn8	PN-85/M-82105	20	
14	Bolt M6x12-6-B-Fe/Zn8	PN-85/M-82105	20	
15	Lock-nut with polyamide insert M10-8-A-Fe/Zn5	PN-85/M-82175	3	
16	Nut M8-6-B-Fe/Zn8	PN-86/M-82144	16	
17	Nut M6-5-B-Fe/Zn8	PN-86/M-82144	20	
18	Spring washer 14,4 Fe/Zn8	PN/M-82008	6	
19	Washer 10.5 Fe/Zn8	PN-78/M82-005	3	
20	Spring washer 10.2 Fe/Zn8	PN-77/M82-008	8	
21	Washer 8.5 Fe/Zn8	PN-78/M82-005	20	
22	Washer 6.5 Fe/Zn8	PN-59/M82-030	20	
23	Cotter pin S-Zn 4X25	PN-76/M-82001	2	
24	Pawl spring	5108/26-044	1	



Spare parts

**Rear-attached disc mower
Z108/8 – 2,5m with swath spreader**

25	Washer 17 Fe/Zn8	PN-78/M-82005	1	
26	Cotter pin S-Zn 5x25	PN-76/M-82001	1	
27	Bolt M14x30-8.8-B-Fe/Zn8	PN-85/M-82105	2	
28	Bolt M10x25-8.8-B-Fe/Zn8	PN-85/M-82105	8	